

## DuraMAC™ - Vertical Multistage Variable Speed Simplex Booster System

The DuraMAC™ Boosting system is simple, versatile, sophisticated, and reliable. The Vertical Multistage Variable Speed Booster System changes motor speed based on demands of the system, which allows users to save energy costs over traditional constant speed booster systems.

### Features:

- Easy set-up installation
- Variable speed control
- Stainless steel pump
- Energy efficient NEMA TEFC motors
- Liquid filled gauges
- Wafer check valves with soft seat
- Stainless steel base
- 2" Brass No-Lead isolation valves
- NEMA 1 enclosure
- Suction and discharge transducers
- Fused disconnect
- 2" Suction and discharge
- **Certified to:**  
NSF / ANSI 61 Section 8-2016  
NSF / ANSI 372-2016



See Pumps & Accessories Price List for Limited Warranty details.

DuraMAC™ Booster Pumps



### Models Available

Model	Description	Pump Boost	Voltage	HP
17062V080Y-1	62 PSI 230V VFD Booster	62 PSI	208 - 230 - Single Phase	3
17062V080Y-3	62 PSI 230V VFD Booster	62 PSI	208 - 230 - Three Phase	3
17084V080Y-1	84 PSI 230V VFD Booster	84 PSI	208 - 230 - Single Phase	5
17084V080Y-3	84 PSI 230V VFD Booster	84 PSI	208 - 230 - Three Phase	5
17104V080Y-1	104 PSI 230V VFD Booster	104 PSI	208 - 230 - Single Phase	5
17104V080Y-3	104 PSI 230V VFD Booster	104 PSI	208 - 230 - Three Phase	5
17150V080Y-3	150 PSI 230V VFD Booster	150 PSI	208 - 230 - Three Phase	7 1/2
17142V120Y-3	142 PSI 230V VFD Booster	142 PSI	208 - 230 - Three Phase	10
17056V120Y-1	56 PSI 230V VFD Booster	56 PSI	208 - 230 - Single Phase	5
17060V140Y-3	60 PSI 230V VFD Booster	60 PSI	208 - 230 - Three Phase	5
17088V140Y-3	88 PSI 230V VFD Booster	88 PSI	208 - 230 - Three Phase	7 1/2

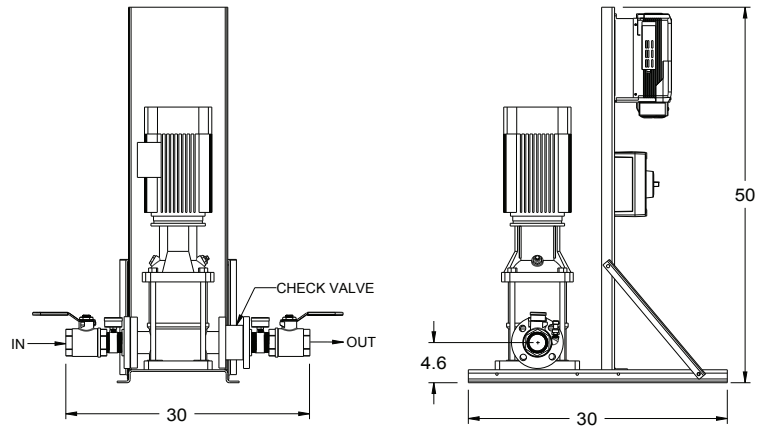
460 volt version also available

A.Y. McDonald considers the information on this sheet correct when published. Specifications are subject to change with notice.

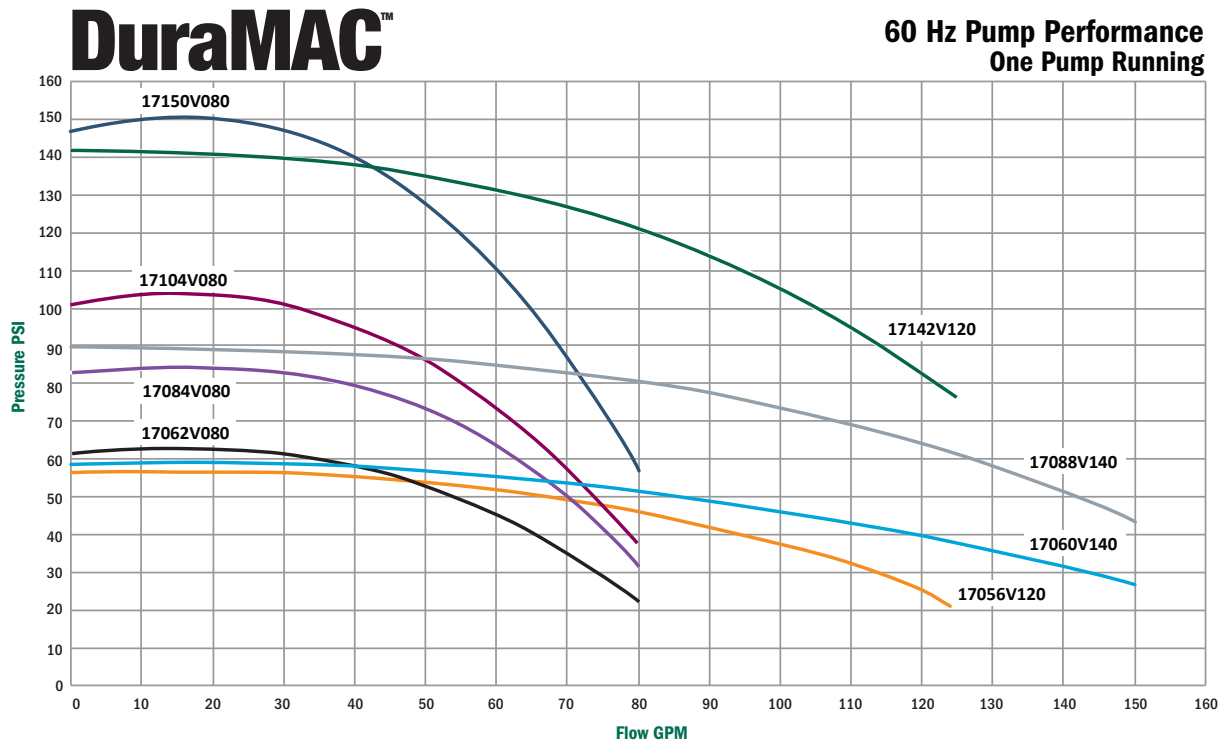
# DuraMAC™ - Vertical Multistage Variable Speed Simplex Booster System

## Control Features

- Variable speed control, speeds up and slows down based on the demand of system, maintaining a constant pressure.
- Date and time stamp for all faults.
- Better system efficiency by applying only the power needed based on the load.
- Password protected parameter settings.
- Real time clock.
- No Flow Mode - puts pump to sleep during no flow conditions.
- Low Suction Alarm to prevent the pump from running if the incoming supply of water is interrupted.
- Internal monitors prevent the pump from running if a pipe is broken or demand exceeds capability.
- Live Zero protects the pump if the transducer cable is broken or damaged.



DuraMAC™ Booster Pumps



## Materials of Construction

- Impellers	304 Stainless Steel	- Pump Seal (rotating)	Carbon / NBR
- Pump Casing Inlet	301 Stainless Steel	- Diffuser	304 Stainless Steel
- Pump Casing Outlet	301 Stainless Steel	- Base	304 Stainless Steel
- Pump Seal (stationary)	Silicon Carbide		