

## DuraMAC™ - Dual Mode Simplex

Not all boosting applications require complicated boosting systems. The DuraMAC™ Boosting system is simple, versatile, sophisticated, and reliable. With the ability to pump up to 70 GPM this unique pump is ideal for commercial or irrigation use.

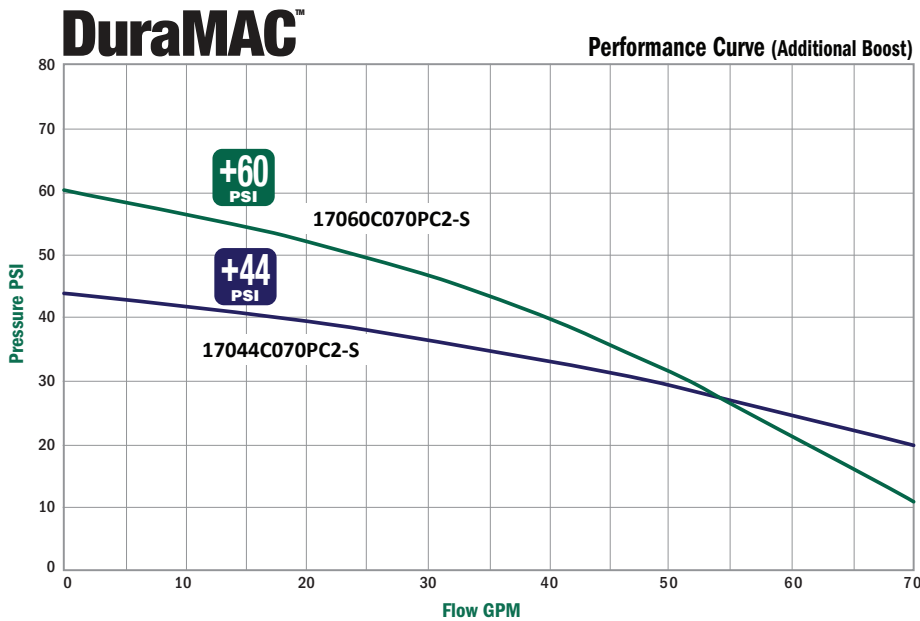
### Features:

- Easy set-up installation
- Digital control with dual modes of operation
- Durable stainless steel and no-lead brass connections
- TEFC single phase motor for quiet operation
- Electronics separated and sealed from waterway
- Pressure gauge included
- No-Lead brass check valve included
- Up to 70 GPM
- 20 gallon pressure tank included
- Stainless steel base
- Dry run protection
- Standard, 1 year from install warranty applies



See Pumps & Accessories Price List for Limited Warranty details.

DuraMAC™ Booster Pumps



### 70 Gallon / Minute (GPM) Max

DuraMAC™ Model	Description	Pump Boost	Amps	Voltage	Power	*Pressure Reducing Valve Recommended for installation with incoming pressure greater than:	Wt.
17044C070PC2-S	230V Booster System	44 PSI	7.0	230 - 60 Hz	2 HP	36 PSI	168
17060C070PC2-S	230V Booster System	60 PSI	8.0	230 - 60 Hz	2 HP	20 PSI	168

Pressure tank required. See instruction manual for sizing information.

\*Many plumbing codes do not recommend system pressure exceeding 80 PSI. Refer to local plumbing codes for maximum boosted pressure.

# DuraMAC™ - Dual Mode Simplex

## Control Features

The DuraMAC™ Dual-Mode control has the flexibility to be run in two different modes.



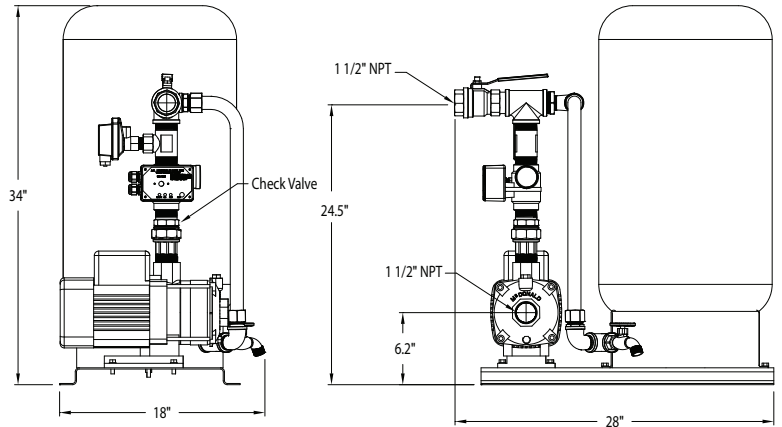
### PRESSURE MODE

**START METHOD:** Pressure Drop

**STOP METHOD:** Low Flow

In Pressure Mode, the control accurately measures pressure with a pressure transducer and starts the pump at an adjustable start pressure point. The pump will stop when the flow is less than three Gallons per Minute.

This smart system will only run the pump when water is in use. There is a preset seven second delay after water is not flowing past the flow sensor to fully pressurize your system and eliminate water hammer.



Simplex base mounted with 20 gallon tank.



### FLOW MODE

**START METHOD:** Water Flow

**STOP METHOD:** Low Flow

In Flow Mode, the control will start and stop on flow, regardless of pressure. This method can be used for systems with minor leaking or when incoming pressure varies. The starting flow rate is approximately five Gallons per Minute. The pump will stop when the flow is less than three Gallons per Minute.

DuraMAC™ Booster Pumps

## Materials of Construction

- Impellers	304 Stainless Steel
- Pump Casing Inlet	301 Stainless Steel
- Pump Casing Outlet	301 Stainless Steel
- Pump Seal (stationary)	Silicon Carbide
- Pump Seal (rotating)	Carbon / NBR
- Diffuser	304 Stainless Steel
- Union Connection	No-Lead Brass
- Check Valve	No-Lead Brass
- Pump Control	No-Lead Brass
- Motor - Single Phase	2 HP TEFC
- Base	304 Stainless Steel

