

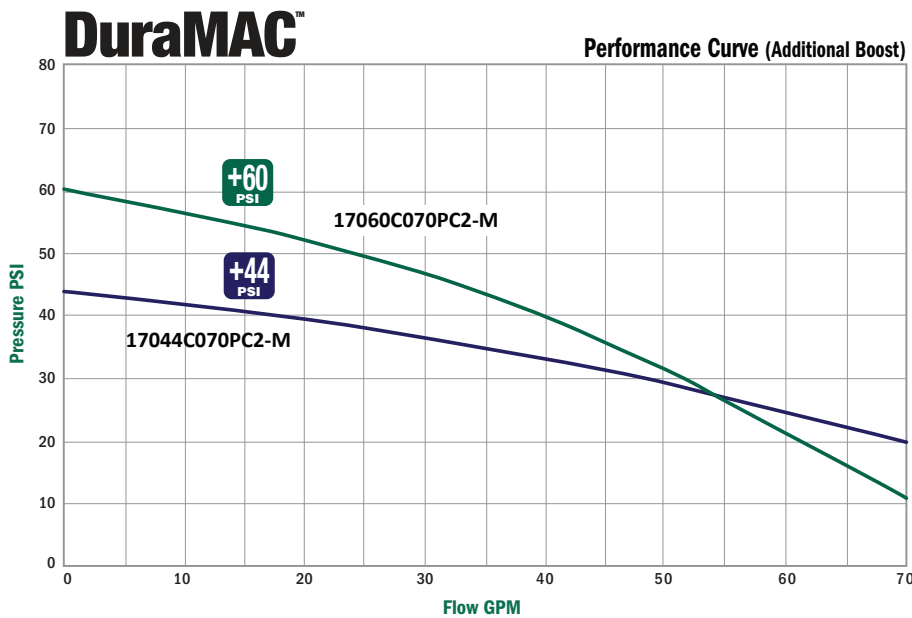
DuraMAC™ - Dual Mode Modular

Not all boosting applications require complicated boosting systems. The DuraMAC™ Boosting system is simple, versatile, sophisticated, and reliable. With a quick and easy installation, and unique digital control featuring dual modes of operation, this pump can meet your unique commercial or irrigation needs.

Features:

- Easy set-up installation
- Digital control with dual modes of operation
- Durable stainless steel and no-lead brass connections
- TEFC single phase motor for quiet operation
- Electronics separated and sealed from waterway
- Pressure gauge included
- No-Lead brass check valve included (meets no-lead compliance)
- Standard, 1 year from install warranty applies

See Pumps & Accessories Price List for Limited Warranty details.



70 Gallon / Minute (GPM) Max

DuraMAC™ Model	Description	Pump Boost	Amps	Voltage	Power	*Pressure Reducing Valve Recommended for installation with incoming pressure greater than:	Wt.
17044C070PC2-M	230V Booster System	44 PSI	7.0	230 - 60 Hz	2 HP	36 PSI	56
17060C070PC2-M	230V Booster System	60 PSI	8.0	230 - 60 Hz	2 HP	20 PSI	56

Pressure tank required. See instruction manual for sizing information.

*Many plumbing codes do not recommend system pressure exceeding 80 PSI. Refer to local plumbing codes for maximum boosted pressure.

DuraMAC™ - Dual Mode Modular

Control Features

The DuraMAC™ Dual-Mode control has the flexibility to be run in two different modes.



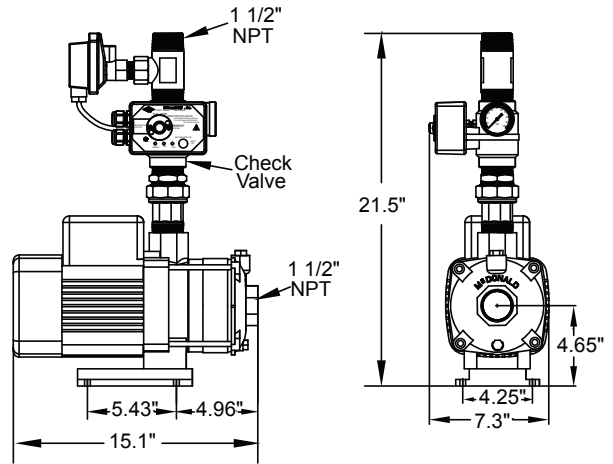
PRESSURE MODE

START METHOD: Pressure Drop

STOP METHOD: Low Flow

In Pressure Mode, the control accurately measures pressure with a pressure transducer and starts the pump at an adjustable start pressure point. The pump will stop when the flow is less than three Gallons per Minute.

This smart system will only run the pump when water is in use. There is a preset seven second delay after water is not flowing past the flow sensor to fully pressurize your system and eliminate water hammer.



Dual-Mode Modular Shown.
Skid mounted Simplex and Duplex available.



FLOW MODE

START METHOD: Water Flow

STOP METHOD: Low Flow

In Flow Mode, the control will start and stop on flow, regardless of pressure. This method can be used for systems with minor leaking or when incoming pressure varies. The starting flow rate is approximately five Gallons per Minute. The pump will stop when the flow is less than three Gallons per Minute.

DuraMAC™ Booster Pumps

Materials of Construction

- Impellers	304 Stainless Steel
- Pump Casing Inlet	301 Stainless Steel
- Pump Casing Outlet	301 Stainless Steel
- Pump Seal (stationary)	Silicon Carbide
- Pump Seal (rotating)	Carbon / NBR
- Diffuser	304 Stainless Steel
- Union Connection	No-Lead Brass
- Check Valve	No-Lead Brass
- Pump Control	No-Lead Brass
- Motor - Single Phase	2 HP TEFC

