

## 92000 & 93000 Series - Workhorse End Suction Centrifugal Pumps

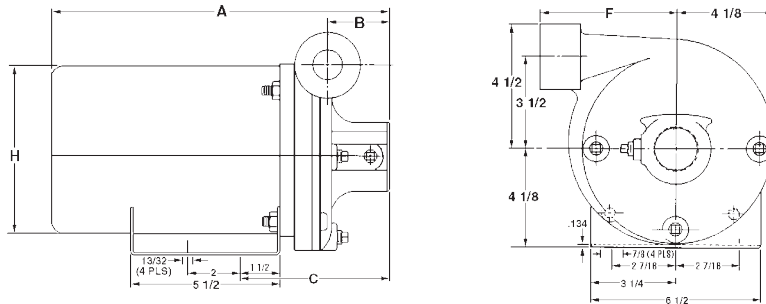
A.Y. McDonald Mfg. Co. 92000 & 93000 Series Centrifugal Pumps cover a wide range of applications. Ideal for booster systems, farms, industry, lawn sprinkling, irrigation, air conditioning, tower cooling, and other water transfer applications.

### Features:

- Heavy duty cast iron construction
- Quality Nema standard square flange motor
- Precision molded Noryl impeller (no-lead bronze available)
- Four position discharge with three drain ports
- Easy serviceability with rear pull out design, no need to disturb plumbing
- 175° maximum



### Dimensions



**NOTE:** Four position discharge - vertical or horizontal.  
Air volume control tapping - optional on suction side of pump.

### Specifications - Single Phase

Model No.	HP	Voltage & Phase	Ports		A	B	C	F	H	Packing Dimen. Inches	Weight Lbs
			Suct.	Disch.							
92030	1/3	115 / 230 / 1	1 1/4"	1"	15.40	2.35	6.10	4.35	5.60	15.5 x 8.5 x 10	36
92050	1/2	115 / 230 / 1	1 1/4"	1"	15.40	2.35	6.10	4.35	5.60	15.5 x 8.5 x 10	36
92070	3/4	230 / 115 / 1	1 1/4"	1"	15.90	2.35	6.10	4.35	5.60	16.5 x 9.5 x 10	36
92100	1	230 / 115 / 1	1 1/4"	1"	16.40	2.35	6.10	4.35	5.60	16.5 x 9.5 x 10	38
92150	1 1/2	230 / 115 / 1	1 1/4"	1"	16.60	2.35	6.10	4.35	5.60	16.5 x 9.5 x 10	42
92200	2	230 / 1	1 1/2"	1 1/4"	18.15	2.90	6.75	4.70	6.30	18.25 x 9.5 x 10	43
92250	2 1/2	230 / 1	2"	1 1/2"	18.15	2.90	6.75	4.70	6.30	18.25 x 9.5 x 10	43
92300	3	230 / 1	2"	1 1/2"	18.15	2.90	6.75	4.70	6.30	18.25 x 9.5 x 10	54

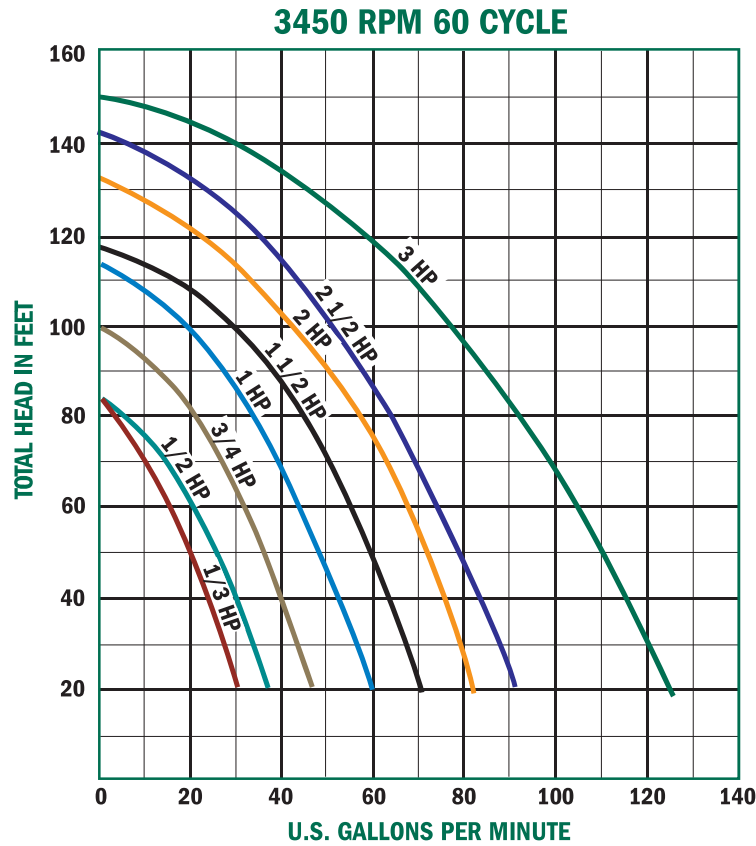
### Specifications - Three Phase

Model No.	HP	Voltage & Phase	Ports		A	B	C	F	H	Packing Dimen. Inches	Weight Lbs
			Suct.	Disch.							
93050	1/2	230 / 3	1 1/4"	1"	15.40	2.35	6.10	4.35	5.60	15.5 x 8.5 x 10	32
93070	3/4	230 / 3	1 1/4"	1"	15.90	2.35	6.10	4.35	5.60	16.5 x 9.5 x 10	34
93100	1	230 / 3	1 1/4"	1"	16.40	2.35	6.10	4.35	5.60	16.5 x 9.5 x 10	37
93150	1 1/2	230 / 3	1 1/4"	1"	16.60	2.35	6.10	4.35	5.60	16.5 x 9.5 x 10	41
93200	2	230 / 3	1 1/2"	1 1/4"	18.15	2.90	6.75	4.70	6.30	18.25 x 9.5 x 10	48
93300	3	230 / 3	2"	1 1/2"	18.15	2.90	6.75	4.70	6.30	18.25 x 9.5 x 10	58

Three Phase -- 208/230/460V, just need to change the wires for the desired voltage.  
Factory set voltage in bold.

# 92000 & 93000 Series - Workhorse End Suction Centrifugal Pumps

## Performance Curves



- Tested at 2 ft. lift

Model	92100	92150	92200	92250	92300
PEI	0.73	0.75	0.83	0.99	0.75
Imp. Dia. (in)	5.33	5.32	5.88	6.06	6.11

## Performance (GPM)

Model No.	HP	Total Head in FT.												Max Head FT/PSIG	
		30	40	50	60	70	80	90	100	110	120	130	140		
92030	1/3	28	23	20	16	10									84' / 36#
93030															
92050	1/2	33	30	26	21	14								83' / 36#	
93050															
92070	3/4	42	40	36	31	28	21	11						100' / 43#	
93070															
92100	1	57	52	49	42	39	32	28	19					113' / 48#	
93100															
92150	1 1/2	68	62	60	55	50	43	38	30	18				118' / 51#	
93150															
92200	2	79	76	73	69	63	58	50	41	32	22			132' / 57#	
93200															
92250	2 1/2		84	79	75	70	65	59	52	45	35	24		142' / 61#	
93200															
92300	3		115	110	103	98	91	85	78	69	59	46	30	150' / 65#	
93300															
Model No.	HP	13	17	21	26	30	34	39	43	47	52	56	60		
		PSI													