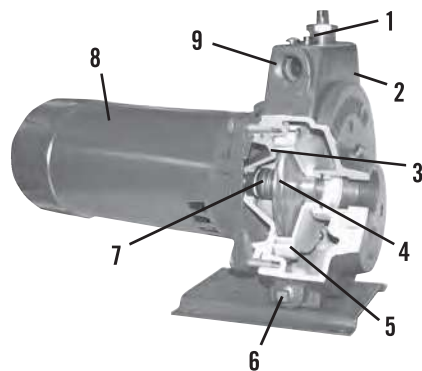


8600SW Series Convertible Centrifugal Pumps

The convertible centrifugal pump is ideal for lawn sprinkling, garden irrigation, pool filling, draining, cooling towers, and other water transfer applications. The square flange construction has a high service factor rating for continuous operation. The 8600SW pump has a capacity to 65 gallons per minute (GPM), and requires no maintenance.

Features:

- Self-priming under normal conditions
- Time proven 5/8" mechanical seal
- Pressure to 40 PSI / 92 feet head
- For shallow wells, lakes, streams, or booster systems



- 1 - **Internal Regulating Valve**
(Manual adjustment for deep well only)
- 2 - **Cast Iron Pump Body**
- 3 - **Seal / Condensation Plate**
Provides air gap between motor & water chamber
- 4 - **Impeller**
Available in engineered polycarbonate thermoplastic
- 5 - **Diffusers**
Multi-volute engineered thermoplastic diffuser for maximum capacity and pressure
- 6 - **Drain Plug**
- 7 - **Shaft Seal**
Standard 5/8" ceramic carbon rotating mechanical seal
- 8 - **High Service Factor, Capacitor Start, Threaded Shaft, Square Flange Motor**
Built to Nema specifications by nationally known manufacturers to assure local service availability. Choice of 1/3, 1/2, 3/4, & 1 HP. 50 Hz. or 60 Hz.
- 9 - **Zinc Plated Plug**
(With Pressure Gauge Tap and 1/4" plug)

Performance

Model No.	HP	Suction Lift - FT.	Capacities in GPM at Discharge Pressure							Max. Shut off pressure PSI / FT.
			5# / 12'	10# / 23'	15# / 35'	20# / 46'	25# / 58'	30# / 69'	35# / 81'	
8650SW	1/2	10	52	49.5	47	39.5	25	10.8	--	34# / 78'
		20	46.5	45.5	40.5	28	11.5	--	--	30# / 69'
8670SW	3/4	10	60	60	57.8	56	51.5	40	--	38# / 88'
		20	52	52	52	50	41	19.3	--	34# / 78'
8610SW	1	10	65	65	62.8	60.8	57	50	41.5	42# / 97'
		20	54	54	53.5	52.5	48	41	26	38# / 88'

Specifications

Model No.	HP	Volts	Pipe Sizes		Ship WT. (lbs.)
			Suction	Discharge	
8650SW	1/2	115 / 230	1 1/4"	1"	40#
8670SW	3/4	230 / 115	1 1/4"	1"	42#
8610SW	1	230 / 115	1 1/4"	1"	46#

- **Suction Pipe** = 1 1/4" NPT. For best results increase to 2" NPT within 6" of pump intake.
 - **Discharge Pipe** = 1" NPT. For best results increase to 1 1/2" NPT within 6" of pump outlet using priming plug opening.
 - Maximum allowable operating pressure = 100 PSIG (as a booster pump, for example).
- NOTE:** Standard 8600 series pumps, with pressure switch, may also be used with these applications and if the 3/4" top discharge tapping is increased to 1 1/2" NPT similar, but slightly less, capacity will be obtained.