

84000 Series Self-Priming Centrifugal Pumps

The A.Y. McDonald 84000 Series Centrifugal Pumps is designed for both high pressure and high capacity to cover a wide range of applications. These portable units are ideal for lawn and turf sprinkling, garden irrigation, pool filling, and can be used as standby pumps for fire protection, as well as other commercial uses. Individually balanced heavy-duty cast iron impellers handle silt and muddied water with a minimal effort.

84000 Series pumps are suitable for installation where the vertical distance from the pump to the water level does not exceed 25 feet. In all installations, friction losses in the suction pipe must be taken into consideration.

This series is available in three and five horsepower (HP).

The single phase motors are 230 volt only.

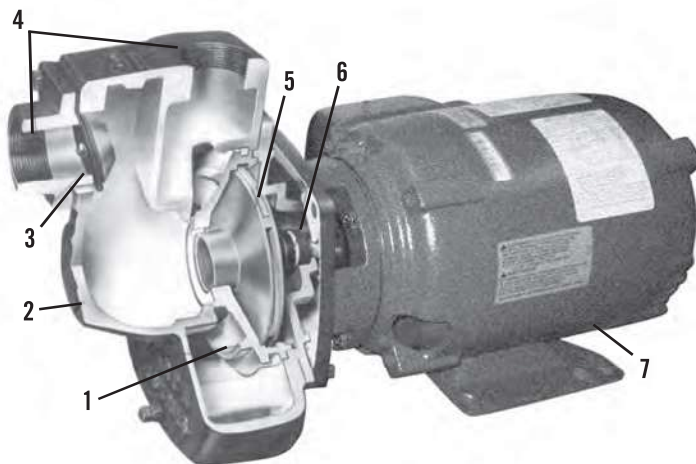
Three phase motors are also available for three and five horsepower (HP) and require thermal overloads to be installed separately.

Complete unit includes pump, motor, and suction check valve for positive priming.



Features:

- Residential and industrial uses
- Capacities to 170 GPM
- Heads to 171 ft. or pressure to 74 PSI
- Self-adjusting mechanical seal
- Needs no lubrication
- No foot valves or priming devices needed
- All units have built-in check valve
- Minimal operation costs
- Three phase available, contact factory

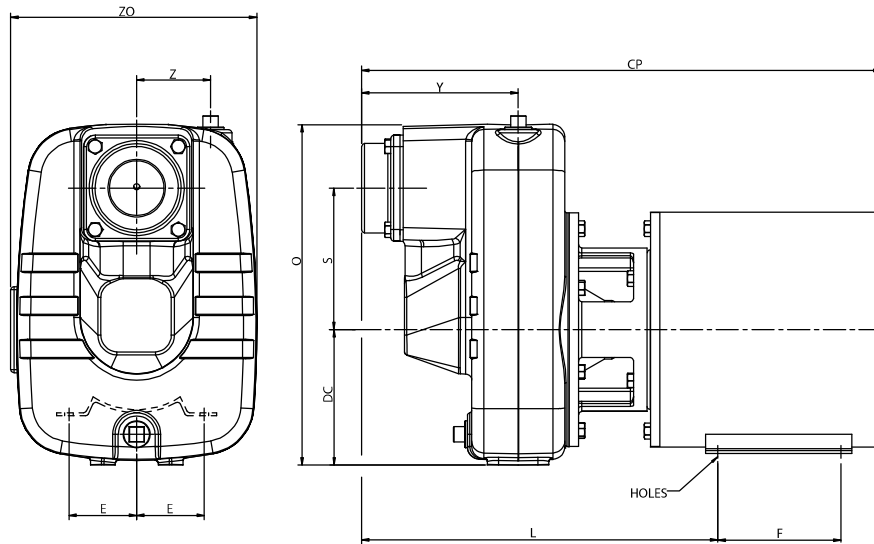


- 1 - Diffuser
Cast Iron
- 2 - Casing
Cast Iron
- 3 - Built-in Check Valve
- 4 - Discharge & Suction
- 5 - Impeller - Cast Iron
- 6 - Seal
- 7 - Motors
J M Frame design on 3 & 5 HP

Specifications

Model No.	HP	Volts	Phase	Impeller Material	Suction NPT	Full Load Amps	Discharge NPT	Ship WT. (lbs.)
84300	3	208 / 230	1	Cast Iron	2"	13.5	2"	136
84500	5	208 / 230	1	Cast Iron	2 1/2"	21.5	2"	146

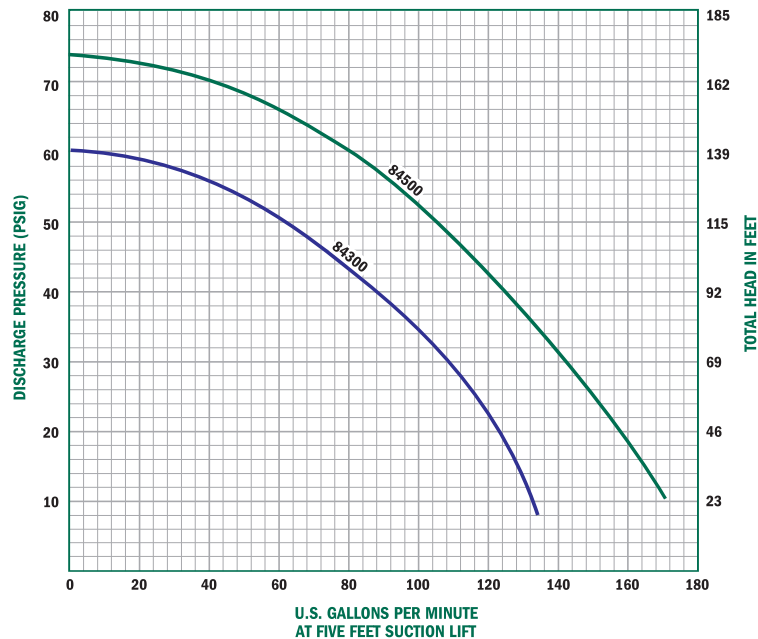
84000 Series Self-Priming Centrifugal Pumps



Dimensions

Model	Suction	Discharge	CP	D	DC	E	F	Inches						
								H	L	O	S	Y	Z	ZO
84300	2 NPT	2 NPT	23.25	4.50	5.00	3.74	5.00	.44	14.75	13.25	6.00	6.38	3.00	9.75
84500	2 1/2 NPT	2 NPT	23.38	4.50	5.56	3.75	2.75	.40	15.12	13.88	5.75	6.38	3.00	9.75

*84300 & 84500 Model have a "JM" face motor connection (not shown).



Performance

Model No.	HP	Suction Lift - FT.	Capacities in GPM at Discharge Pressure						Max. Shut off pressure
			10	20	30	40	50	60	
84300	3	10	120	117	102	80	48	59 PSIG	
		20	88	86	82	68	26		
84500	5	10	145	138	126	115	97	65	74 PSIG
		20	105	104	100	95	77	47	