

Product Highlights

- The LL158 Series produces an oblique (30°) line of illumination for line scan applications in a passively cooled design.
- When oriented across a moving web or conveyor line, unlike standard line lights, this linear light's unique geometry highlights engraved or raised lines that run parallel to the material travel.



General Specifications

	Color	24V Current	All Other Controls
Electrical Specifications	625	0.70 A per 6"	0.70 A Max per 6"
	470, 530, WHI	0.76 A per 6"	0.76 A Max per 6"
Normal Operating Temperature	0 - 60°C		
Weight	1211.1g (42.72oz) Per 12"		
Standard Cable Information	2 m long -0/+150 mm (80" -0/+6") - 105°C rated jacket, foil shield with drain.		
Photobiological Risk Factor	Group 1 (Low Risk) Applicable Wavelengths: 470, 530, 625, WHI		
Compliance	CE, RoHS, IEC 62471		
IP Rating	IP50		
Lumen Maintenance	L70 = 50,000 Hours		

Part Number Key

Model	Emitting Length (in)	-	Peak Wavelength	Connector/ Control
LL158	XX	-	XXX	XX
LL158	06" increments from 06" to 90"		470 (blue) 530 (green) 625 (red) WHI (white)	C1 24
EX: LL15812-455C1 LL15824-WHI24				

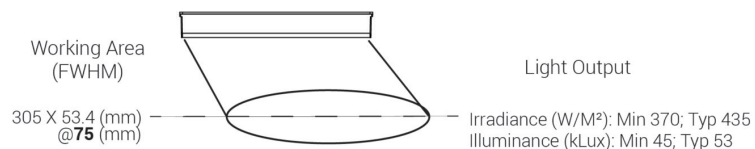
See website product page for in-stock product numbers.

Shipping:

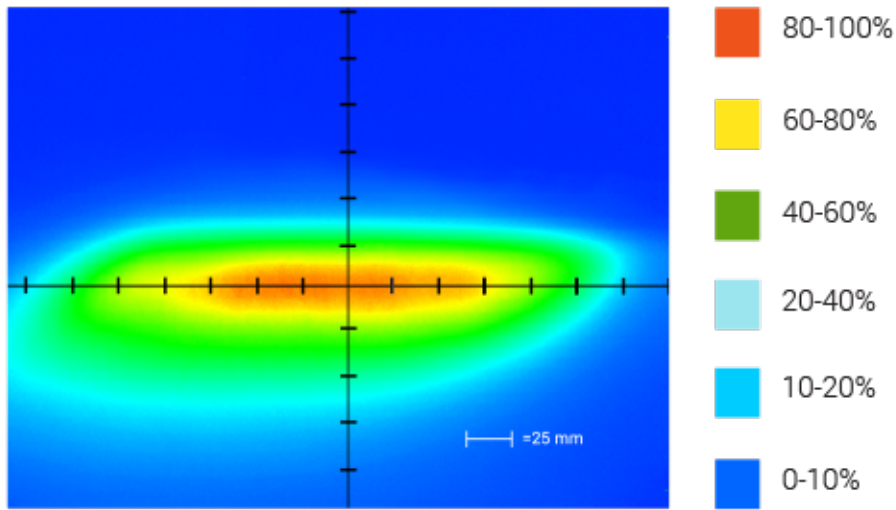
Stock Products: within three days

Build-to-Order Products: within one to three weeks

Optical Specs



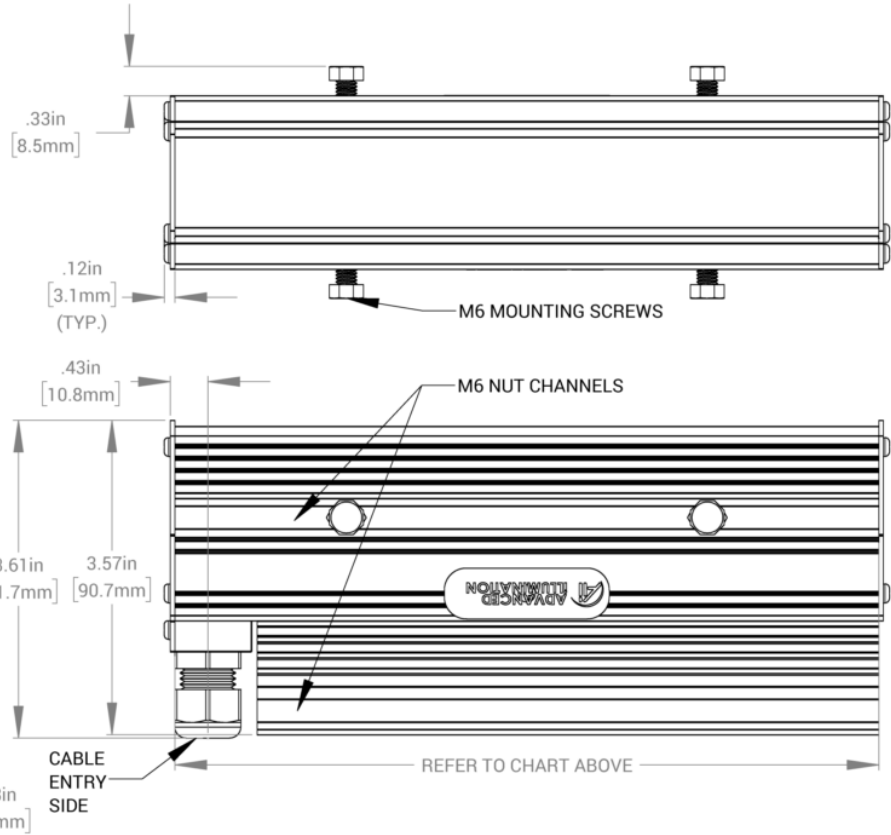
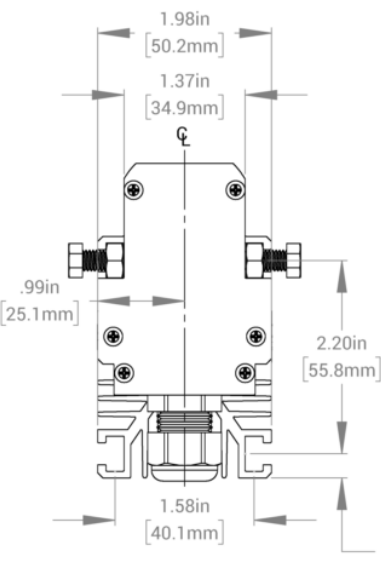
Intensity Distribution



Optical measurement taken using LL15812-62524 @ 75 mm

Mechanical Specs

LL158 LENGTH MATRIX	
PART #	LENGTH IN INCHES (mm)
LL15806	8.0 (203 mm)
LL15812	14.0 (356 mm)
LL15818	20.0 (508 mm)
LL15824	26.0 (660 mm)
LL15830	32.0 (812 mm)
LL15836	38.0 (965 mm)
LL15842	44.0 (1118 mm)



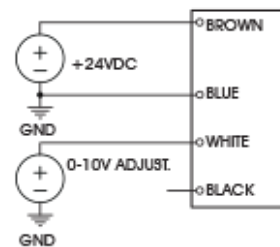
Electrical Specs

24 Volt

Function	Wire Color
+24v DC	Brown
0-10v DC Analog Control	White
GND	Blue
N/A	Black

The entire light's intensity can be controlled via external 0-10 V analog controller using the white wire

0-10V ANALOG CONTROL LINEAR OUTPUT ADJUST



Control Specs

C1 Connector	24
<i>For use with:</i> DCS Series Controllers	<i>Flying/tinned leads</i> <i>Powered with:</i> 24V power supply

Warranty Information

Every Advanced illumination, Inc. (Ai) product is thoroughly inspected and tested before leaving the factory. Products are warranted to be free of defects in workmanship and materials for a period of FIVE YEARS from the original date of purchase. Should a defect develop during this period, customers may return the complete product, freight prepaid, to one of Ai's distributors or to the Ai factory. All product warranty returns require a Return Merchandise Authorization (RMA) number which is obtained from Customer Service. The RMA number must be clearly marked on the outside of the package. Ai will inspect the unit, and if a defect is found will, at our option, repair or replace the product without charge. Ai disclaims liability for any implied warranties, including implied warranties of "merchantability" and "fitness for a specific purpose." For products under warranty that have since been discontinued, Ai will make an effort to replace with equivalent parts; for circumstances that do not allow for equivalent replacement, Ai reserves the right to repair or replace these products with an updated version. Ai cannot be held responsible for the unauthorized or inappropriate use of its products. Any unauthorized repair or modifications will result in a voided warranty.

No Liability for Consequential Damages: In no event shall Ai be liable for any consequential, special, incidental, or indirect damages of any kind arising from the sale or use of the products.

Electromagnetic Compatibility

This product was tested and complies with the regulatory requirements and limits for electromagnetic compatibility (EMC) as stated in the product specifications. These requirements and limits are designed to provide reasonable protection against harmful interference only when the product is operated in its intended industrial electromagnetic environment. To minimize the potential for electromagnetic interference or unacceptable performance degradation, install and use this product in strict accordance with the instructions in the product documentation.

Customer Service

For information on existing orders, or to make an order adjustment, contact us Monday through Friday 8:00 am to 5:00 pm ET or send an email to orders@advancedillumination.com.

Company Information

Advanced Illumination

440 State Garage Road, Rochester, VT 05767

Phone: 802.767.3830

Fax: 802.767.2636

Email: info@advancedillumination.com

Web: advancedillumination.com

© 2021 Advanced illumination Inc. All rights reserved