

Product Highlights

- The DL225 series of square coaxial lights features a modular heat sink and circuit design for enhanced performance, product availability and lead time.



General Specifications

	Part Number	Color	24V Current	All Other Controls
Electrical Specifications	DL225-025	365, 375, 385, 395, 405	N/A	0.09 A Max
	DL225-025	590, 625	0.06 A	0.12 A Max
	DL225-025	455, 470, 530, WHI	0.06 A	0.15 A Max
	DL225-025	850	N/A	0.08 A Max
	DL225-025	940	N/A	0.08 A Max
	DL225-050	365, 375, 385, 395, 405	0.035 A	0.24 A Max
	DL225-050	625	0.12 A	0.24 A Max
	DL225-050	590	0.12 A	0.24 A Max
	DL225-050	455, 470, 530, WHI	0.24 A	0.27 A Max
	DL225-050	850	N/A	0.22 A Max
	DL225-050	940	0.35 A	0.22 A Max
	DL225-075	365, 375, 385, 395, 405	N/A	0.46 A Max
	DL225-075	590, 625	0.54 A	0.40 A Max
	DL225-075	455, 470, 530, WHI	0.54 A	0.55 A Max
	DL225-075	850	0.35 A	0.55 A Max
	DL225-075	940	N/A	0.55 A Max
	DL225-100	365, 375, 385, 395, 405	1.4 A	0.85 A Max
	DL225-100	625	0.48 A	0.96 A Max
	DL225-100	590	0.48 A	.96 A Max
	DL225-100	455, 470, 530, WHI	0.96 A	0.85 A Max
	DL225-100	850	0.7 A	0.8 A Max
	DL225-100	940	1.4 A	0.8 A Max
	DL225-150	365, 375, 385, 395, 405	2.1 A	1.19 A Max
	DL225-150	590, 625	1.08 A	1.09 A Max
	DL225-150	455, 470, 530, WHI	2.16 A	1.09 A Max
	DL225-150	850	1.05 A	1.05 A Max
	DL225-150	940	2.1 A	1.05 A Max

Normal Operating Temperature 0 - 60°C

Weight	DL225-025: 187.89g (6.62oz) (.414lb) DL225-050: 351.90g (12.4oz) (.776lb) DL225-075: 818.30g (28.9oz) (1.80lb) DL225-100: 1396.2g (49.3oz) (3.08lb) DL225-150: 2863.1g (101oz) (6.32lb)
Standard Cable Information	2 m long -0/+150 mm (80" -0/+6") - 105°C RATED PVC JACKET, FOIL SHIELD WITH DRAIN.
Photobiological Risk Factor	Exempt Applicable Wavelengths: 850, 940 Group 1 (Low Risk) Applicable Wavelengths: 455, 470, 530, 590, 625, WHI Group 2 (Moderate Risk) Applicable Wavelengths: 365, 375, 385, 395, 405
IP Rating	IP50
Lumen Maintenance	L70 = 50,000 Hours

Part Number Key

Model	—	Emitting Length and Width (mm)	Peak Wavelength	Connector/Control	—	Alternative Connector
DL225	—	XXX	XXX	XX	—	XXX
DL225		025	365 (UV)	C1		M8 ¹
		050	375 (UV)	C5		M12 ¹
		075	385 (UV)	IC		
		100	395 (UV)	I3		
		150	405 (violet)	I3S		
			455 (royal blue)	24		
			470 (blue)			
			530 (green)			
			590 (amber)			
			625 (red)			
			850 (IR)			
			940 (IR)			
			WHI (white)			
EX:		¹ Available with IC, I3, I3S, and 24 V options only				
DL225-050470C1						
DL225-150WHIC-M12						

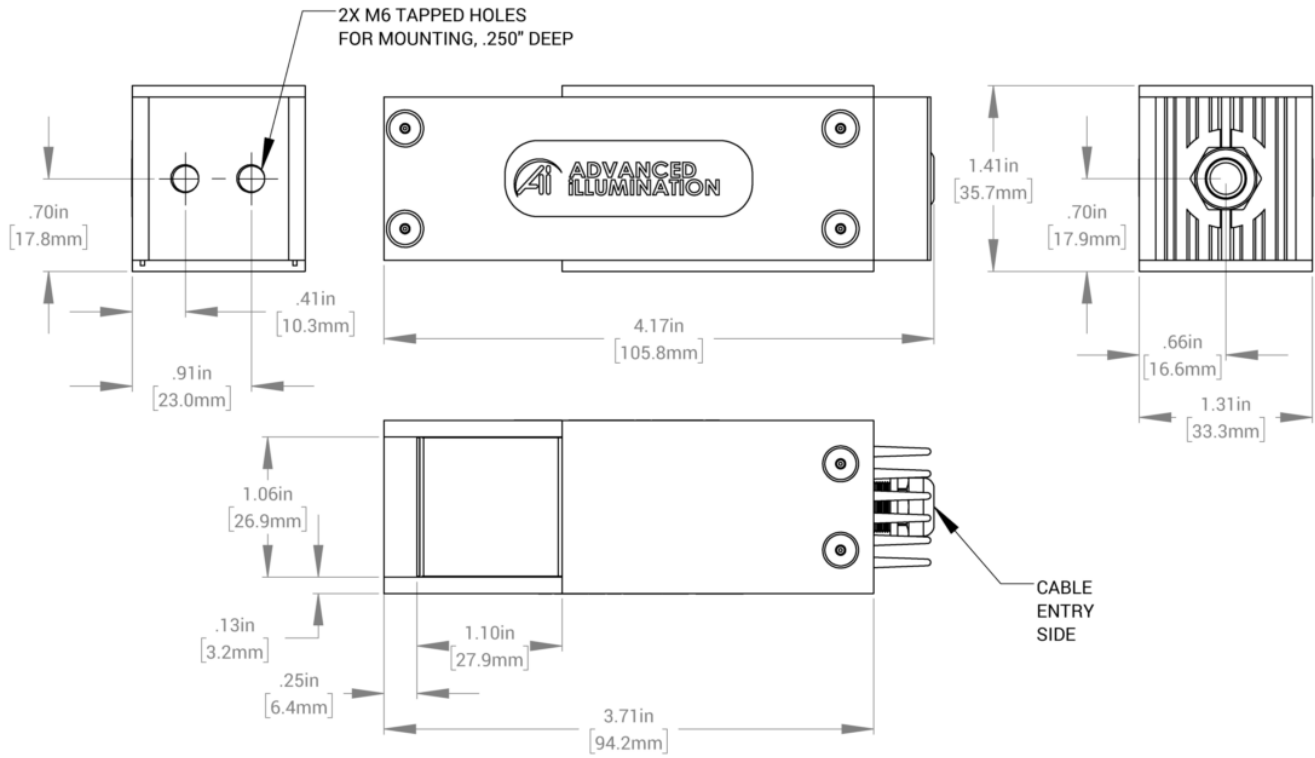
See website product page for in-stock product numbers.

Shipping:

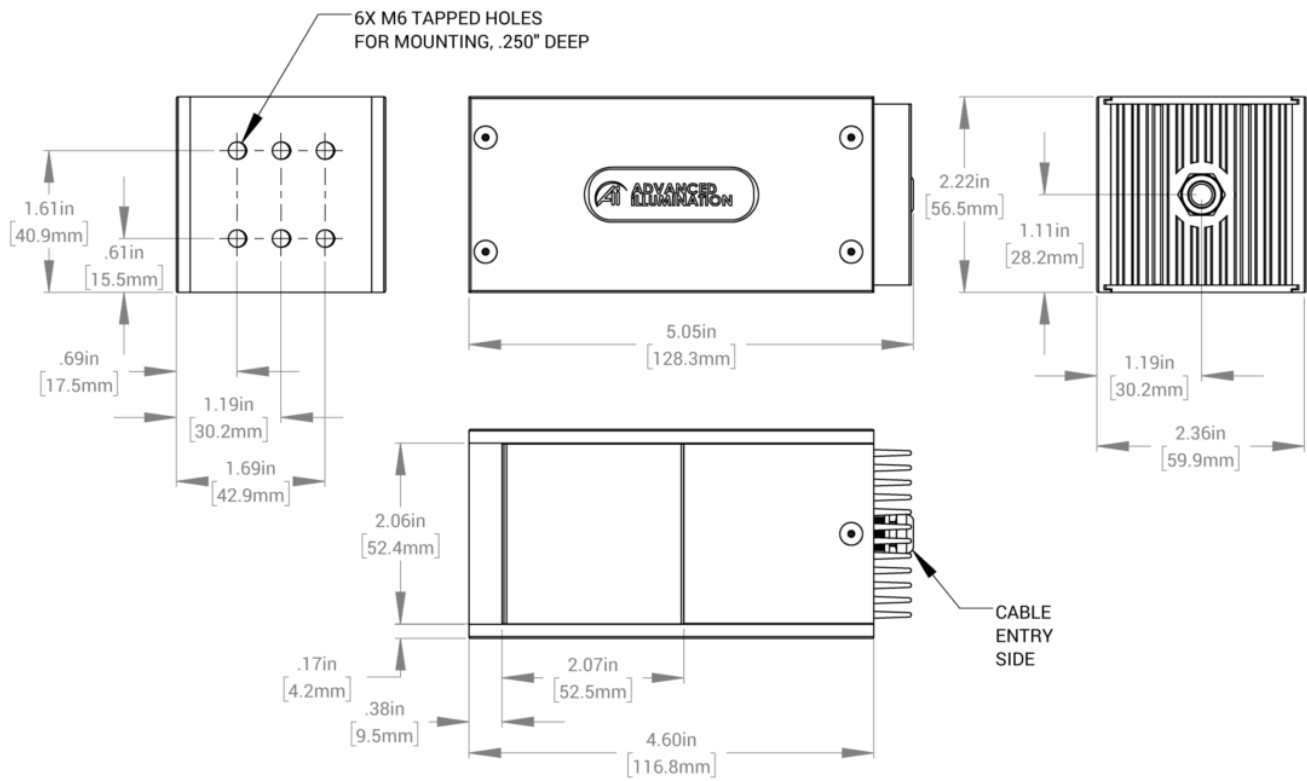
Stock Products: within three days

Build-to-Order Products: within one to three weeks

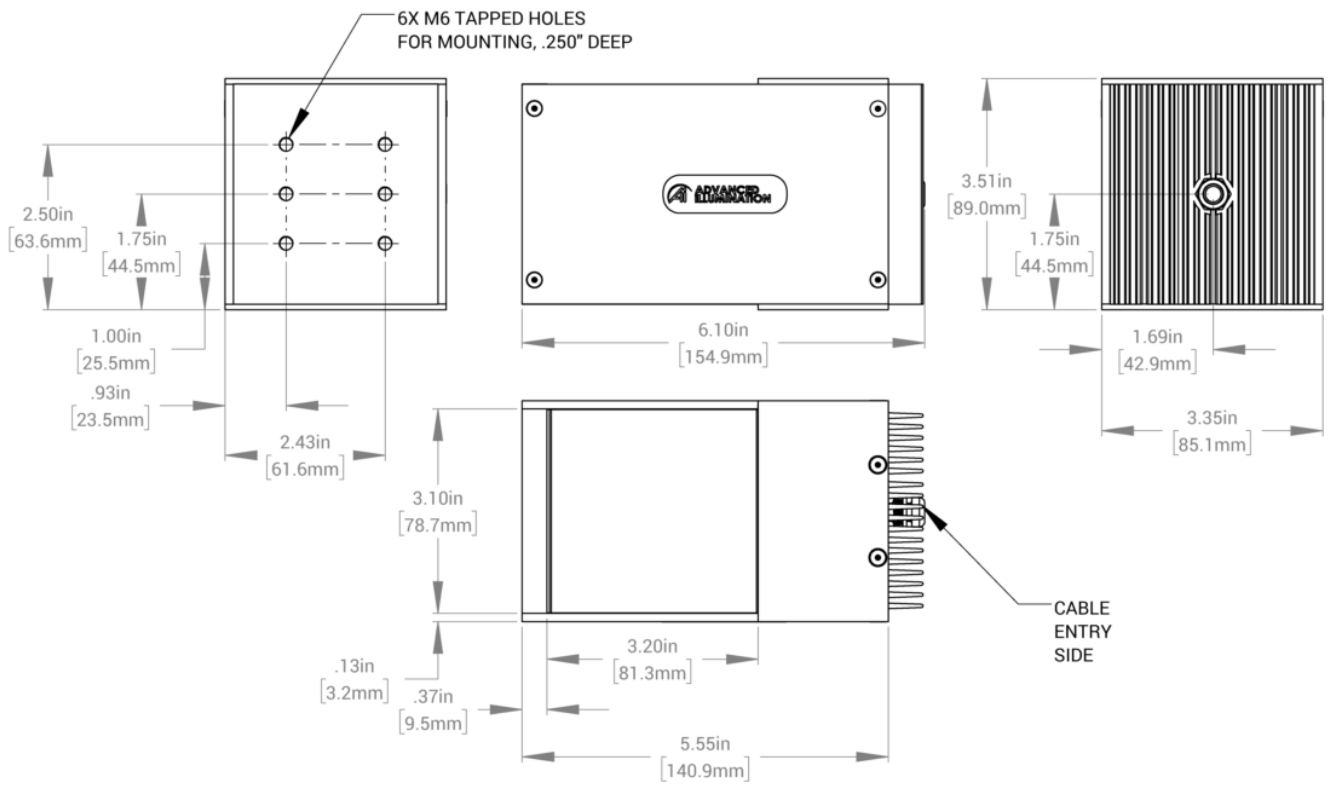
[DL225-025]



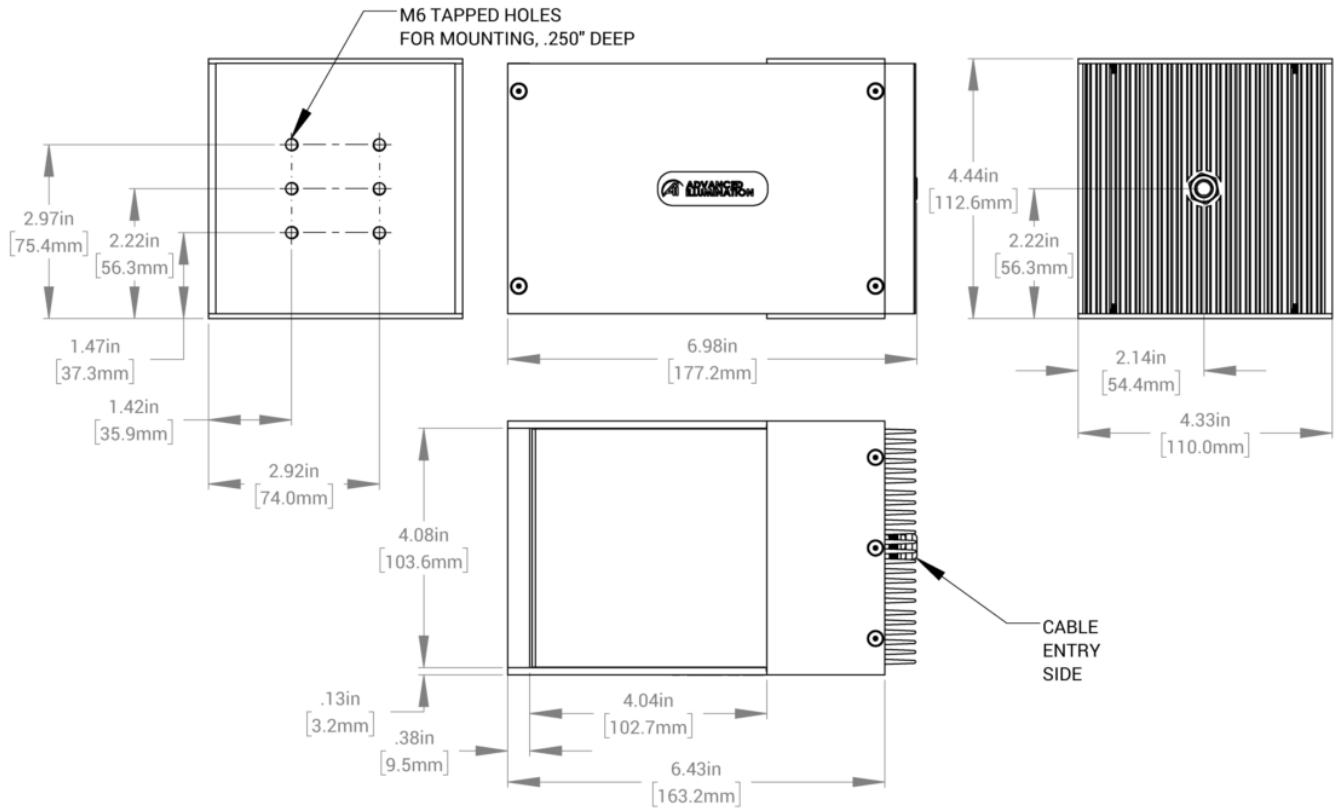
[DL225-050]



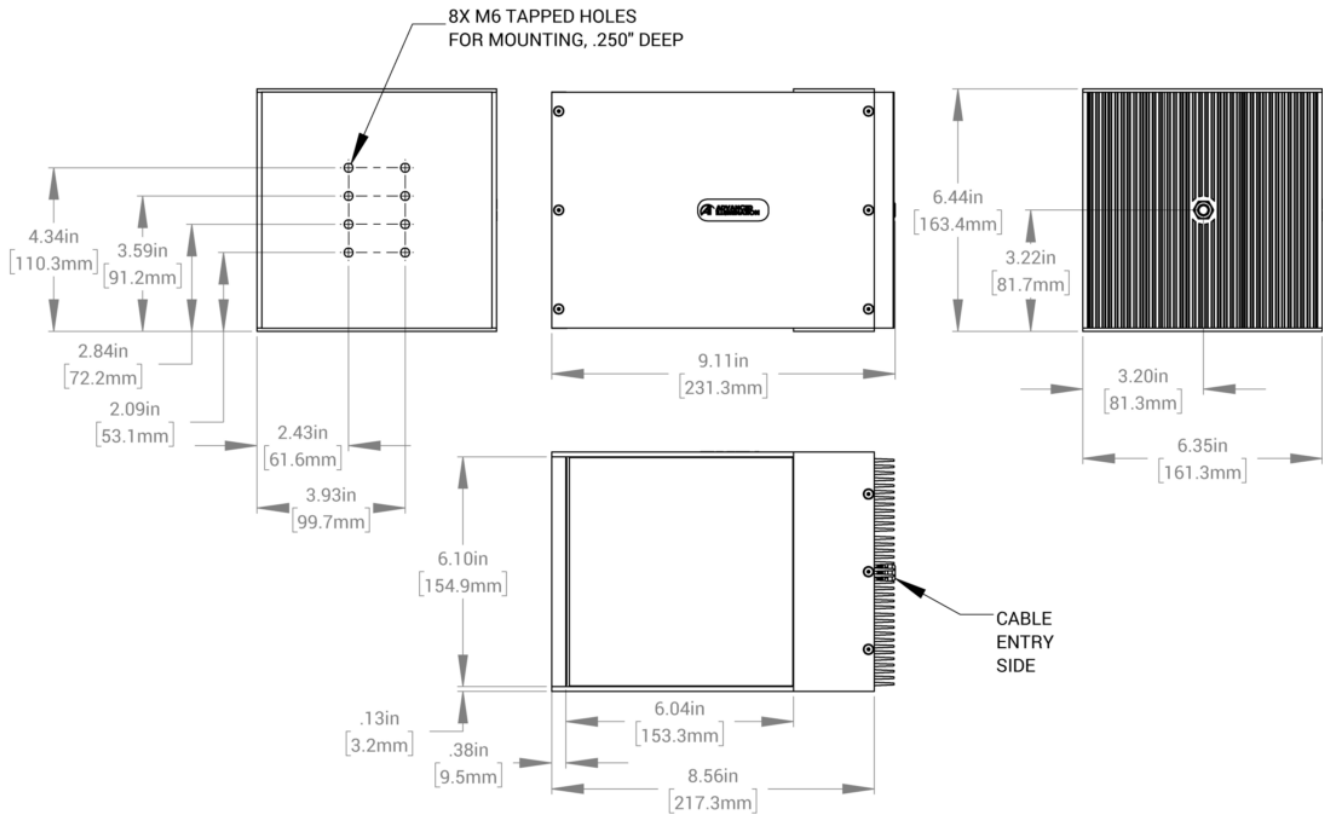
[DL225-075]



[DL225-100]



[DL225-150]

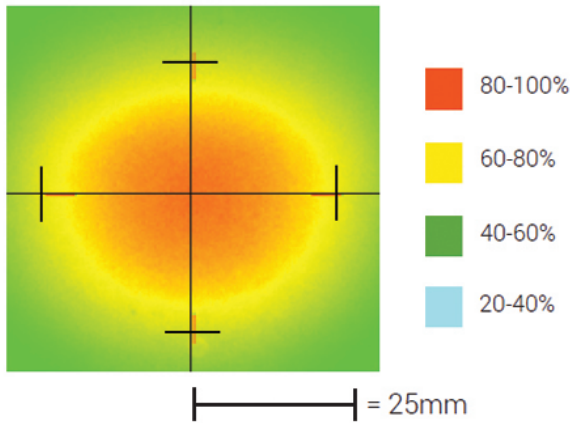


Control Specs

C1 Connector	C5 Connector	IC	I3	I3S	24
<i>For use with:</i> DCS Series Controllers	<i>For use with:</i> Pulsar 320 Strobe Controller.	Continuous in-line controller <i>Powered with:</i> 24V power supply	Combination strobe/continuous in-line controller <i>Powered with:</i> 24V power supply	Default-OFF strobe/continuous in-line controller <i>Powered with:</i> 24V power supply	Flying/tinned leads <i>Powered with:</i> 24V power supply

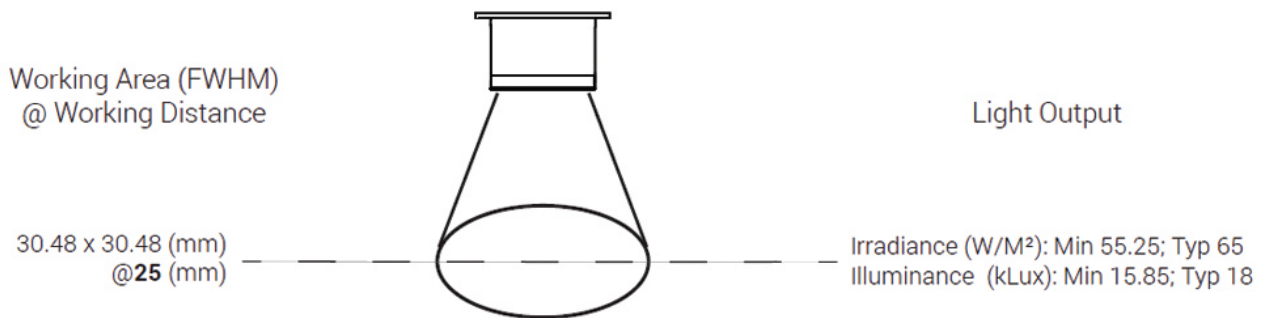
DL225-025

Intensity Distribution



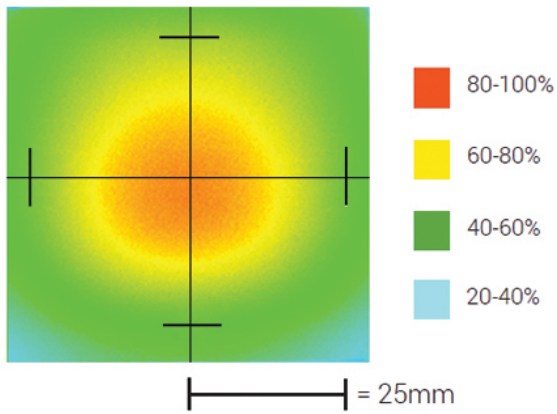
Optical measurement taken using DL225-025WHIIC @ 25 mm

Area of Illuminance & Intensity



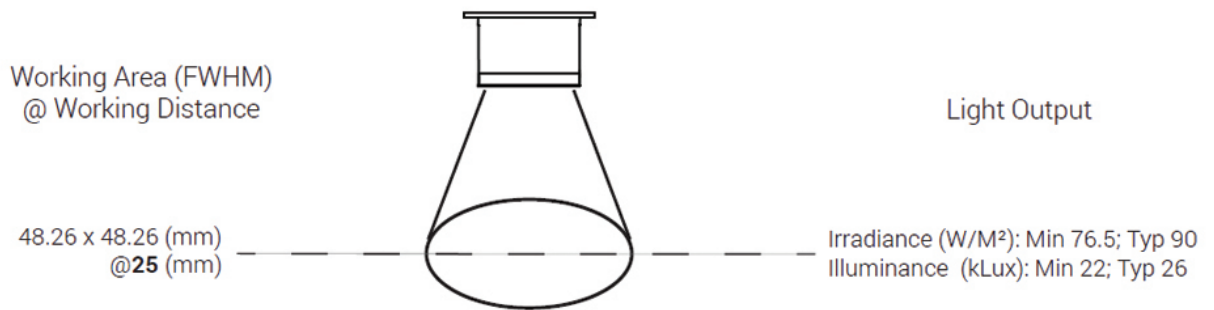
DL225-050

Intensity Distribution



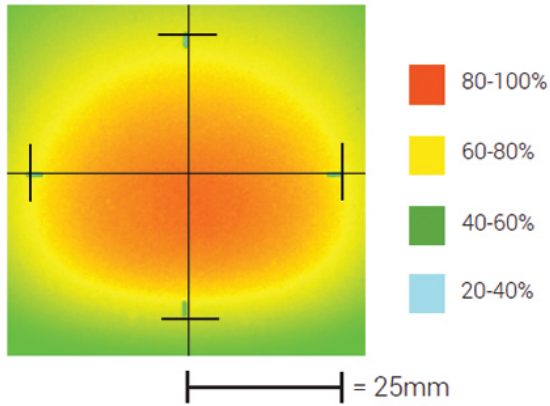
Optical measurement taken using DL225-050WHIIC @ 25 mm

Area of Illuminance & Intensity



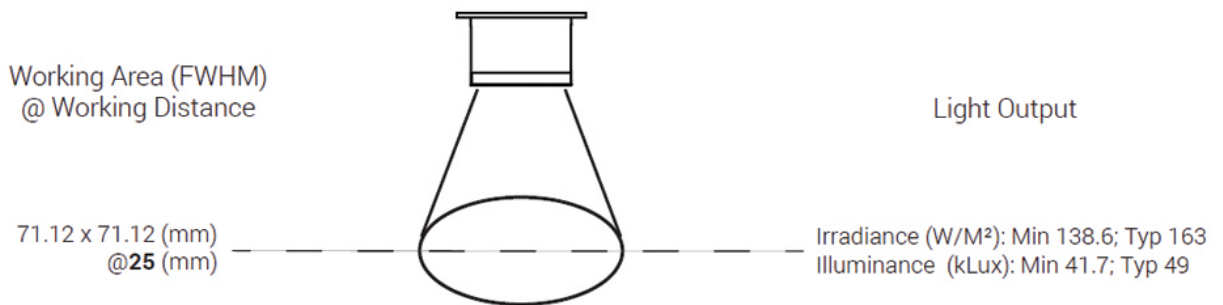
DL225-075

Intensity Distribution



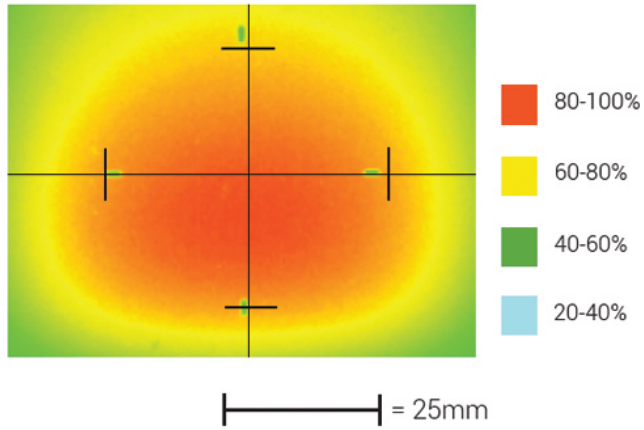
Optical measurement taken using DL225-075WHIIC @ 25 mm

Area of Illuminance & Intensity



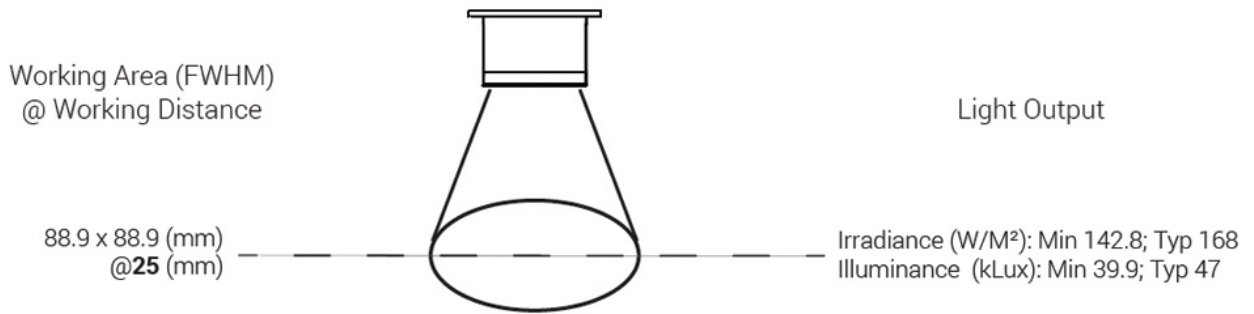
DL225-100

Intensity Distribution



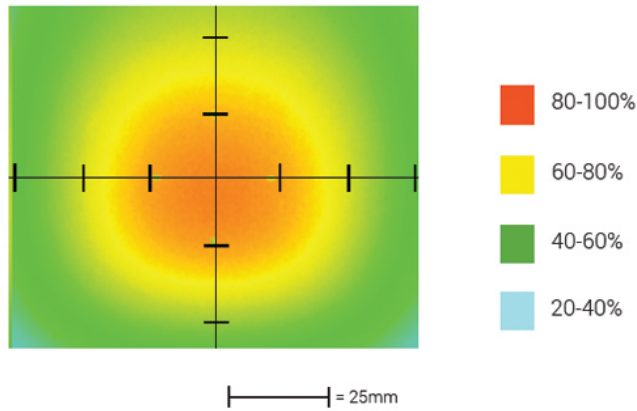
Optical measurement taken using DL225-100WHIIC @ 25 mm

Area of Illuminance & Intensity



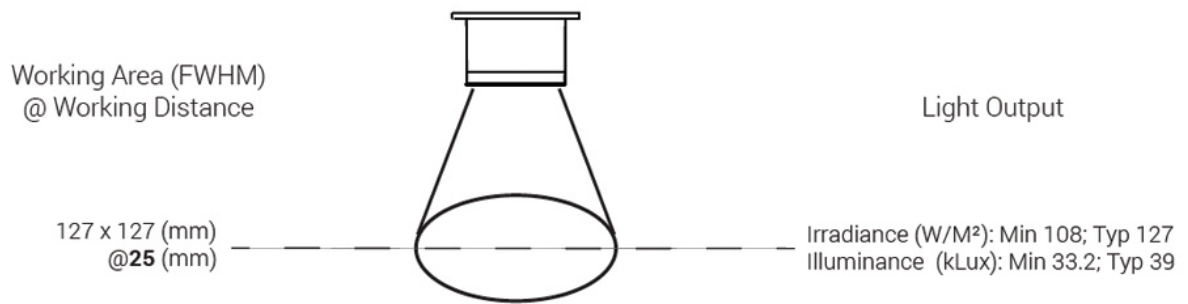
DL225-150

Intensity Distribution

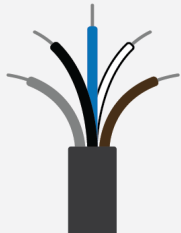


Optical measurement taken using DL225-150WHIIC @ 25 mm

Area of Illuminance & Intensity




Standard Flying Lead Functions for 24V, IC, I3 and I3S Control Options

	COLOR	24V FUNCTIONS	IC FUNCTIONS	I3/I3S FUNCTIONS
	BROWN	24 V DC	24 V DC	24 V DC
	WHITE	N/A	0-10 V ANALOG DIMMING	RESERVED
	BLUE	DC GND	DC GND	DC GND
	BLACK	N/A	PNP/ACTIVE LOW GATE	PNP/ACTIVE HIGH TRIGGER
	GRAY	N/A	N/A	0-10 V ANALOG DIMMING


The functions listed above are applicable when this product is configured with built-in 24V, IC, I3, or I3S control, **without** the optional A-coded 5-position Male M12 or A-coded 4-position Male M8 connector.

M12 Connector Pinout Functions for 24V, IC, I3 and I3S Control Options

	PIN	24V FUNCTIONS	IC FUNCTIONS	I3/I3S FUNCTIONS
	1	24 V DC	24 V DC	24 V DC
	2	N/A	0-10 V ANALOG DIMMING	RESERVED
	3	DC GND	DC GND	DC GND
	4	N/A	PNP/ACTIVE LOW GATE	PNP/ACTIVE HIGH TRIGGER
	5	N/A	N/A	0-10 V ANALOG DIMMING

The functions listed above are only applicable when this product is configured with built-in 24V, IC, I3, or I3S control, **with** an A-coded 5-position Male M12 connector.

M8 Connector Pinout Functions for 24V, IC, I3 and I3S Control Options

	PIN	24V FUNCTIONS	IC FUNCTIONS	I3/I3S FUNCTIONS
	1	24 V DC	24 V DC	24 V DC
	2	N/A	0-10 V ANALOG DIMMING	0-10 V ANALOG DIMMING
	3	DC GND	DC GND	DC GND
	4	N/A	PNP/ACTIVE LOW GATE	PNP/ACTIVE HIGH TRIGGER

The functions listed above are only applicable when this product is configured with built-in 24V, IC, I3, or I3S control, **with** an A-coded 4-position Male M8 connector.

For details on operating configurations without built-in control (C1, C5, Q1, and Q4 control, when available), please refer to Advanced illumination's controller manuals.

Warranty Information

Every Advanced illumination, Inc. (Ai) product is thoroughly inspected and tested before leaving the factory. Products are warranted to be free of defects in workmanship and materials for a period of FIVE YEARS from the original date of purchase. Should a defect develop during this period, customers may return the complete product, freight prepaid, to one of Ai's distributors or to the Ai factory. All product warranty returns require a Return Merchandise Authorization (RMA) number which is obtained from Customer Service. The RMA number must be clearly marked on the outside of the package. Ai will inspect the unit, and if a defect is found will, at our option, repair or replace the product without charge. Ai disclaims liability for any implied warranties, including implied warranties of "merchantability" and "fitness for a specific purpose." For products under warranty that have since been discontinued, Ai will make an effort to replace with equivalent parts; for circumstances that do not allow for equivalent replacement, Ai reserves the right to repair or replace these products with an updated version. Ai cannot be held responsible for the unauthorized or inappropriate use of its products. Any unauthorized repair or modifications will result in a voided warranty.

No Liability for Consequential Damages: In no event shall Ai be liable for any consequential, special, incidental, or indirect damages of any kind arising from the sale or use of the products.

Electromagnetic Compatibility

This product was tested and complies with the regulatory requirements and limits for electromagnetic compatibility (EMC) as stated in the product specifications. These requirements and limits are designed to provide reasonable protection against harmful interference only when the product is operated in its intended industrial electromagnetic environment. To minimize the potential for electromagnetic interference or unacceptable performance degradation, install and use this product in strict accordance with the instructions in the product documentation.

Customer Service

For information on existing orders, or to make an order adjustment, contact us Monday through Friday 8:00 am to 5:00 pm ET or send an email to orders@advancedillumination.com.

Company Information

Advanced Illumination

440 State Garage Road, Rochester, VT 05767

Phone: 802.767.3830

Fax: 802.767.2636

Email: info@advancedillumination.com

Web: advancedillumination.com

© 2021 Advanced illumination Inc. All rights reserved