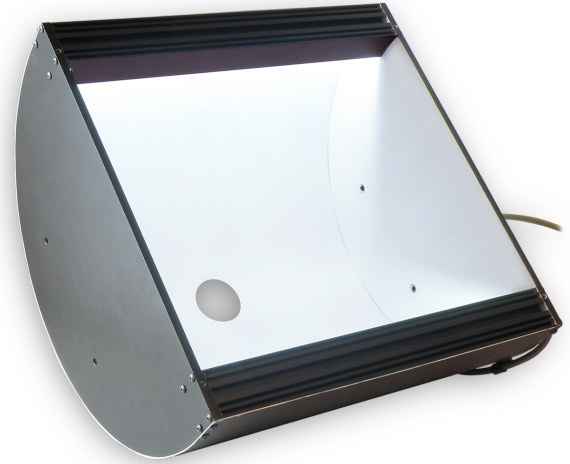


### Product Highlights

- The Wide Linear Diffuse Light series is ideal for the inspection of elongated or cylindrical objects and can be customized for up to 4 viewing ports.



### General Specifications

	Color	24V Current	All Other Controls
Electrical Specifications	455, 470, 505, 530, WHI	0.65 A Per 6"	0.50 A Per 6" Max
	590, 625, 660, 730	0.65 A Per 6"	0.33 A Per 6" Max
	850, 940	0.65 A Per 6"	0.45 A Per 6" Max
Normal Operating Temperature	0 - 60°C		
Weight	DL067X06: 1162g (41oz) (2.55lb) DL067X12: 2608g (92oz) (5.75lb) DL067X18: 4054g (143oz) (8.95lb) DL067X24: 5500g (194oz) (12.15lb) DL067X30: 6974g (246oz) (15.35lb) DL067X36: 8420g (297oz) (18.55lb)		
Standard Cable Information	2 m long -0/+150 mm (80" -0/+6") - 105°C RATED PVC JACKET, FOIL SHIELD WITH DRAIN.		

Photobiological Risk Factor	Exempt Applicable Wavelengths: 850, 940 Group 1 (Low Risk) Applicable Wavelengths: 455, 470, 505, 530, 590, 625, 660, 730, WHI
Compliance	CE, RoHS, IEC 62471
IP Rating	Not Rated
Lumen Maintenance	L70 = 50,000 Hours

## Part Number Key

Model	View Port	Emitting Length (in)	—	Peak Wavelength	Connector/Control	—	Alternative Connector
DL067	X	XX	-	XXX	XX	-	XXX
DL067	A (1 Hole)	06" increments from 06" to 36"		455 (royal blue) 470 (blue)	C1 C5		M8 <sup>1</sup> M12 <sup>1</sup>
	B (2 Holes)			505 (cyan) 530 (green)	IC <sup>2</sup> I3 <sup>2</sup>		
	C (3 Holes)			590 (amber) 625 (red orange)	I3S <sup>2</sup> 24		
	D (4 Holes)			660 (red) 730 (IR) 850 (IR) 940 (IR) WHI (white)			
EX: DL067B06-625C1 DL067C12-WHII3				<sup>1</sup> Available with IC, I3, I3S, and 24 V options only <sup>2</sup> Maximum length: 12"			

See website product page for in-stock product numbers.

### Shipping:

Stock Products: within three days

Build-to-Order Products: within one to three weeks

## Control Specs

C1 Connector	C5 Connector	IC	I3	I3S	24
For use with: DCS Series Controllers	For use with: Pulsar 320 Strobe Controller.	Continuous in-line controller  Powered with: 24V power supply	Combination strobe/continuous in-line controller  Powered with: 24V power supply	Default-OFF strobe/continuous in-line controller  Powered with: 24V power supply	Flying/tinned leads  Powered with: 24V power supply

## Change Notice

PCN No: 142

Date Issued: 7/11/17

Notice Type: Product Revision Change

Product Type: DL067

### Change Notification Summary

In an effort to improve our products, Advanced illumination (Ai) will update the LEDs used in the DL067 design. This change will result in a brighter, more uniform light at the same price\*.

Customers may still buy the current revision of this model until October 13th, 2017. After that time, orders for these products will be converted to their respective DL067 Revision A models.

This LED change will result in additional wavelengths being available: 455nm, 505nm, 660nm, 730nm, and 940nm.

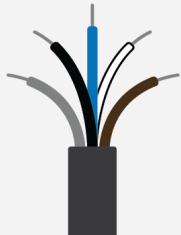
\*Visible and IR wavelengths that did not exist will prior will be sold at the same list price as similar wavelengths.

Orders for customized (dash numbers) versions of DL067 will be honored until January 12th, 2018. Ai will be actively working with customers for those products to simplify the transition.

Please contact your Ai Sales Representative if you have any questions.

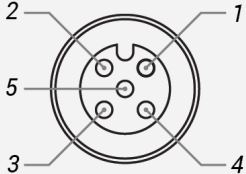
PCN 142 DL067

## Standard Flying Lead Functions for 24V, IC, I3 and I3S Control Options

	COLOR	24V FUNCTIONS	IC FUNCTIONS	I3/I3S FUNCTIONS
	BROWN	24 V DC	24 V DC	24 V DC
	WHITE	N/A	0-10 V ANALOG DIMMING	RESERVED
	BLUE	DC GND	DC GND	DC GND
	BLACK	N/A	PNP/ACTIVE LOW GATE	PNP/ACTIVE HIGH TRIGGER
	GRAY	N/A	N/A	0-10 V ANALOG DIMMING

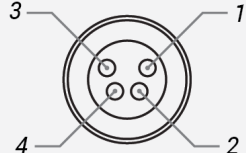
The functions listed above are applicable when this product is configured with built-in 24V, IC, I3, or I3S control, **without** the optional A-coded 5-position Male M12 or A-coded 4-position Male M8 connector.

## M12 Connector Pinout Functions for 24V, IC, I3 and I3S Control Options

	PIN	24V FUNCTIONS	IC FUNCTIONS	I3/I3S FUNCTIONS
	1	24 V DC	24 V DC	24 V DC
	2	N/A	0-10 V ANALOG DIMMING	RESERVED
	3	DC GND	DC GND	DC GND
	4	N/A	PNP/ACTIVE LOW GATE	PNP/ACTIVE HIGH TRIGGER
	5	N/A	N/A	0-10 V ANALOG DIMMING

The functions listed above are only applicable when this product is configured with built-in 24V, IC, I3, or I3S control, **with** an A-coded 5-position Male M12 connector.

## M8 Connector Pinout Functions for 24V, IC, I3 and I3S Control Options

	PIN	24V FUNCTIONS	IC FUNCTIONS	I3/I3S FUNCTIONS
	1	24 V DC	24 V DC	24 V DC
	2	N/A	0-10 V ANALOG DIMMING	0-10 V ANALOG DIMMING
	3	DC GND	DC GND	DC GND
	4	N/A	PNP/ACTIVE LOW GATE	PNP/ACTIVE HIGH TRIGGER

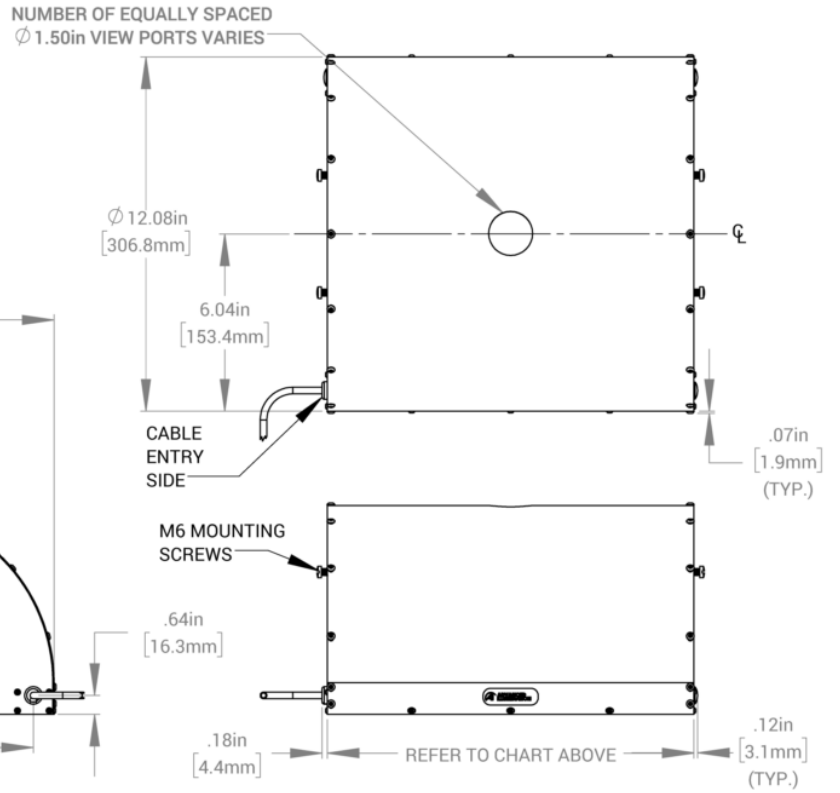
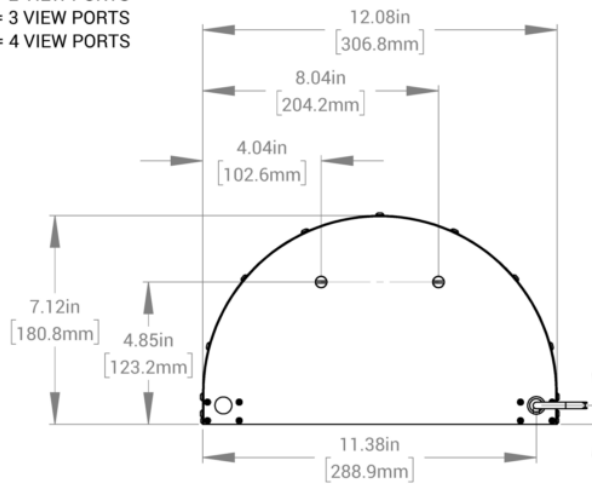
The functions listed above are only applicable when this product is configured with built-in 24V, IC, I3, or I3S control, **with** an A-coded 4-position Male M8 connector.

For details on operating configurations without built-in control (C1, C5, Q1, and Q4 control, when available), please refer to Advanced illumination's controller manuals.

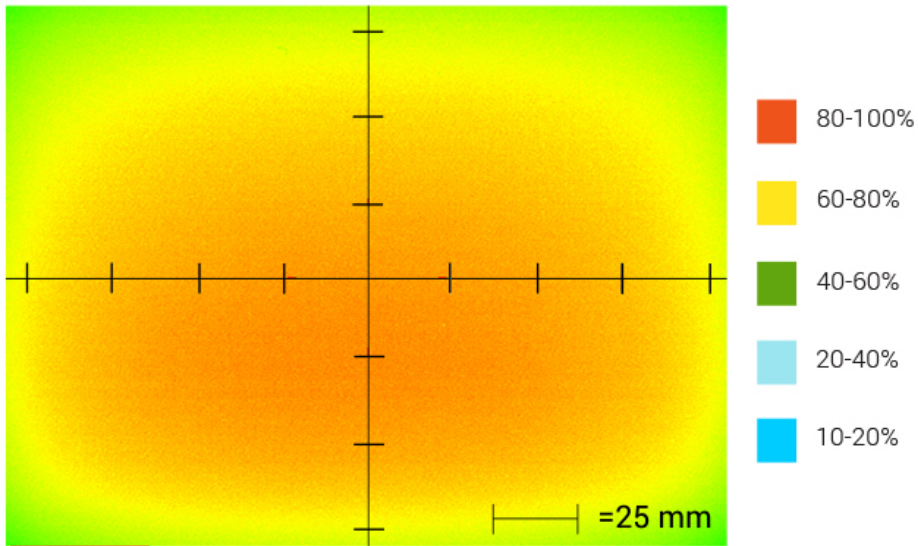
## Mechanical Specs

DLO67 LENGTH MATRIX		
PART #	LENGTH IN INCHES (mm)	MAX VIEW PORTS
DL067X06	6.5 (165 mm)	2
DL067X12	12.5 (318 mm)	3
DL067X18	18.5 (470 mm)	4
DL067X24	24.5 (622 mm)	4
DL067X30	30.5 (775 mm)	4
DL067X36	36.5 (927 mm)	4

X = NUMBER OF VIEW PORTS:  
 A = 1 VIEW PORT  
 B = 2 VIEW PORTS  
 C = 3 VIEW PORTS  
 D = 4 VIEW PORTS



## Intensity Distribution

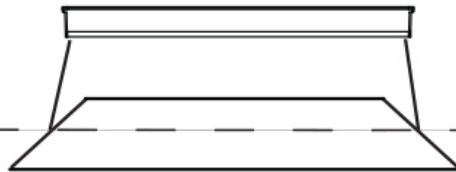


Optical measurement taken using DL067A12-WHIIC Rev. A @ 25mm

## Area of Illuminance &amp; Intensity

Working Area (FWHM)  
@ Working Distance

241 x 305 (mm)  
@25 (mm)



Light Output

Irradiance (W/M<sup>2</sup>): Min 24.0; Typ 28.2  
Illuminance (kLux): Min 8.5; Typ 10.0

## Warranty Information

Every Advanced illumination, Inc. (Ai) product is thoroughly inspected and tested before leaving the factory. Products are warranted to be free of defects in workmanship and materials for a period of FIVE YEARS from the original date of purchase. Should a defect develop during this period, customers may return the complete product, freight prepaid, to one of Ai's distributors or to the Ai factory. All product warranty returns require a Return Merchandise Authorization (RMA) number which is obtained from Customer Service. The RMA number must be clearly marked on the outside of the package. Ai will inspect the unit, and if a defect is found will, at our option, repair or replace the product without charge. Ai disclaims liability for any implied warranties, including implied warranties of "merchantability" and "fitness for a specific purpose." For products under warranty that have since been discontinued, Ai will make an effort to replace with equivalent parts; for circumstances that do not allow for equivalent replacement, Ai reserves the right to repair or replace these products with an updated version. Ai cannot be held responsible for the unauthorized or inappropriate use of its products. Any unauthorized repair or modifications will result in a voided warranty.

No Liability for Consequential Damages: In no event shall Ai be liable for any consequential, special, incidental, or indirect damages of any kind arising from the sale or use of the products.

## Electromagnetic Compatibility

This product was tested and complies with the regulatory requirements and limits for electromagnetic compatibility (EMC) as stated in the product specifications. These requirements and limits are designed to provide reasonable protection against harmful interference only when the product is operated in its intended industrial electromagnetic environment. To minimize the potential for electromagnetic interference or unacceptable performance degradation, install and use this product in strict accordance with the instructions in the product documentation.

## Customer Service

For information on existing orders, or to make an order adjustment, contact us Monday through Friday 8:00 am to 5:00 pm ET or send an email to [orders@advancedillumination.com](mailto:orders@advancedillumination.com).

## Company Information

### **Advanced Illumination**

440 State Garage Road, Rochester, VT 05767

Phone: 802.767.3830

Fax: 802.767.2636

Email: [info@advancedillumination.com](mailto:info@advancedillumination.com)

Web: [advancedillumination.com](http://advancedillumination.com)

© 2021 Advanced illumination Inc. All rights reserved