

Product Highlights

- The CB series of Back-lit Collimated Backlights deliver precision silhouetting for a range of machine vision applications.



General Specifications

Electrical Specifications	Color	24V Current	All Other Controls
	470, 520, 660, 880, WHI	0.03A per sq. inch	0.018A Max per sq. inch
Normal Operating Temperature	0 - 60°C		
Weight	8" X 8" unit - 1292.74g (45.6oz)		
Standard Cable Information	2 m long -0/+150 mm (80" -0/+6") - 105°C rated PVC jacket, foil shield with drain.		
Photobiological Risk Factor	Exempt (No-Risk) Applicable Wavelengths: 880 Group 1 (Low-Risk) Applicable Wavelengths: 470, 520, 660, WHI		
Compliance	CE, RoHS, IEC 62471		
IP Rating	IP50		
Lumen Maintenance	L70 = 50,000 Hours		

Part Number Key

Model	Emitting Length (in)	Emitting Width (in)	-	Peak Wavelength	Connector/ Control	-	Alternative Connector
CB	XX	XX	-	XXX	XX	-	XXX
CB	01" increments from 01" to 16"	01" increments from 01" to 16"		470 (blue) 520 (green) 660 (red) 880 (IR) WHI (white)	C1 C5 IC I3 I3S 24		M8' M12'
EX: CB0312-470C1 CB0608-660IC-M12				¹ Available with IC, I3, I3S, and 24 V options only			

See website product page for in-stock product numbers.

Shipping:

Stock Products: within three days

Build-to-Order Products: red and white within two weeks, blue and green within four weeks

Change Notice

PCN No: 165

Date Issued: March 18, 2022

Notice Type: Optical Component Update

Product Type: BL, CB and FX

Change Notification Summary

In an effort to improve our products, Advanced illumination (Ai) has upgraded the optical components on the BX, CX, and FX Series. This upgrade only applies to size configurations less than or equal to 8" in non-illuminated length, otherwise known as the power side of the unit. This change will result in a brightness increase of roughly 40% over the previous revision. Pricing for each unit will remain the same. This change has gone into effect on BX, CX, and FX lights

with serial numbers greater than 22060XXXX.

Please contact your Ai Sales Representative if you have any questions.

PCN 165

PCN No: 152

Date Issued: June 15, 2020

Notice Type: Product Revision Change

Product Type: BLXXYY, CBXXYY, FDXXYY, BL128, BL193, BL245

Change Notification Summary

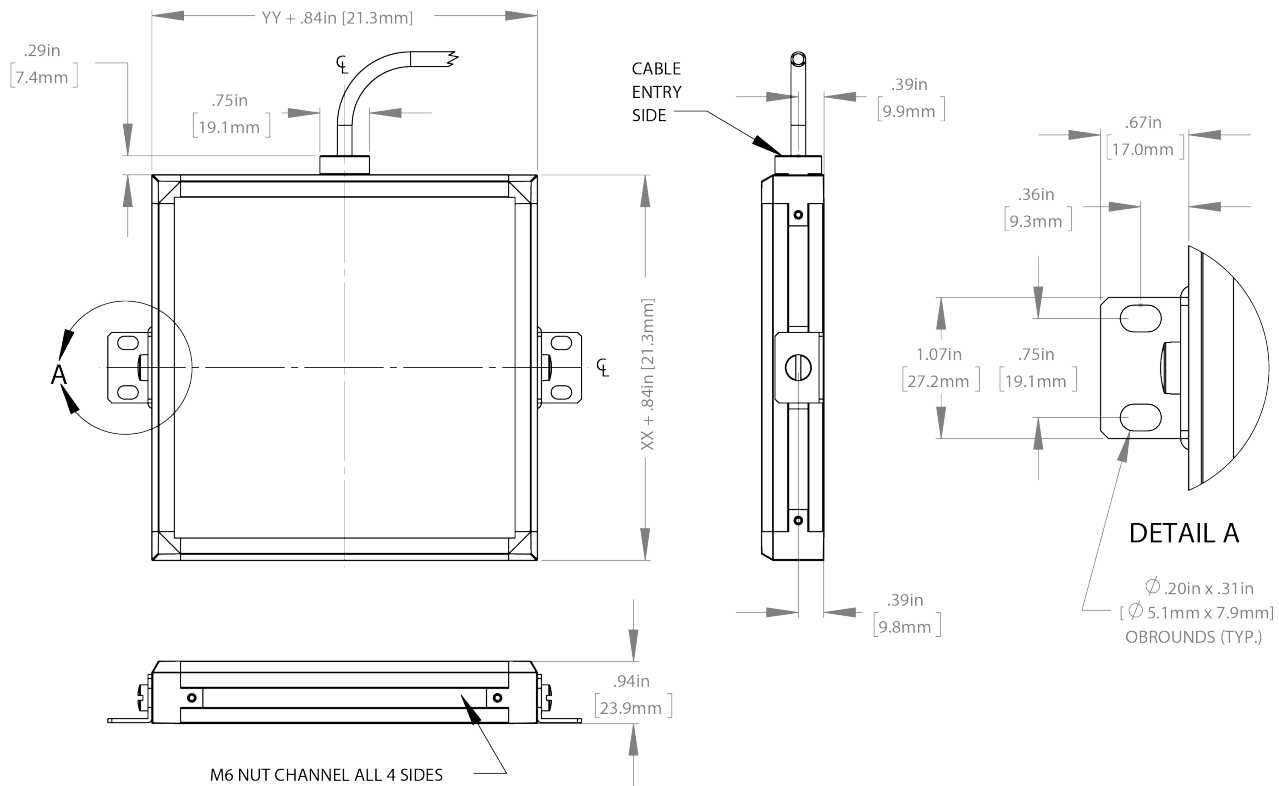
In an effort to improve our products, Advanced illumination (Ai) will be updating the internal drivers and white LEDs used in the BLXXYY, CBXXYY, FDXXYY, BL128, BL193, and BL245. This change will result in white lights seeing a brightness increase of roughly 70% while maintaining equal pricing for small configurations and reduced pricing for large configurations. Excluding the BL128, 24V configured units will experience a current draw shift from 20mA to 30mA per sq. inch for 470nm, 520nm and white units while controller configured units will see a current draw shift from 15mA to 18mA per sq. inch for the same color configurations. Color temperatures will remain unchanged.

The LED upgrade and internal driver update for white color configurations will take place September 15th. The internal driver updates will occur November 9th for 470nm and January 7th for 520nm.

Please contact your Ai Sales Representative if you have any questions.

PCN 152

Mechanical Specs



Optical Specs

Area of Illuminance & Intensity

Working Area (FWHM)
@ Working Distance

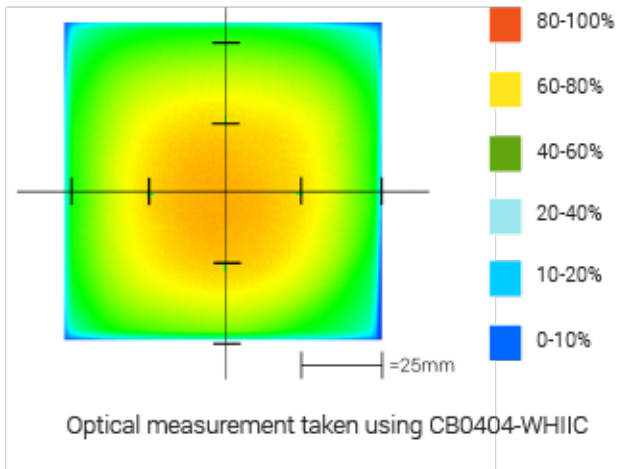
Light Output

86 X 86 (mm)
@surface

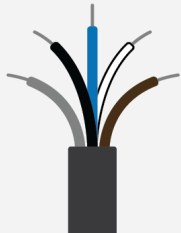


Irradiance (W/M²): Min 40; Typ 47
Illuminance (kLux): Min 12.5; Typ 14.7

Intensity Distribution

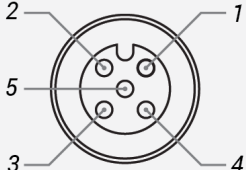


Standard Flying Lead Functions for 24V, IC, I3 and I3S Control Options

	COLOR	24V FUNCTIONS	IC FUNCTIONS	I3/I3S FUNCTIONS
	BROWN	24 V DC	24 V DC	24 V DC
	WHITE	N/A	0-10 V ANALOG DIMMING	RESERVED
	BLUE	DC GND	DC GND	DC GND
	BLACK	N/A	PNP/ACTIVE LOW GATE	PNP/ACTIVE HIGH TRIGGER
	GRAY	N/A	N/A	0-10 V ANALOG DIMMING


The functions listed above are applicable when this product is configured with built-in 24V, IC, I3, or I3S control, **without** the optional A-coded 5-position Male M12 or A-coded 4-position Male M8 connector.

M12 Connector Pinout Functions for 24V, IC, I3 and I3S Control Options

	PIN	24V FUNCTIONS	IC FUNCTIONS	I3/I3S FUNCTIONS
	1	24 V DC	24 V DC	24 V DC
	2	N/A	0-10 V ANALOG DIMMING	RESERVED
	3	DC GND	DC GND	DC GND
	4	N/A	PNP/ACTIVE LOW GATE	PNP/ACTIVE HIGH TRIGGER
	5	N/A	N/A	0-10 V ANALOG DIMMING

The functions listed above are only applicable when this product is configured with built-in 24V, IC, I3, or I3S control, **with** an A-coded 5-position Male M12 connector.

M8 Connector Pinout Functions for 24V, IC, I3 and I3S Control Options

	PIN	24V FUNCTIONS	IC FUNCTIONS	I3/I3S FUNCTIONS
	1	24 V DC	24 V DC	24 V DC
	2	N/A	0-10 V ANALOG DIMMING	0-10 V ANALOG DIMMING
	3	DC GND	DC GND	DC GND
	4	N/A	PNP/ACTIVE LOW GATE	PNP/ACTIVE HIGH TRIGGER

The functions listed above are only applicable when this product is configured with built-in 24V, IC, I3, or I3S control, **with** an A-coded 4-position Male M8 connector.

For details on operating configurations without built-in control (C1, C5, Q1, and Q4 control, when available), please refer to Advanced illumination's controller manuals.

Control Specs

C1 Connector	C5 Connector	ICS 2 (IC)	ICS 3 (I3)	ICS 3S (I3S)	24
<p><i>For use with:</i> DCS Series Controllers</p>	<p><i>For use with:</i> Pulsar 320 Strobe Controller.</p>	<p>Continous in-line controller <i>Powered with:</i> 24V power supply</p>	<p>Combination strobe/continous in-line controller <i>Powered with:</i> 24V power supply</p>	<p>Default-OFF strobe/continous in-line controller <i>Powered with:</i> 24V power supply</p>	<p>Flying/tinned leads <i>Powered with:</i> 24V power supply</p>

Warranty Information

Every Advanced illumination, Inc. (Ai) product is thoroughly inspected and tested before leaving the factory. Products are warranted to be free of defects in workmanship and materials for a period of FIVE YEARS from the original date of purchase. Should a defect develop during this period, customers may return the complete product, freight prepaid, to one of Ai's distributors or to the Ai factory. All product warranty returns require a Return Merchandise Authorization (RMA) number which is obtained from Customer Service. The RMA number must be clearly marked on the outside of the package. Ai will inspect the unit, and if a defect is found will, at our option, repair or replace the product without charge. Ai disclaims liability for any implied warranties, including implied warranties of "merchantability" and "fitness for a specific purpose." For products under warranty that have since been discontinued, Ai will make an effort to replace with equivalent parts; for circumstances that do not allow for equivalent replacement, Ai reserves the right to repair or replace these products with an updated version. Ai cannot be held responsible for the unauthorized or inappropriate use of its products. Any unauthorized repair or modifications will result in a voided warranty.

No Liability for Consequential Damages: In no event shall Ai be liable for any consequential, special, incidental, or indirect damages of any kind arising from the sale or use of the products.

Electromagnetic Compatibility

This product was tested and complies with the regulatory requirements and limits for electromagnetic compatibility (EMC) as stated in the product specifications. These requirements and limits are designed to provide reasonable protection against harmful interference only when the product is operated in its intended industrial electromagnetic environment. To minimize the potential for electromagnetic interference or unacceptable performance degradation, install and use this product in strict accordance with the instructions in the product documentation.

Customer Service

For information on existing orders, or to make an order adjustment, contact us Monday through Friday 8:00 am to 5:00 pm ET or send an email to orders@advancedillumination.com.

Company Information

Advanced Illumination

440 State Garage Road, Rochester, VT 05767

Phone: 802.767.3830

Fax: 802.767.2636

Email: info@advancedillumination.com

Web: advancedillumination.com

© 2021 Advanced illumination Inc. All rights reserved