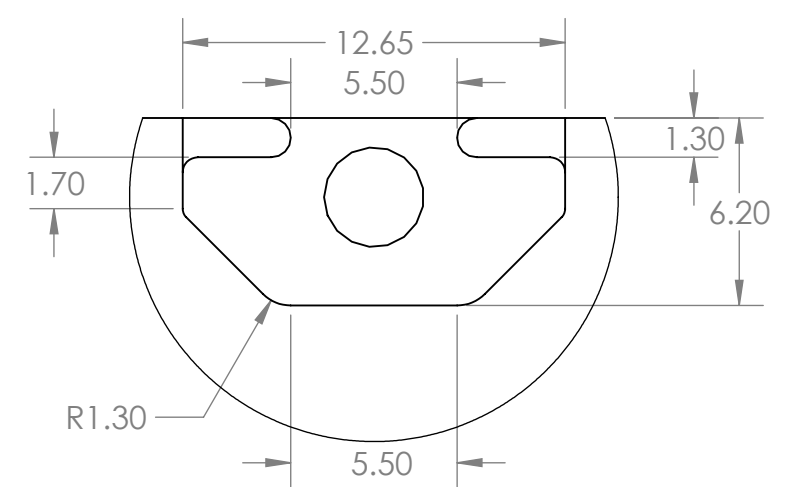
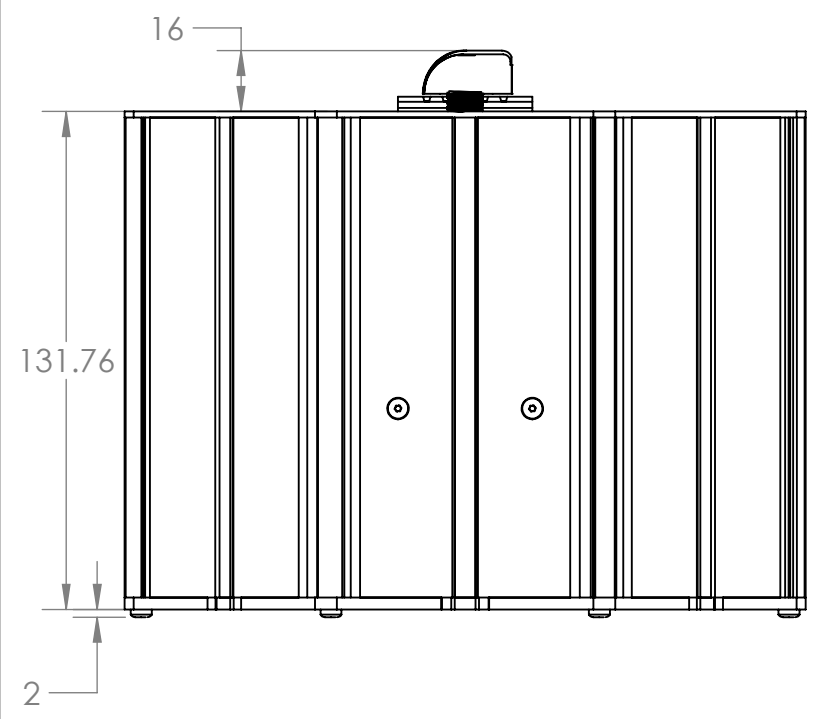


4

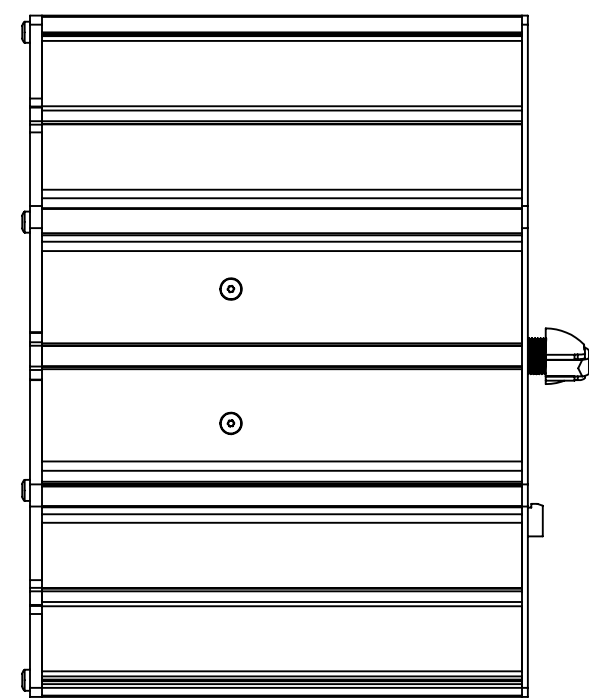
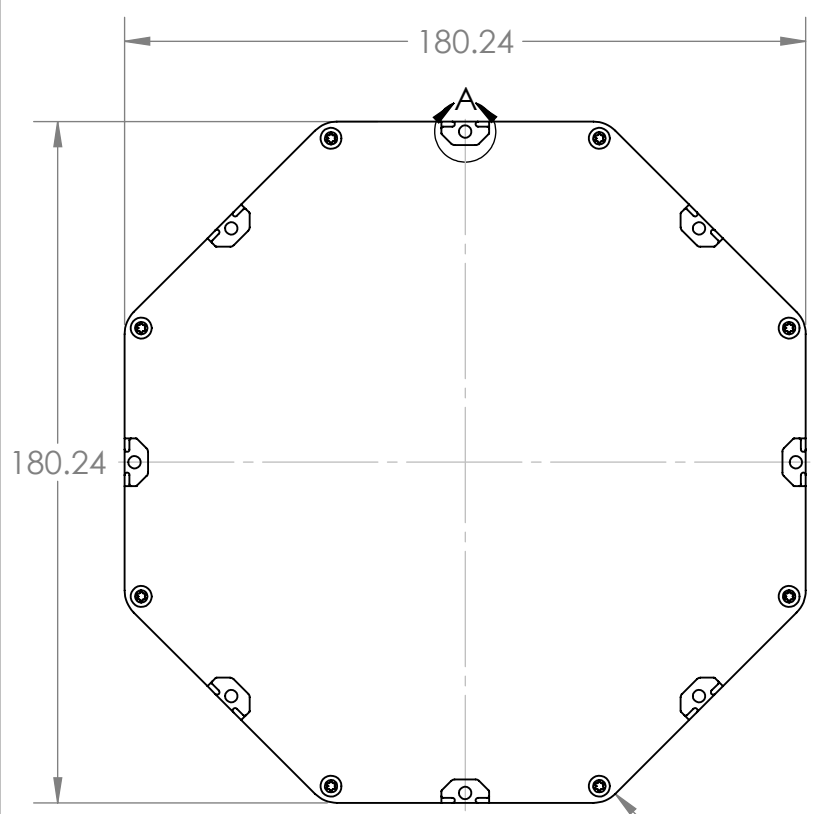
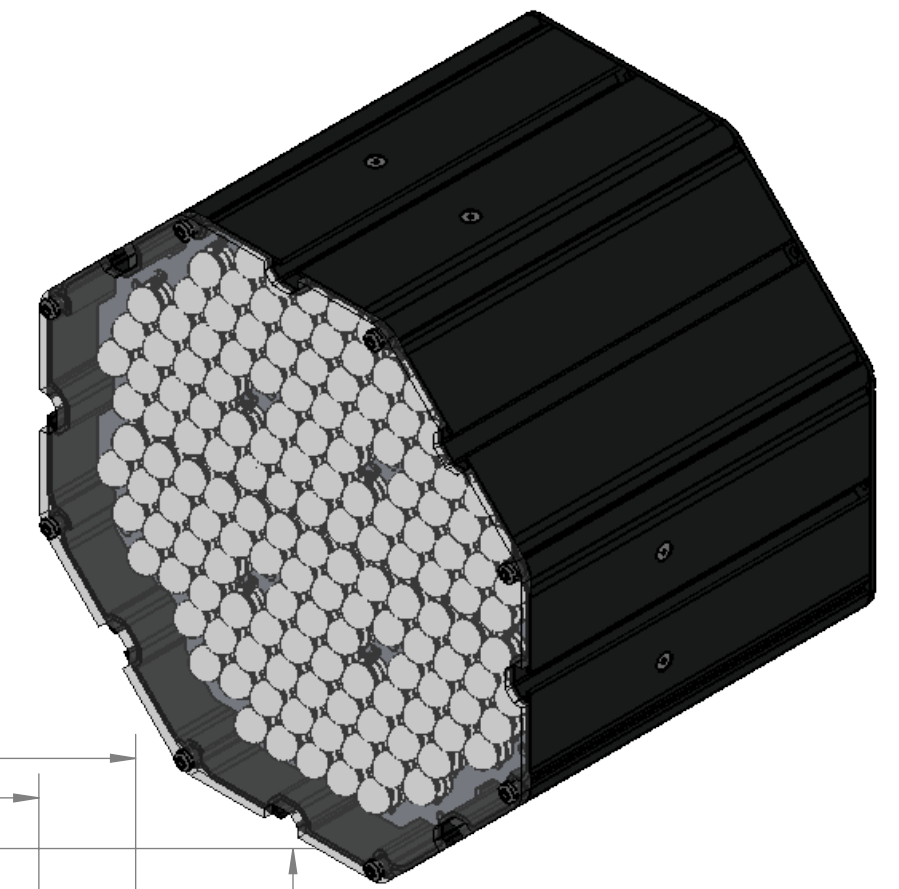
3

2

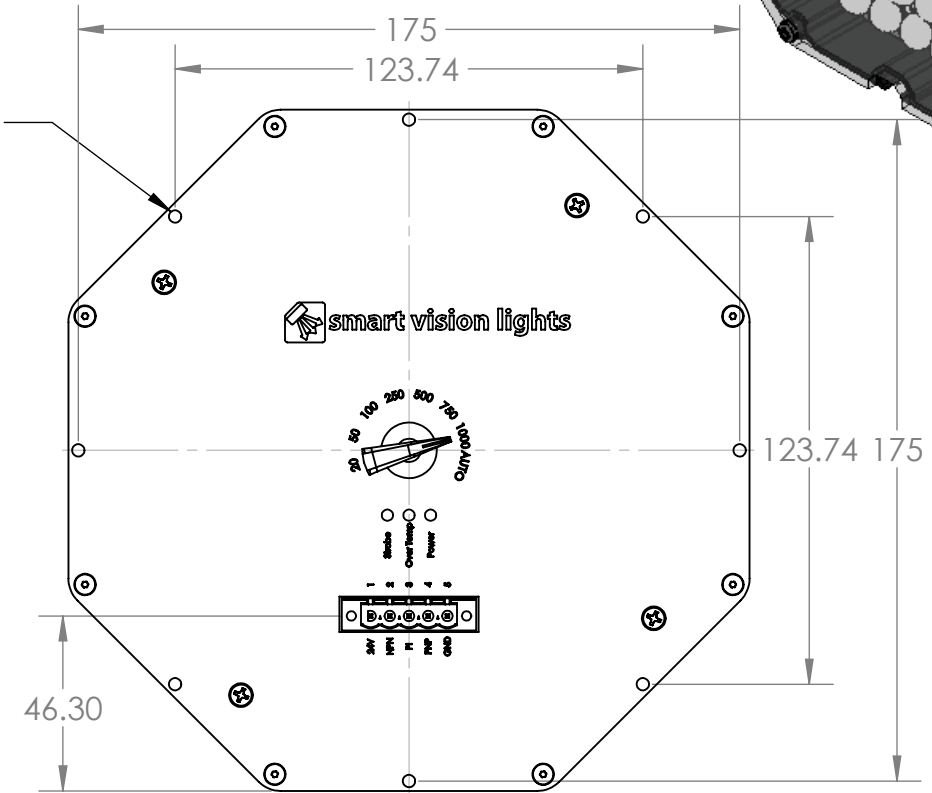
1



DETAIL A
SCALE 4 : 1



8X M4X.07 - THRU



PROPRIETARY AND CONFIDENTIAL
 THE INFORMATION CONTAINED IN THIS DRAWING IS THE SOLE PROPERTY OF SmartVisionLights. ANY REPRODUCTION IN PART OR AS A WHOLE WITHOUT THE WRITTEN PERMISSION OF SmartVisionLights IS PROHIBITED.

UNLESS OTHERWISE SPECIFIED:
 DIMENSIONS ARE IN MM
 TOLERANCES:
 FRACTIONAL ± .127
 ANGULAR: BEND ± 3°
 TWO PLACE DECIMAL ± .127
 THREE PLACE DECIMAL ± .127

INTERPRET GEOMETRIC TOLERANCING PER:
 MATERIAL
 FINISH

DO NOT SCALE DRAWING

	NAME	DATE
DRAWN	NC	2/28/2017
CHECKED	MP	2/28/2017
ENG APPR.	MP	2/28/2017
MFG APPR.	MP	2/28/2017
Q.A.		

COMMENTS:
UNITS ARE IN MILLIMETERS



TITLE:
SmartVisionLights.com

SIZE B	DWG. NO. XR256 Series	REV 2
------------------	--------------------------	-----------------

SCALE: 1:2 WEIGHT: SHEET 1 OF 1

4

3

2

1

B

B

A

A