

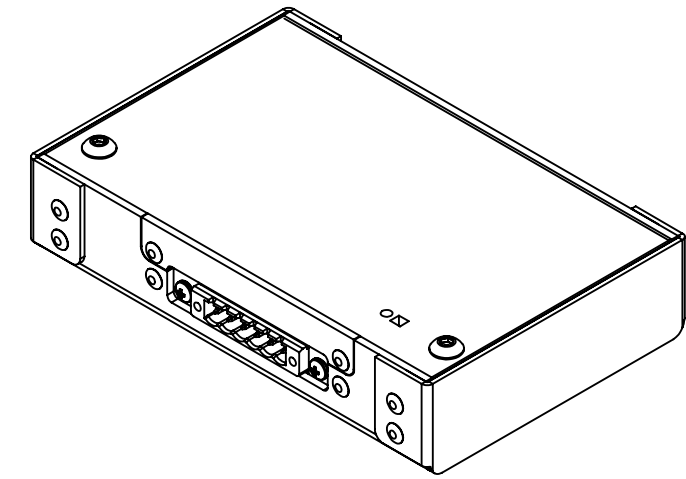
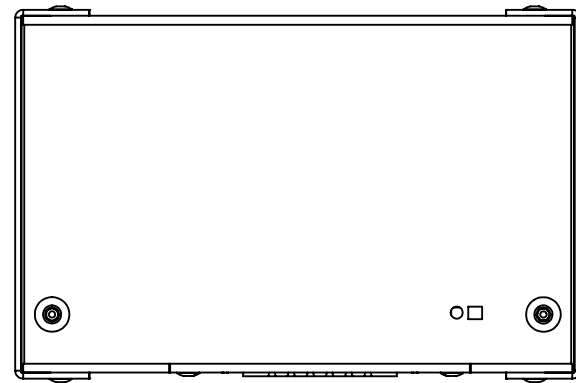
4

3

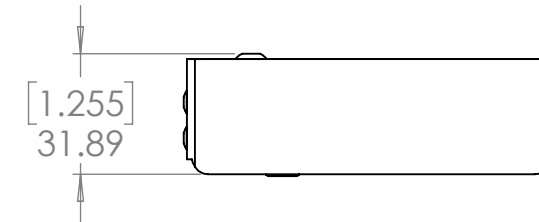
2

1

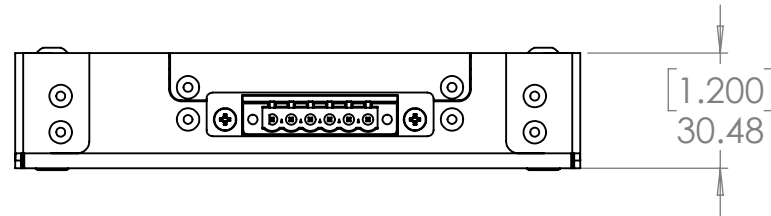
TOP VIEW



END VIEW

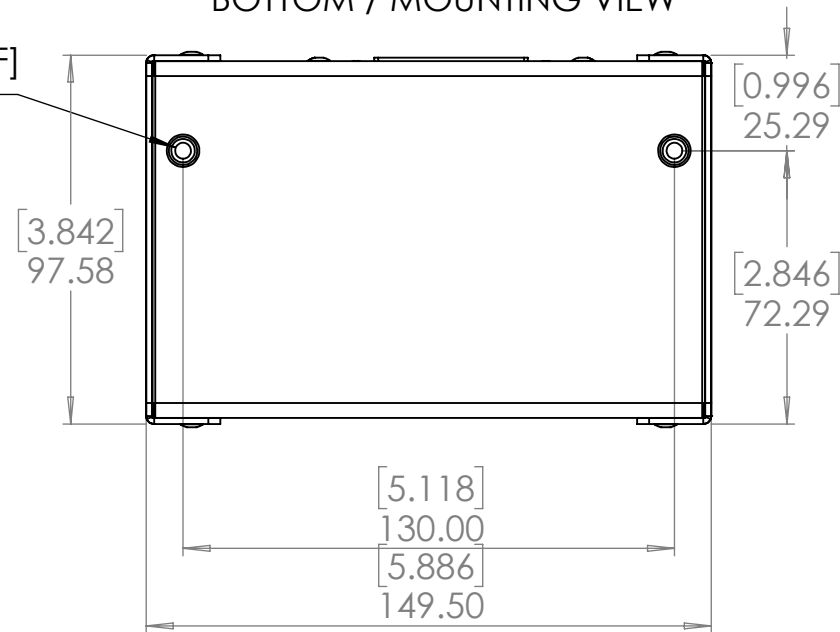


SIDE VIEW



BOTTOM / MOUNTING VIEW

2 x M5 X 0.8 [10-32UNF]  
15mm [0.59"] depth  
Mounting Holes



**PROPRIETARY AND CONFIDENTIAL**  
THE INFORMATION CONTAINED IN THIS DRAWING IS THE SOLE PROPERTY OF SPECTRUM ILLUMINATION INC. ANY REPRODUCTION IN PART OR AS A WHOLE WITHOUT THE WRITTEN PERMISSION OF SPECTRUM ILLUMINATION INC IS PROHIBITED.

UNLESS OTHERWISE SPECIFIED:		NAME	DATE
DIMENSIONS ARE IN mm [INCHES]	DRAWN	DJH	02/06/20
TOLERANCES:	CHECKED	-	-
ANGULAR: MACH ± BEND ±	ENG APPR.		
ONE PLACE DECIMAL ±1.0	MFG APPR.		
TWO PLACE DECIMAL ±0.5	Q.A.		
THREE PLACE DECIMAL ±0.25	COMMENTS:		
INTERPRET GEOMETRIC TOLERANCING PER:			
MATERIAL			
FINISH			
DO NOT SCALE DRAWING			

**SPECTRUM ILLUMINATION**  
5114 INDUSTRIAL PARK RD.  
MONTAGUE, MI 49437

Description:  
XL2150 Double Row Linear Light

SIZE	DWG. NO.	REV
<b>B</b>	XL2150 Complete	<b>A</b>

SCALE: 1:2 WEIGHT: SHEET 1 OF 1

4

3

2

1

B

B

A

A