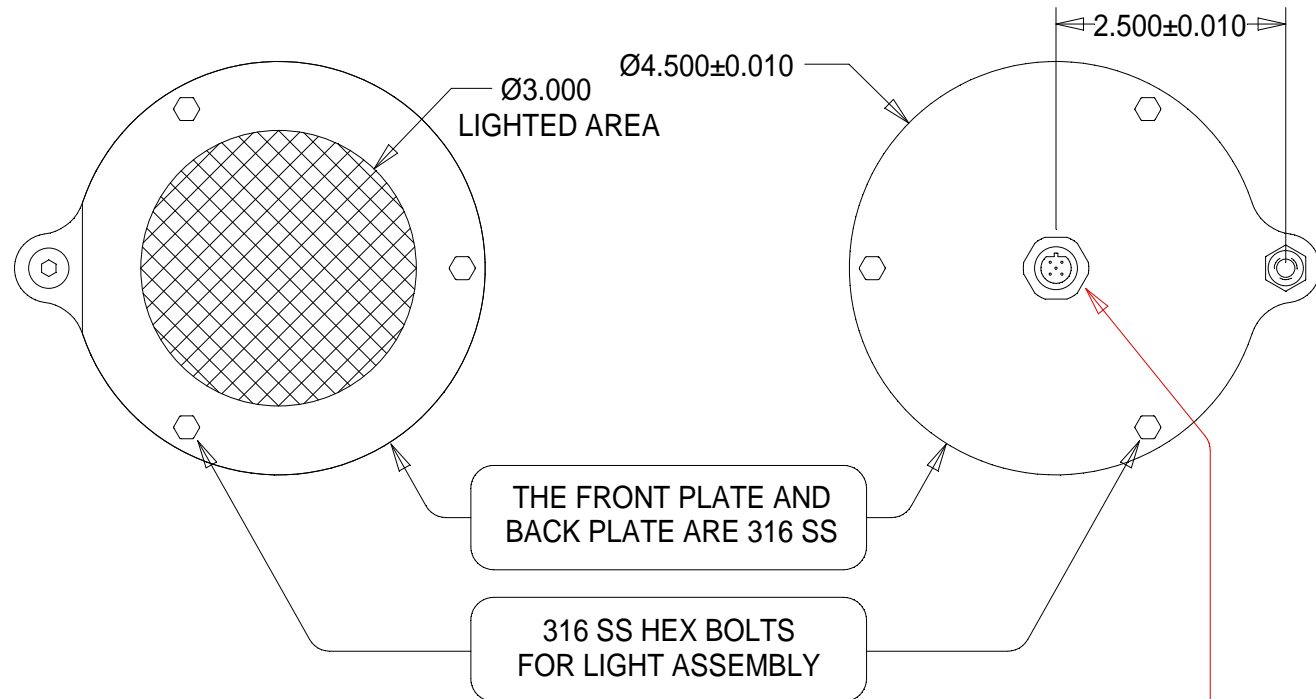
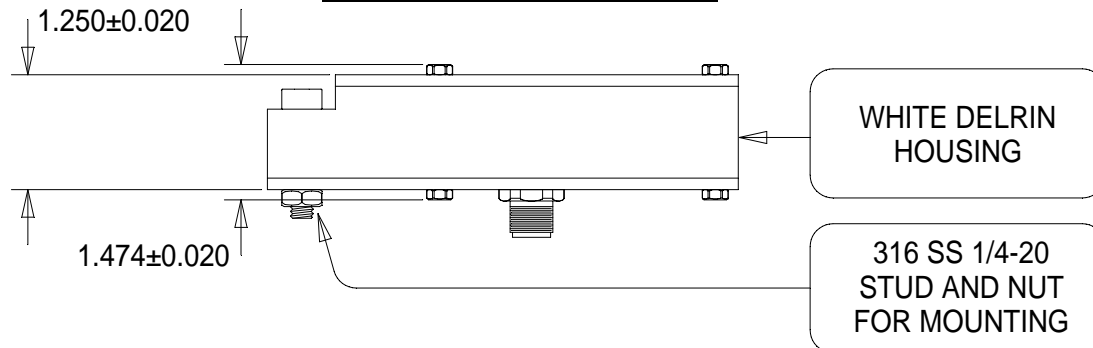


# TOP VIEW

# BOTTOM VIEW



# SIDE VIEW



**5-PIN REVERSE KEYS 316 SS EUROFAST CONNECTOR**

**WARNING!!!**

DO NOT CONNECT LIGHT TO 24VDC. USE ONLY SPECTRUM ILLUMINATION LED DRIVER MODULE (LDM). FAILURE TO DO SO WILL RESULT IN PREMATURE LED BURNOUT AND WILL VOID THE WARRANTY.

# WSP3.25 MOUNT SPECIFICATIONS