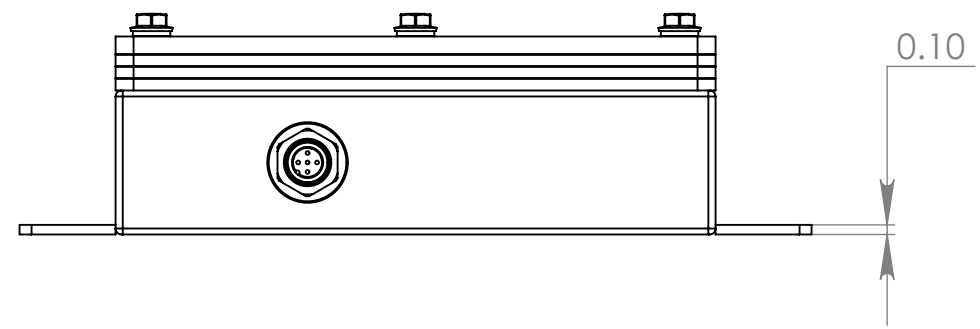
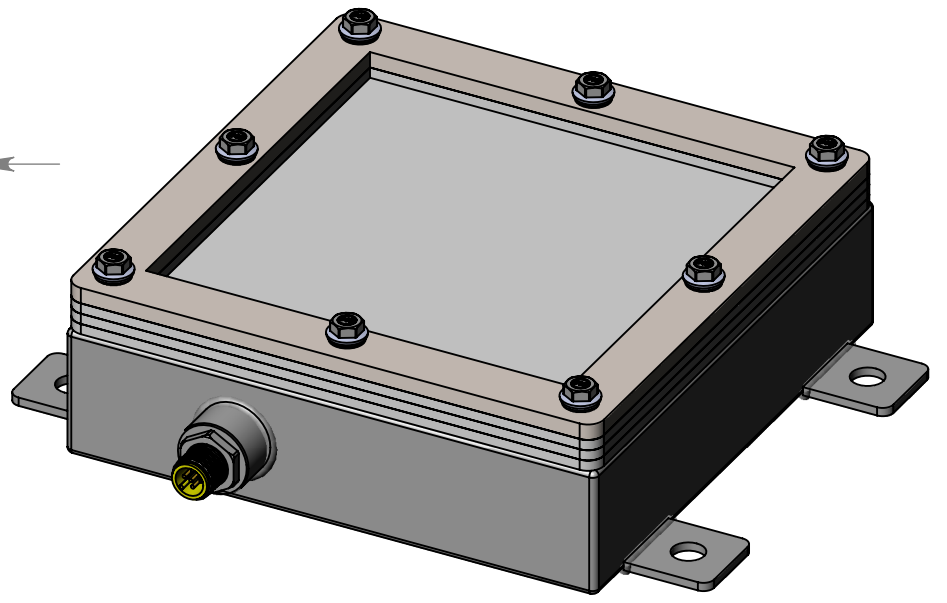
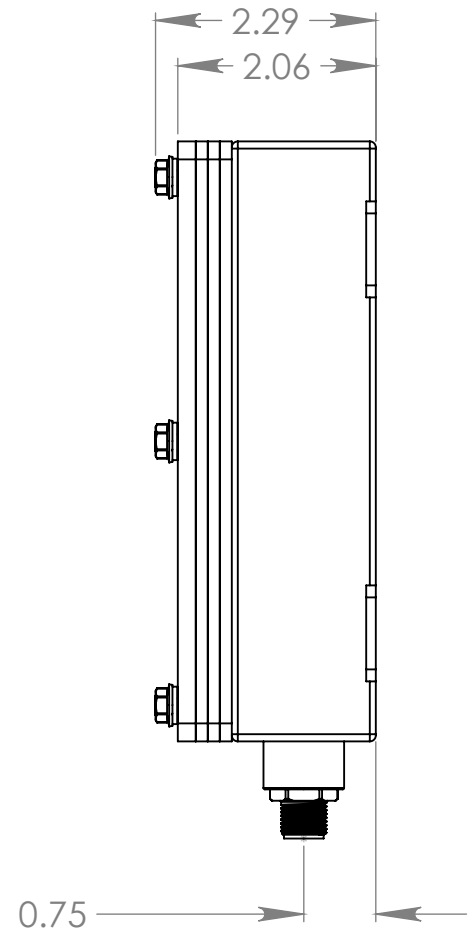
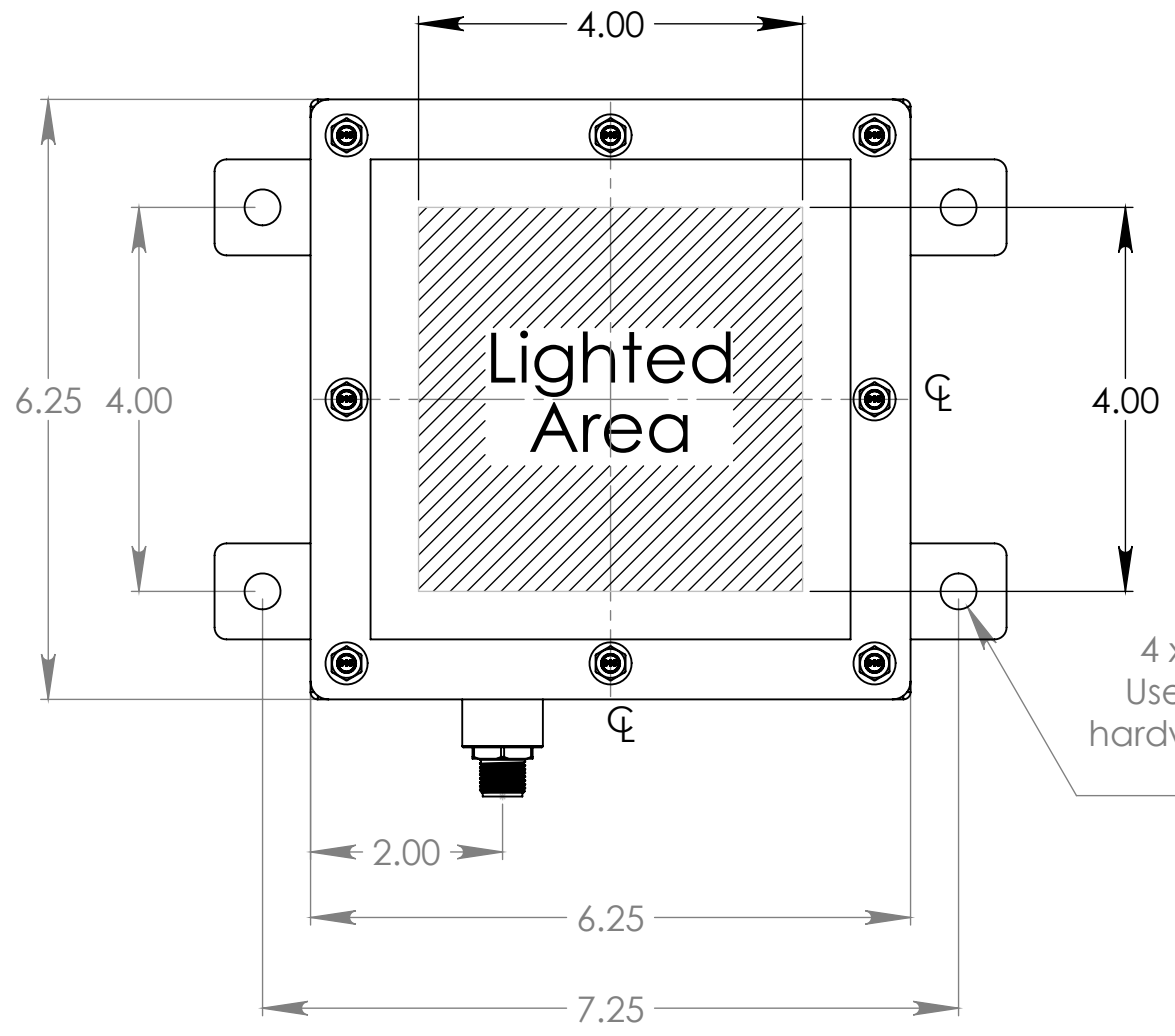


8 7 6 5 4 3 2 1

These dimensions are approximate
Seals and diffuser will vary in thickness



PROPRIETARY AND CONFIDENTIAL
THE INFORMATION CONTAINED IN THIS DRAWING IS THE SOLE PROPERTY OF SPECTRUM ILLUMINATION COMPANY INC. ANY REPRODUCTION IN PART OR AS A WHOLE WITHOUT THE WRITTEN PERMISSION OF SPECTRUM ILLUMINATION COMPANY INC. IS PROHIBITED.

UNLESS OTHERWISE SPECIFIED:	NAME	DATE
DIMENSIONS ARE IN INCHES	DRAWN	DDM 10/28/2013
TOLERANCES:	CHECKED	
ANGULAR: MACH ± BEND ±	ENG APPR.	
TWO PLACE DECIMAL ±0.020"	MFG APPR.	
THREE PLACE DECIMAL ±0.010"	Q.A.	
FOUR PLACE DECIMAL ±0.005"	COMMENTS:	
INTERPRET GEOMETRIC TOLERANCING PER:		
MATERIAL		
N/A		
FINISH		
N/A		
DO NOT SCALE DRAWING		

SPECTRUM ILLUMINATION 5114 INDUSTRIAL PARK RD. MONTAGUE, MI 49437		
SIZE	DWG. NAME	REV
B	WBL44 Complete	A
SCALE: 1:2	WEIGHT:	SHEET 1 OF 1

8 7 6 5 4 3 2 1