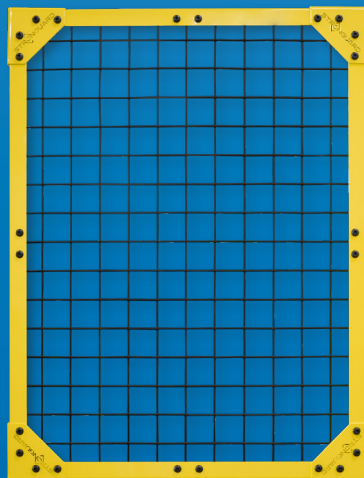
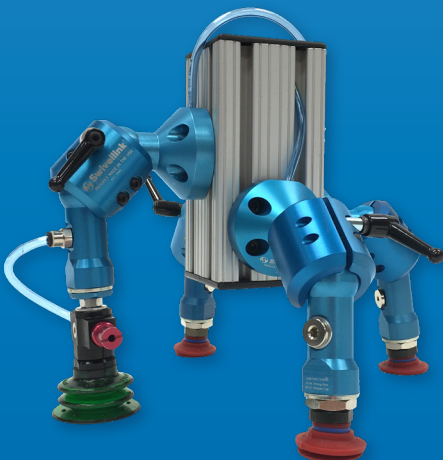
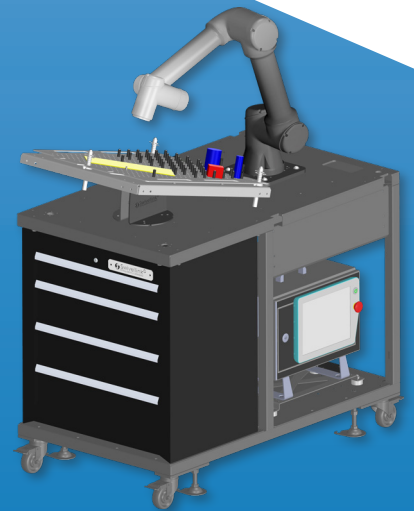
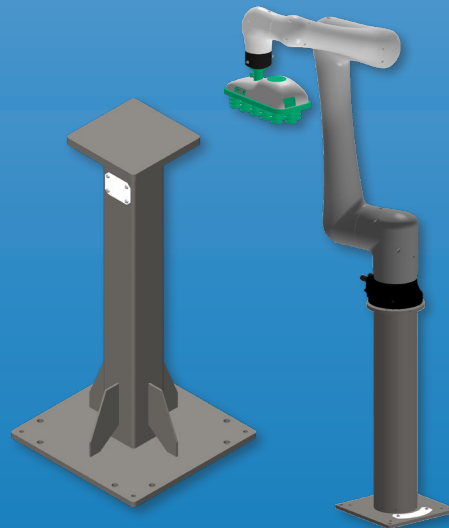
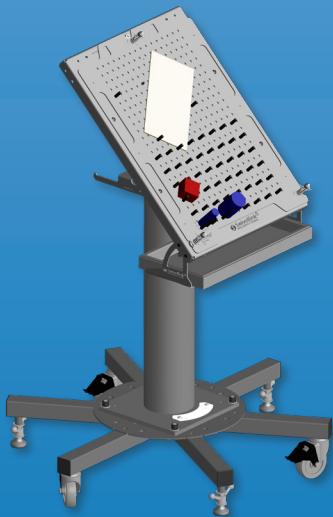




Swivellink®

INTELLIGENTLY DESIGNED

PRODUCT CATALOG





The Swivellink® product line originally started out with a need to mount operator start buttons onto custom-built industrial machinery. The truth is, we didn't develop the product to sell, but to solve a problem on our own production lines. We knew the design needed to be robust and flexible. The goal was to protect the expensive button and route the quick disconnect cable internally, because a simple wire break or damaged button can cause hours of costly production downtime.

Soon after it was designed, others quickly saw the value in it as well, and sales took off without much effort. The Swivellink® product was unique and offered multiple benefits. Once it gained traction in the market, we found new and more creative ways to solve other mounting problems. We added solutions to mount cameras, sensors, lights, robotic end-of-arm tooling, etc. Swivellink® is now offered in 3 different sizes, XS, Standard, & Heavy Duty, and comes in Metric or Imperial. (Heavy Duty only available in Imperial sizes)

As Swivellink® sets out to provide innovative products, other automation solutions have been developed through the years. Swivellink® now offers complete conveyors, modular guarding (Stronguard®), robot accessories, and a safety validation device (PLx).

Now distributed worldwide, the Swivellink® product line has been used for hundreds of different applications in all types of industries. Our goal is to intelligently design a flexible product line that will solve automation problems. The possibilities are endless.

MOUNTING SOLUTIONS

PG. 5

Our mounting solutions are the world's preferred way to mount cameras, lights, and sensors.

MOUNTING CONFIGURATIONS.....PG. 7

TECHNICAL INFORMATIONPG. 9

BASES, KNUCKLES, & LINKS.....PG. 11

ADAPTERS, BUTTON MOUNTS, TABLE CLAMPS, HANDLES & TOOLSPG. 12

SENSOR MOUNTS & KITSPG. 13

MOUNTING KITSPG. 14

DEMO KITSPG. 15

MOUNTING PLATES BY BRANDPG. 35

END OF ARM TOOLING (EOAT)

PG. 17

EOAT provides a flexible solution for robotic material handling.

PRODUCT CHART.....PG. 18

ROBOT PEDESTALS

PG. 19

Robust and well-designed pedestal options that are perfect for getting your robot up off the ground.

PRODUCT CHART.....PG. 20

COBOT ACCESSORIES

PG. 21

Robust and well-designed pedestal options that are perfect for getting your robot up off the ground.

MOBILE BASE & PARTS FEEDERPG. 21

MOBILE CARTSPG. 22

CONVEYORS

PG. 23

Our conveyor offering is perfect for light to medium duty applications. Option to build your own or order complete.

CONVEYORS.....PG. 24

CONVEYOR ACCESSORIESPG. 25

DIMENSION EXAMPLE.....PG. 26

SAFETY DEVICES

PG. 27

The PLx is a safety validation device used to induce faults and validate that your safety equipment is working properly.

FAQPG. 28

STRONGUARD

PG. 29

Stronguard is an industrial guarding line built to be modular and strong.

GUARDING CONFIGURATIONPG. 30

PRODUCT CHART.....PG. 31

TECHNICAL INFORMATIONPG. 32

DOOR KITS.....PG. 33

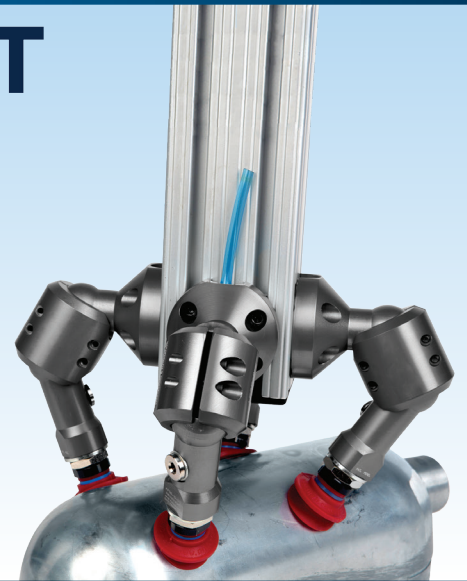
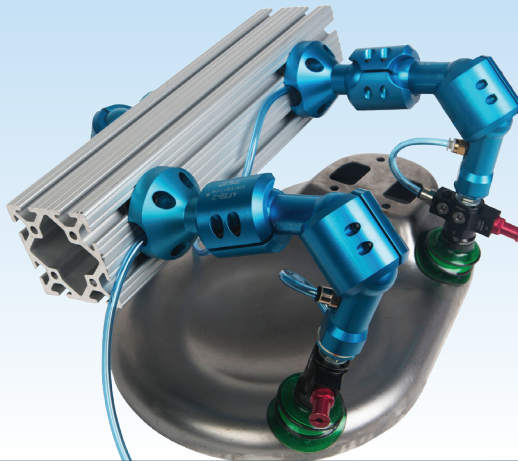
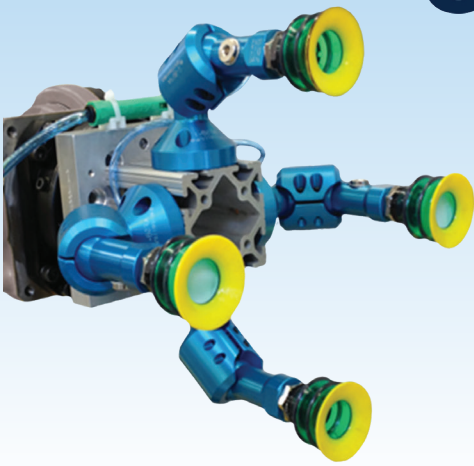
QUICK KITSPG. 34

UNIQUE SOLUTIONS

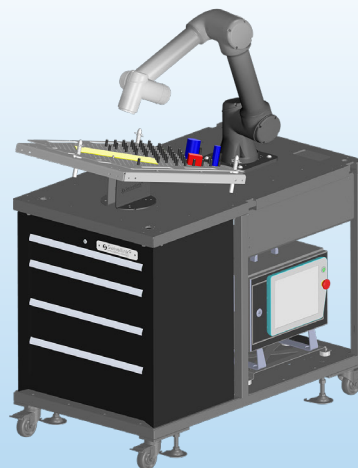
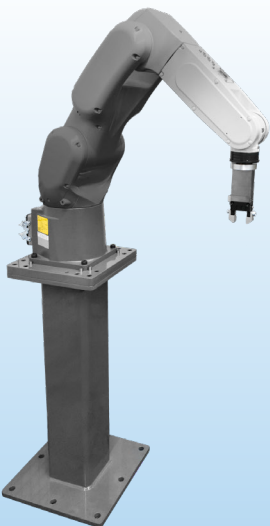
Mounting Solutions



Custom EOAT

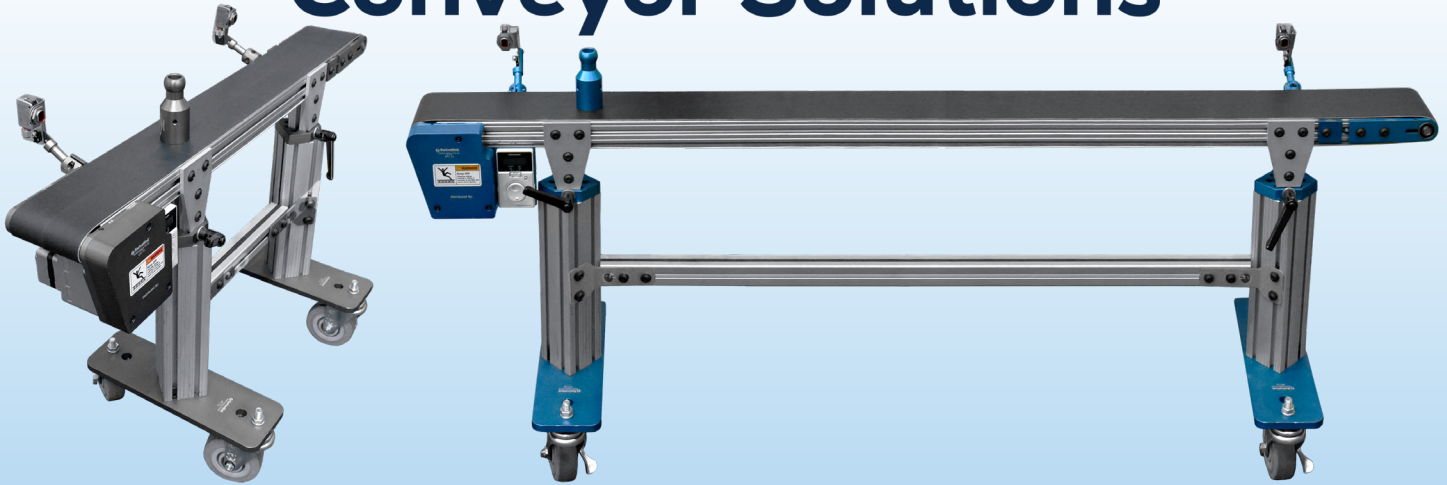


Robot Accessories



FOR ALL YOUR AUTOMATION NEEDS!

Conveyor Solutions

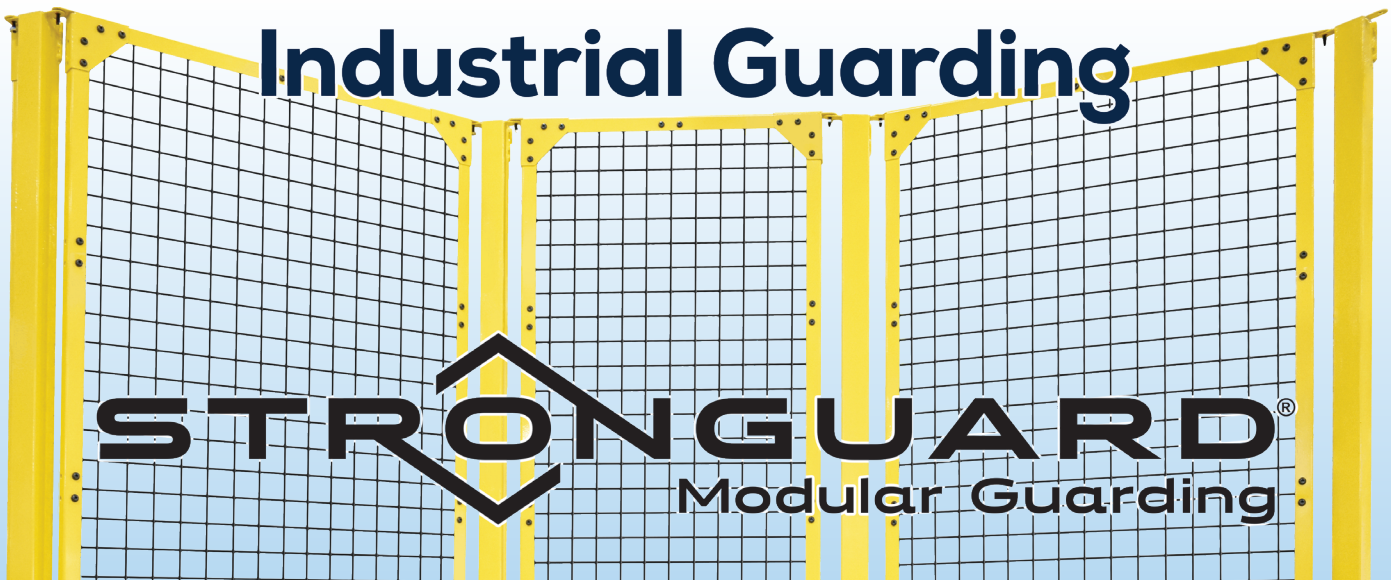


Safety Devices



Industrial Guarding

STRONG GUARD[®]
Modular Guarding



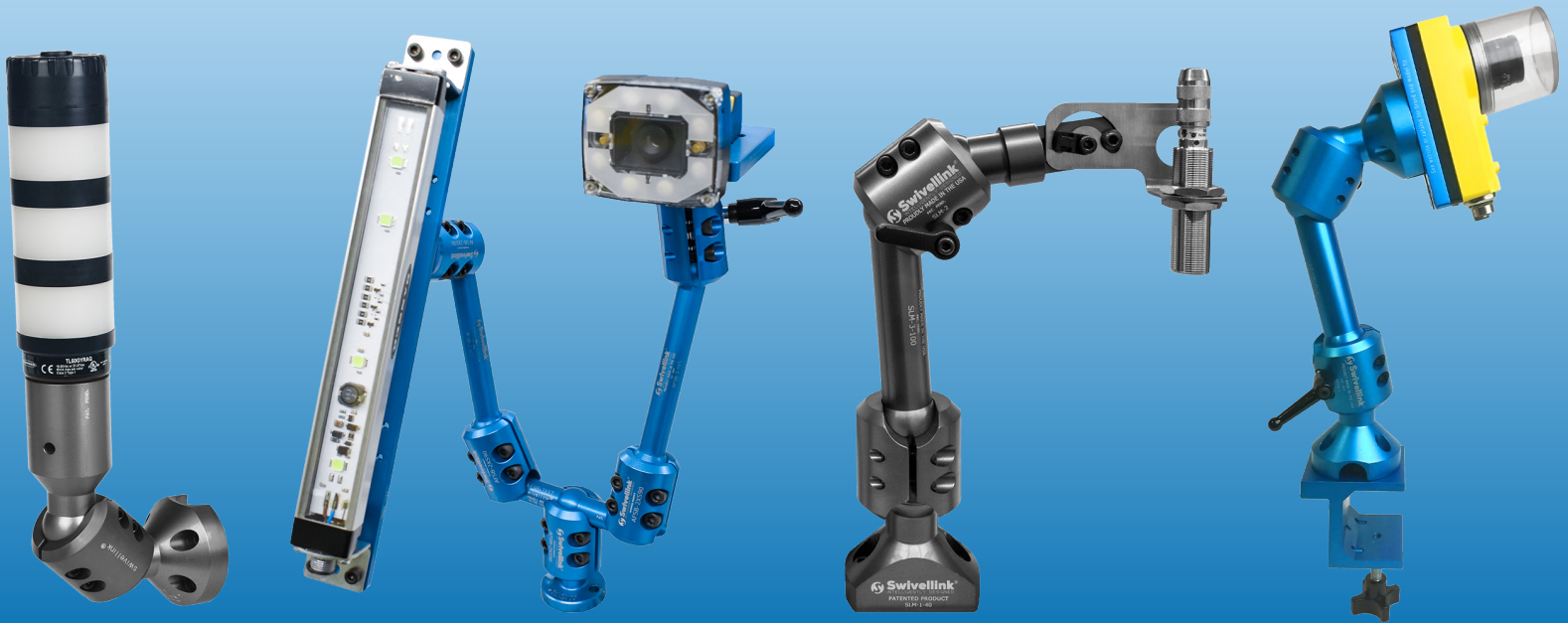
MOUNT THESE GREAT BRANDS, AND MORE!



*All logos are the intellectual property of the respective companies they represent.

Be sure to visit the Brand Match section on our website as we are always adding new brands and plates!

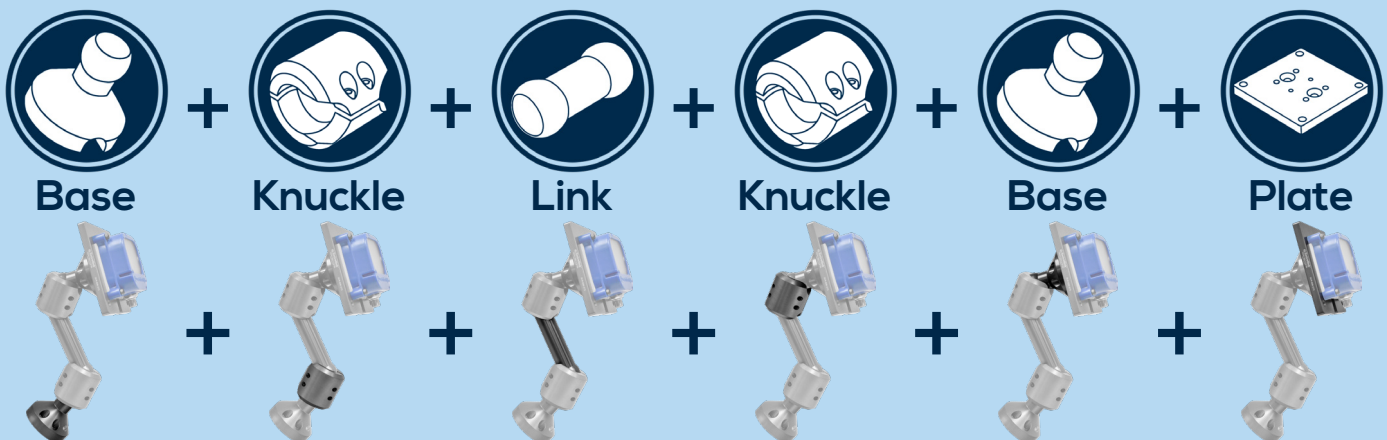
swivellink.com/product-brand-match



Swivellink mounting arms are the preferred choice for mounting vision products. There are several key features to take advantage of.

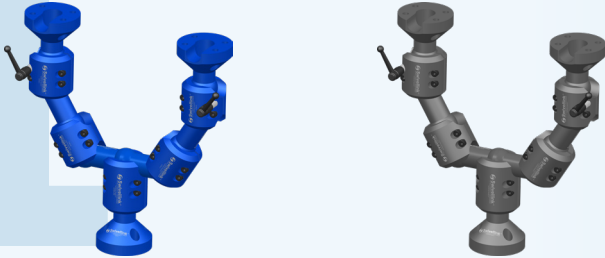
- Available in three sizes (XS, Standard, Heavy Duty)
- Available in Metric or Imperial
- Thru hole for wire management and protection
- Easy to install and adjust
- Several mounting plate options available
- Sold worldwide

Create Your Swivellink Mount!



Step 1.

Imperial or Metric



When creating a Swivellink® mount the first thing you must decide is Imperial or Metric. The imperial will come with standard/English hardware and be blue in color. The metric will come with metric hardware and be gray in color. The screws supplied for the plates will vary between standard and metric depending on what the attached component requires.

HD Series is not currently available in Metric.

Step 2.

Standard or Small

After you decide on a Metric or Imperial mount, the next thing is size. Swivellink® offers three different sizes to choose from that should allow you to find an option for most applications. The XS series is designed for light weight components. The Standard series is designed for light to medium weight components. The HD series is designed for medium to heavy weight components.

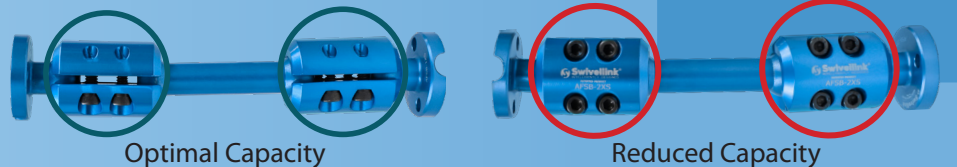
Below are some things to consider when choosing a size.

- Amount of weight the mount will be holding
- The overall length of the mount required
- Is there any vibration or motion where the Swivellink® arm will be mounted
- The area you have to work with

Strength may vary based on applications & the overall length of the mount:

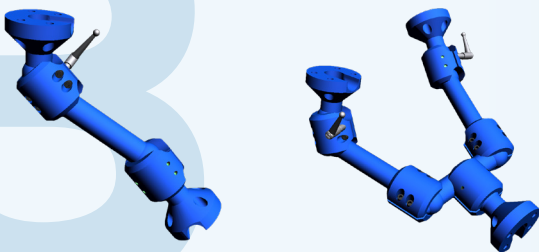
- **XS** – estimated hold weight 1-3 lbs or 0.45-1.36 kg (not recommended in areas with motion or vibration)
- **Standard** – estimated hold weight 4-30 lbs or 1.8-13.6 kg
- **HD** – estimated hold weight 31-70 lbs or 14-31.75 kg (limited to single arm Imperial mounts)

For optimal strength make sure the space between the knuckles is running the opposite direction of the angle of the link.



Step 3.

Single or Dual arm



With our mounts you have the option for a single or dual arm setup. A single arm will hold one component and a dual arm will hold two components.

For example, a dual arm allows you to hold a camera and light on one mount.

The knuckles needed for your mount are dependent on whether it's single or dual arm and the series of parts it's made of.

(HD series is only available as single arm Imperial mounts)

Step 4.

Link Sizes

Swivellink® offers different link sizes to help find that perfect length for most applications. Links are used with knuckles to extend the reach and increase the flexibility. The links are hollow to continue the cable routing ability.



XS Link Options:

- 2" and 4" (Imperial Series)
- 50mm and 100mm (Metric Series)
- Has 1/4" or 6.35mm hole clearance for cables

Standard Link Options:

- 2", 4", 6", 8", 12" (Imperial Series)
- 50mm, 100mm, 150mm, 200mm, 300mm (Metric Series)
- AFSB-3TSL-0610 (Imperial) & SLM-3TSL-150250 (Metric) Telescoping links
- Has 3/4" or 19.05mm hole clearance for cables

HD Link Options:

- 4" (Imperial Series)
- 6" (Imperial Series)
- Has 7/8" hole clearance for cables
- Not available in Metric

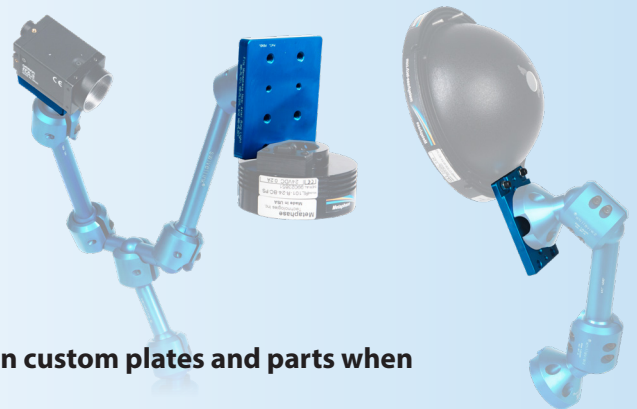
Step 5.

Mounting Plate

The mounting plate is what the component will attach to. Please see pages 7-18 for different mounting plate options and page 5 for the different brands we have plates for.

Most of our plates come with hardware to mount the specified camera/light/sensor/etc listed on the plate. We also have blank plates available for custom setups.

Please keep in mind that we machine our own parts so we can design custom plates and parts when needed. Please contact your local distributor for a quote.



Step 6.

Tools

When you have completed your kit we have a few accessories to decide on that might be handy.

We have a clamp base available when wanting to setup your mount for a quick setup and tear down.

Will work on surfaces 3/4" – 2" or 19mm - 50mm thick.



We have T-Handles available for tightening knuckles.

We also have a clamp handle available to help make quick adjustments in the positioning of the arms.

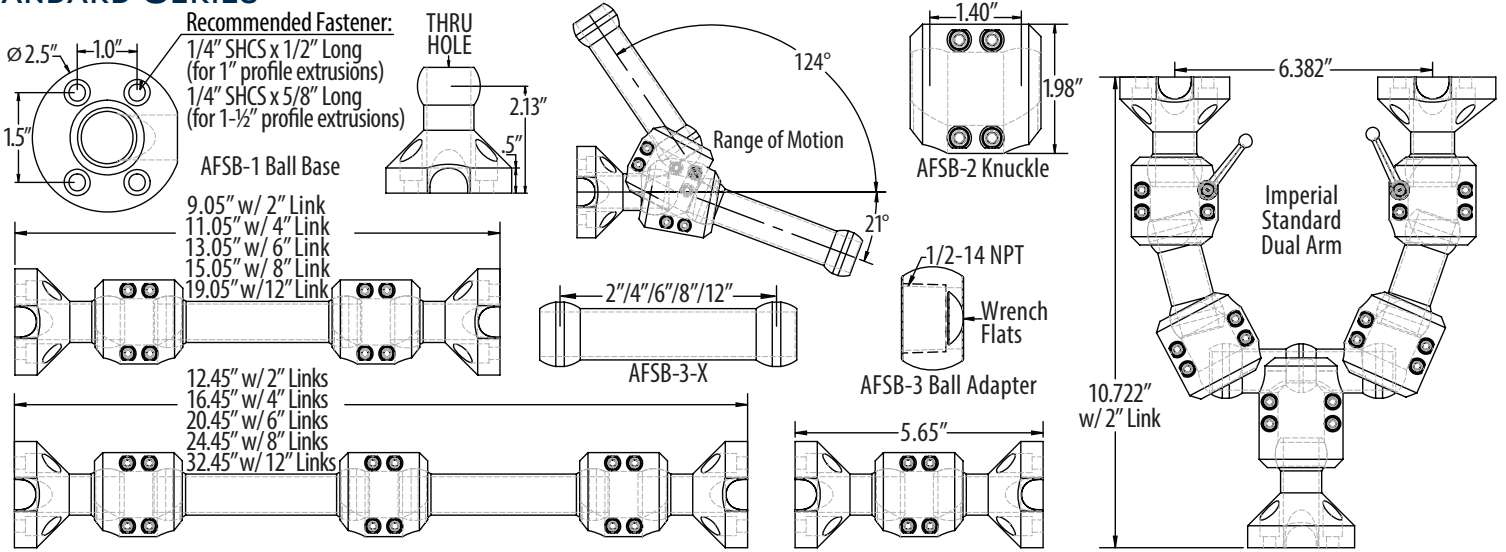
To use the clamp handle, remove one of the screws out of the knuckle and add the spacer and handle. Once the position is set, tighten the remaining screws. The handle and spacer can then be removed and the original screw can be re-inserted, or the handle can be left on the knuckle.

Removing the clamp handle only works with the standard series knuckle, the XS series will move out of position if you take the handle out to insert the regular screw.

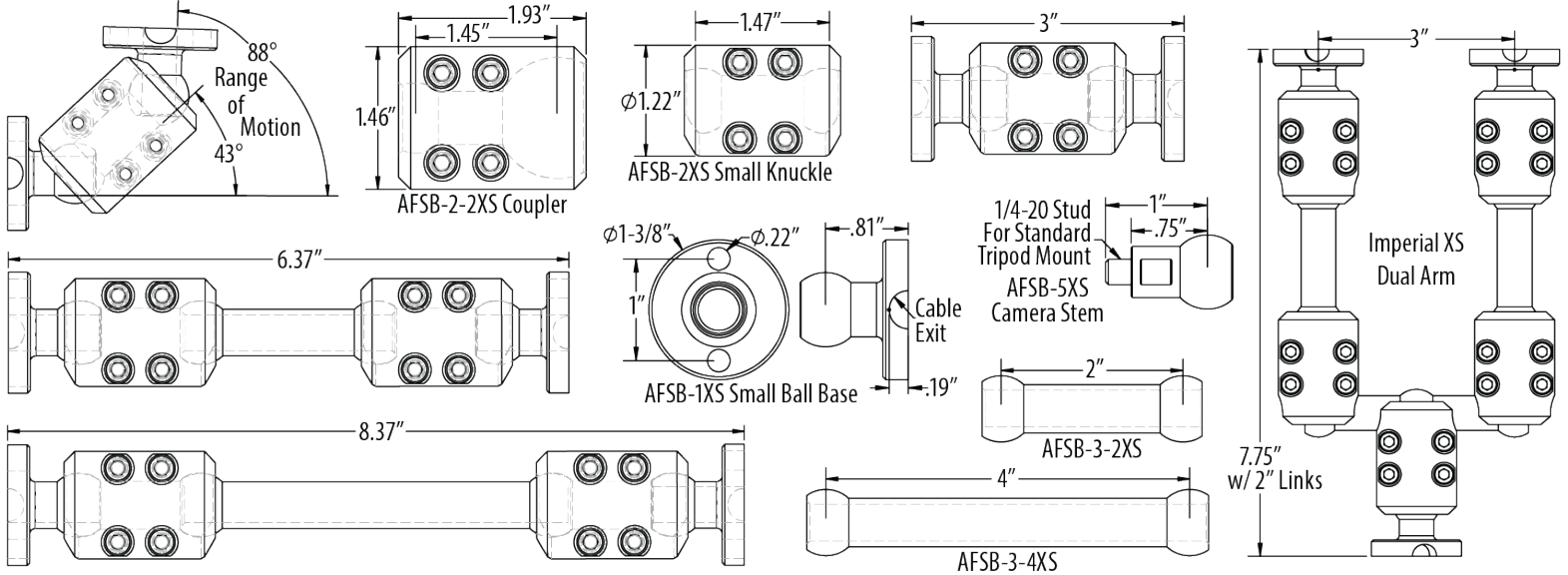


Be sure to visit the Brand match section on our website as we are always adding new brands and plates.

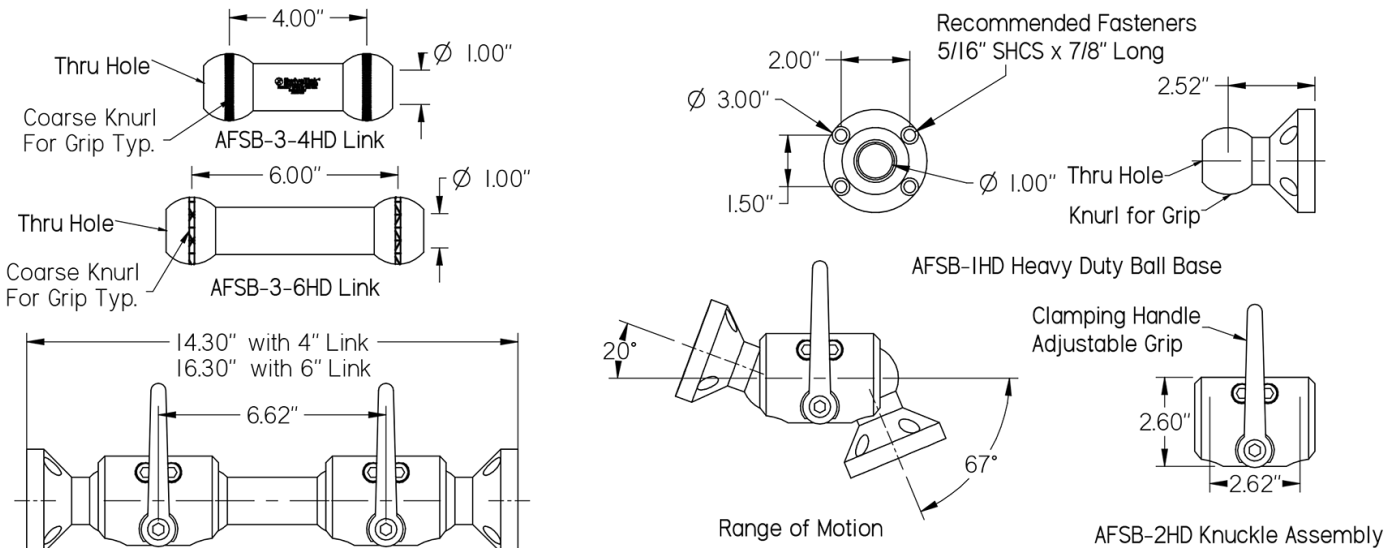
STANDARD SERIES



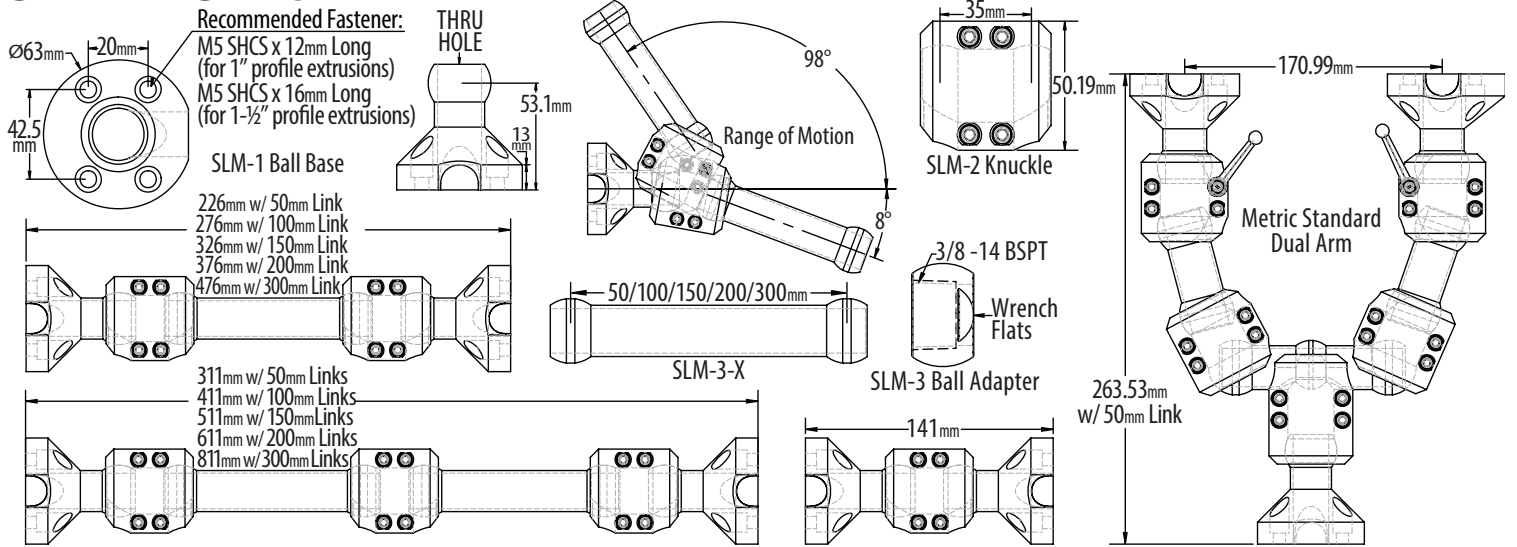
XS SERIES



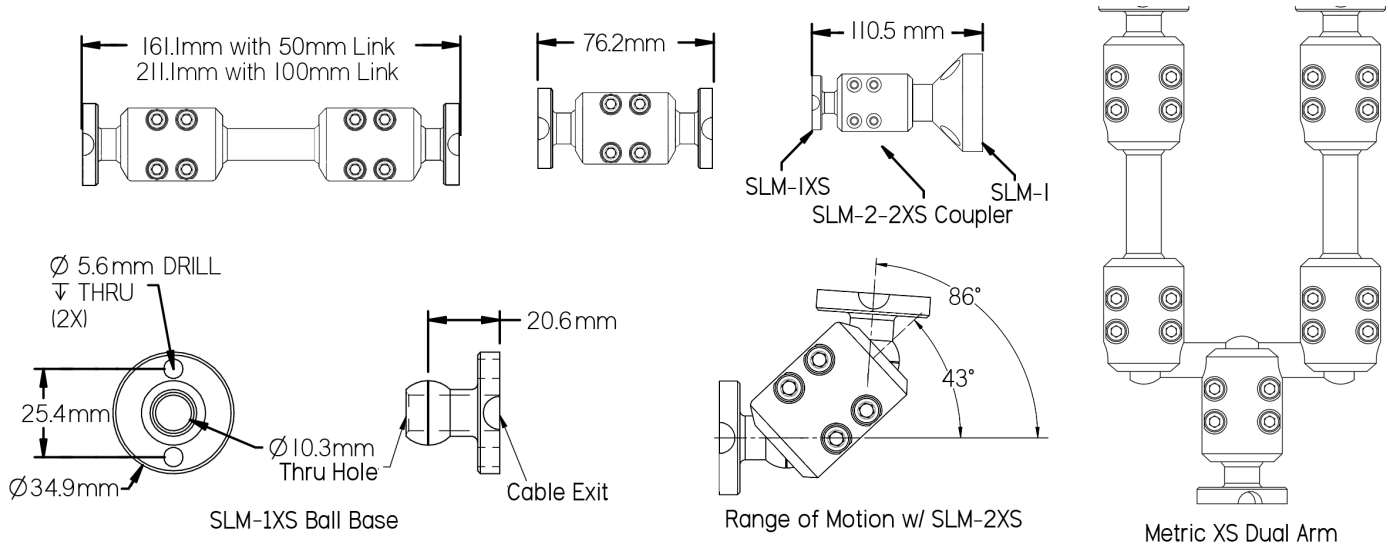
HD SERIES






STANDARD SERIES



XS SERIES



IMPERIAL		METRIC	
Part #	Description	Part #	Description
 Bases			
AFSB-1	Standard Ball Base	SLM-1	Standard Ball Base
AFSB-1XS	Small Ball Base	SLM-1XS	Small Ball Base
AFSB-1HD	Heavy Duty Ball Base	----	----
AFSB-1-15	Ball Base For Aluminum Extrusion	SLM-1-40	Ball Base For Aluminum Extrusion
 Knuckles			
AFSB-2	Standard Knuckle	SLM-2	Standard Knuckle
AFSB-290	Standard Tee Knuckle	SLM-290	Standard Tee Knuckle
AFSB-2XS	Small Knuckle	SLM-2XS	Small Knuckle
AFSB-2XS90	Small Tee Knuckle	SLM-2XS90	Small Tee Knuckle
AFSB-2HD	Heavy Duty Knuckle	----	----
AFSB-2-2XS	Coupler	SLM-2-2XS	Coupler
 Links			
AFSB-3-2	2" Link	SLM-3-50	50mm Link
AFSB-3-4	4" Link	SLM-3-100	100mm Link
AFSB-3-6	6" Link	SLM-3-150	150mm Link
AFSB-3-8	8" Link	SLM-3-200	200mm Link
AFSB-3-12	12" Link	SLM-3-300	300mm Link
AFSB-3T	Tee Link	SLM-3T	Tee Link
AFSB-3-2XS	Small 2" Link	SLM-3-50XS	Small 50mm Link
AFSB-3-4XS	Small 4" Link	SLM-3-100XS	Small 100mm Link
AFSB-3XST	Small Tee Link	SLM-3XST	Small Tee Link
AFSB-3-4HD	Heavy Duty 4" Link	----	----
AFSB-3-6HD	Heavy Duty 6" Link	----	----
AFSB-3TSL-0610	Telescoping Link	SLM-3TSL-150250	Telescoping Link

IMPERIAL		METRIC		Fits
Imperial #	Mounts to	Metric #	Mounts to	
Adapters				
AFSB-2-2XS	Imperial Standard or XS ball ends	SLM-2-2XS	Metric Standard or XS ball ends	This coupler connects a standard size ball to an XS series ball. This is great for mixing and matching to meet your needs.
AFSB-3	AFSB-2, AFSB-290, AFSB-2-2XS	SLM-3	SLM-2, SLM-290, SLM-2-2XS	A ball adapter that can only be used with a 1/2" NPT threaded pipe (Imperial) or a 3/8-19 BSPT (Metric) to acquire any length necessary.
AFSB-12-28.5	AFSB-2, AFSB-2XS	----	----	Allows the 28.5MM ball to fit into AFSB-2 or AFSB-290 for a large range of motion.
Button Mount				
AFSB-4	AFSB-2, AFSB-290	SLM-4	SLM-2, SLM-290	Protects button from damage w/ threaded M30 x 1.5 & room for the cable connection inside.
Table Clamps				
AFSB-CB	AFSB-1, AFSB-1XS	SLM-CB	SLM-1, SLM-1XS	Can be used to mount any Swivellink to the side of a table & includes a tightening knob.
Handles				
AFSB-CLAMP HANDLE	AFSB-2, AFSB-290, AFSB-2XS, AFSB-2XS90, AFSB-2-2XS	SLM-CLAMP HANDLE	SLM-2, SLM-290, SLM-2XS, SLM-2XS90, SLM-2-2XS	The clamp handle kit can be used in the standard and XS series knuckles to make quick adjustments in the positioning of the arms. Remove one of the screws of the knuckle and add the spacer and handle. Once the position is set, tighten the remaining screws. The handle and spacer can then be removed and the original screw can be re-inserted, or the handle can be left on the knuckle.
Tools				
SL-0316-T	---	---	---	The 3/16 T-Handle wrench is used on the standard series to mount the AFSB-1 Ball Base to all of the standard series plates.
SL-0532-T	---	---	---	The 5/32 T-Handle wrench is for screws in all the standard series and XS series knuckles (AFSB-2, AFSB-290, AFSB-2XS, AFSB-2XS90, and AFSB-2-2XS) as well as the AFSB-1XS Ball Base mounting to the XS series mounting plates.
---	---	SLM-4MMT	---	The 4mm T-Handle is used in all metric series knuckles and to mount metric ball bases to metric mounting plates.

IMPERIAL		METRIC		Description/Fits
Part #	Mounts to	Part #	Mounts to	
Sensor Mounts				
AFSB-7	AFSB-2, AFSB-290, AFSB-2-2XS	SLM-7	SLM-2, SLM-290, SLM-2-2XS	Fits: 30mm threaded barrel-type sensors
AFSB-7XS	AFSB-2XS, AFSB-2XS90, AFSB-2-2XS	SLM-7XS	SLM-2XS, SLM-2XS90, SLM-2-2XS	Fits: 12mm threaded barrel-type sensors
AFSB-8	AFSB-2, AFSB-290, AFSB-2-2XS	SLM-8	SLM-2, SLM-290, SLM-2-2XS	Fits: 18mm threaded barrel-type sensors
AFSB-8XS	AFSB-2XS, AFSB-2XS90, AFSB-2-2XS	SLM-8XS	SLM-2XS, SLM-2XS90, SLM-2-2XS	Fits: 8mm threaded barrel-type sensors
AFSB-SB-8	AFSB-SBH, AFSB-SBH-XS	SLM-SB-8	SLM-SBH, SLM-SBH-XS	Fits: 8mm threaded sensors
AFSB-SB-12	AFSB-SBH, AFSB-SBH-XS	SLM-SB-12	SLM-SBH, SLM-SBH-XS	Fits: 12mm threaded sensors
AFSB-SB-18	AFSB-SBH, AFSB-SBH-XS	SLM-SB-18	SLM-SBH, SLM-SBH-XS	Fits: 18mm threaded sensors
AFSB-SB-30	AFSB-SBH, AFSB-SBH-XS	SLM-SB-30	SLM-SBH, SLM-SBH-XS	Fits: 30mm threaded sensors
AFSB-SBH	AFSB-SB-30, AFSB-SB-18, AFSB-SB-12, AFSB-SB-8, AFSB-2, AFSB-290, AFSB-2-2XS	SLM-SBH	SLM-SB-30, SLM-SB-18, SLM-SB-12, SLM-SB-8, SLM-2, SLM-290, SLM-2-2XS	Standard sensor bracket holder
AFSB-SBH-XS	AFSB-SB-30, AFSB-SB-18, AFSB-SB-12, AFSB-SB-8, AFSB-2XS, AFSB-2XS90, AFSB-2-2XS	SLM-SBH-XS	SLM-SB-30, SLM-SB-18, SLM-SB-12, SLM-SB-8, SLM-2XS, SLM-2XS90, SLM-2-2XS	XS sensor bracket holder

IMPERIAL		METRIC	
Part #	Includes	Part #	Includes
Sensor Mounting Kits			
AFSB-1000-7	(1) AFSB-1 Ball Base, (1) AFSB-2 Knuckle, (1) AFSB-7 Sensor	SLM-1000-7	(1) SLM-1 Ball Base, (1) SLM-2 Knuckle, (1) SLM-7 Sensor
AFSB-1000-7XS	(1) AFSB-1XS Ball Base, (1) AFSB-2XS Knuckle, (1) AFSB-7XS Sensor	SLM-1000-7XS	(1) SLM-1XS Ball Base, (1) SLM-2XS Knuckle, (1) SLM-7XS Sensor
AFSB-1000-8	(1) AFSB-1 Ball Base, (1) AFSB-2 Knuckle, (1) AFSB-8 Sensor	SLM-1000-8	(1) SLM-1 Ball Base, (1) SLM-2 Knuckle, (1) SLM-8 Sensor
AFSB-1000-8XS	(1) AFSB-1XS Ball Base, (1) AFSB-2XS Knuckle, (1) AFSB-8XS Sensor	SLM-1000-8XS	(1) SLM-1XS Ball Base, (1) SLM-2XS Knuckle, (1) SLM-8XS Sensor
Sensor Bracket Kits			
AFSB-1000-SBKIT-8	(1) AFSB-1XS Base, (1) AFSB-2XS Knuckle, (1) AFSB-SBH-XS Sensor Holder, (1) AFSB-SB-8 Sensor Bracket	SLM-1000-SBKIT-8	(1) SLM-1XS Base, (1) SLM-2XS Knuckle, (1) SLM-SBH-XS Sensor Holder, (1) SLM-SB-8 Sensor Bracket
AFSB-1000-SBKIT-12	(1) AFSB-1XS Base, (1) AFSB-2XS Knuckle, (1) AFSB-SBH-XS Sensor Holder, (1) AFSB-SB-12 Sensor Bracket	SLM-1000-SBKIT-12	(1) SLM-1XS Base, (1) SLM-2XS Knuckle, (1) SLM-SBH-XS Sensor Holder, (1) SLM-SB-12 Sensor Bracket
AFSB-1000-SBKIT-18	(1) AFSB-1 Base, (1) AFSB-2 Knuckle, (1) AFSB-SBH Sensor Holder, (1) AFSB-SB-18 Sensor Bracket	SLM-1000-SBKIT-18	(1) SLM-1 Base, (1) SLM-2 Knuckle, (1) SLM-SBH Sensor Holder, (1) SLM-SB-18 Sensor Bracket
AFSB-1000-SBKIT-30	(1) AFSB-1 Base, (1) AFSB-2 Knuckle, (1) AFSB-SBH Sensor Holder, (1) AFSB-SB-30 Sensor Bracket	SLM-1000-SBKIT-30	(1) SLM-1 Base, (1) SLM-2 Knuckle, (1) SLM-SBH Sensor Holder, (1) SLM-SB-30 Sensor Bracket

IMPERIAL

METRIC

Part # Description/Includes

Part # Description/Includes

Single Arm Kits

These kits are made ready to mount any standard series mounting plate. Plates must be ordered separate. Kits come with (1) Clamp Handle.

AFSB-1002	(2) AFSB-1 Bases, (2) AFSB-2 Knuckles, (1) AFSB-3-2 Link	SLM-10050	(2) SLM-1 Bases, (2) SLM-2 Knuckles, (1) SLM-3-50 Link
AFSB-1002XS	(2) AFSB-1XS Bases, (2) AFSB-2XS Knuckles, (1) AFSB-3-2XS Link	SLM-10050XS	(2) SLM-1XS Bases, (2) SLM-2XS Knuckles, (1) SLM-3-50XS Link
AFSB-1004	(2) AFSB-1 Bases, (2) AFSB-2 Knuckles, (1) AFSB-3-4 Link	SLM-100100	(2) SLM-1 Bases, (2) SLM-2 Knuckles, (1) SLM-3-100 Link
AFSB-1004XS	(2) AFSB-1XS Bases, (2) AFSB-2XS Knuckles, (1) AFSB-3-4XS Link	SLM-100100XS	(2) SLM-1XS Bases, (2) SLM-2XS Knuckles, (1) SLM-3-100XS Link
AFSB-1006	(2) AFSB-1 Bases, (2) AFSB-2 Knuckles, (1) AFSB-3-6 Link	SLM-100150	(2) SLM-1 Bases, (2) SLM-2 Knuckles, (1) SLM-3-150 Link
AFSB-1008	(2) AFSB-1 Bases, (2) AFSB-2 Knuckles, (1) AFSB-3-8 Link	SLM-100200	(2) SLM-1 Bases, (2) SLM-2 Knuckles, (1) SLM-3-200 Link
AFSB-10012	(2) AFSB-1 Bases, (2) AFSB-2 Knuckles, (1) AFSB-3-12 Link	SLM-100300	(2) SLM-1 Bases, (2) SLM-2 Knuckles, (1) SLM-3-300 Link
AFSB-1000-3TSL	(2) AFSB-1 Ball Base, (2) AFSB-2 Knuckle, (1) AFSB-3TSL-0610 Telescoping Link	SLM-1000-3TSL	(2) SLM-1 Ball Base, (2) SLM-2 Standard Knuckle, (1) SLM-3TSL-150250 Telescoping Link

Dual Arm Kits

These kits utilize the Tee Knuckle so you can mount both a camera and a light. Plates must be ordered separate. Kits come with (2) Clamp Handles.

AFSB-1102	(3) AFSB-1 Bases, (4) AFSB-2 Knuckles, (1) AFSB-290 Tee Knuckle, (1) AFSB-3T Tee Link, (2) AFSB-3-2 Links	SLM-11050	(3) SLM-1 Bases, (4) SLM-2 Knuckles, (1) SLM-290 Tee Knuckle, (1) SLM-3T Tee Link, (2) SLM-3-50 Links
AFSB-1102XS	(3) AFSB-1XS Bases, (5) AFSB-2XS90 Knuckles, (1) AFSB-3XST Tee Link, (2) AFSB-3-2XS Link	SLM-11050XS	(3) SLM-1XS Bases, (5) SLM-2XS90 Knuckles, (1) SLM-3XST Tee Link, (2) SLM-3-50XS Link
AFSB-1104	(3) AFSB-1 Bases, (4) AFSB-2 Knuckles, (1) AFSB-290 Tee Knuckle, (1) AFSB-3T Tee Link, (2) AFSB-3-4 Links	SLM-110100	(3) SLM-1 Bases, (4) SLM-2 Knuckles, (1) SLM-290 Tee Knuckle, (1) SLM-3T Tee Link, (2) SLM-3-100 Links
AFSB-1104XS	(3) AFSB-1XS Bases, (5) AFSB-2XS90 Knuckles, (1) AFSB-3XST Tee Link, (2) AFSB-3-4XS Link	SLM-110100XS	(3) SLM-1XS Bases, (5) SLM-2XS90 Knuckles, (1) SLM-3XST Tee Link, (2) SLM-3-100XS Link
AFSB-1106	(3) AFSB-1 Bases, (4) AFSB-2 Knuckles, (1) AFSB-290 Tee Knuckle, (1) AFSB-3T Tee Link, (2) AFSB-3-6 Links	SLM-110150	(3) SLM-1 Bases, (4) SLM-2 Knuckles, (1) SLM-290 Tee Knuckle, (1) SLM-3T Tee Link, (2) SLM-3-150 Links
AFSB-1108	(3) AFSB-1 Bases, (4) AFSB-2 Knuckles, (1) AFSB-290 Tee Knuckle, (1) AFSB-3T Tee Link, (2) AFSB-3-8 Links	SLM-110200	(3) SLM-1 Bases, (4) SLM-2 Knuckles, (1) SLM-290 Tee Knuckle, (1) SLM-3T Tee Link, (2) SLM-3-200 Links
AFSB-11012	(3) AFSB-1 Bases, (4) AFSB-2 Knuckles, (1) AFSB-290 Tee Knuckle, (1) AFSB-3T Tee Link, (2) AFSB-3-12 Links	SLM-110300	(3) SLM-1 Bases, (4) SLM-2 Knuckles, (1) SLM-290 Tee Knuckle, (1) SLM-3T Tee Link, (2) SLM-3-300 Links

Operator Kits

AFSB-1000-4	This kit has a M30 thread for mounting start or E-stop button. Includes: (1) AFSB-4 Button Base, (1) AFSB-1 Base, (1) AFSB-2 knuckle	SLM-1000-4	This kit has a M30 thread for mounting start or E-stop button. Includes: (1) SLM-4 Button Base, (1) SLM-1 Base, (1) SLM-2 knuckle
AFSB-1000-7	This kit has an AFSB-7 with a 30mm thread for mounting stack lights for status. Includes: (1) AFSB-7 Sensor Mount, (1) AFSB-1 Base, (1) AFSB-2 knuckle	SLM-1000-7	This kit has an SLM-7 with a 30mm thread for mounting stack lights for status. Includes: (1) SLM-7 Sensor Mount, (1) SLM-1 Base, (1) SLM-2 knuckle
AFSB-1002XS-5XS	Imperial Universal Tripod Small Single Arm Kit - Includes: (1) AFSB-1XS Base, (2) AFSB-2XS90 Tee Knuckle, (1) AFSB-3-2XS Link, (1) AFSB-5XS Camera Stem	SLM-10050XS-5XS	Metric Universal Tripod Small Single Arm Kit - Includes: (1) SLM-1XS Base, (2) SLM-2XS90 Tee Knuckle, (1) SLM-3-50XS Link, (1) SLM-5XS Camera Stem
AFSB-1044-9	This kit has a monitor mount for VESA 75mm and 100mm Includes: (1) AFSB-9 Plate, (2) AFSB-1 Bases, (3) AFSB-2 knuckles, (2) AFSB-3-4" Links.	SLM-100100100-9	This kit has a monitor mount for VESA 75mm and 100mm Includes: (1) SLM-9 Plate, (2) SLM-1 Bases, (3) SLM-2 knuckles, (2) SLM-3-100mm Link
AFSB-1100	This kit is a base Tee Link kit ready for additions. Includes: (1) AFSB-1 base, (1) AFSB-290 T-Knuckle, (1) AFSB-3T T-Link, (2) AFSB-2 knuckle	SLM-1100	This kit is a base Tee Link kit ready for additions. Includes: (1) SLM-1 base, (1) SLM-290 T-Knuckle, (1) SLM-3T T-Link, (2) SLM-2 Knuckle
AFSB-1100-4	This kit has 2 AFSB-4 which have M30 threads for mounting start/stop buttons. Includes: (2) AFSB-4 Button Bases, (1) AFSB-1 Base, (1) AFSB-290 T-knuckle, (1) AFSB-3T T-Link, (2) AFSB-2 knuckle	SLM-1100-4	This kit has 2 SLM-4 which have M30 threads for mounting start/stop buttons. Includes: (2) SLM-4 Button Bases, (1) SLM-1 Base, (1) SLM-290 T-knuckle, (1) SLM-3T T-Link, (2) SLM-2 Knuckle
AFSB-1102XS-5XS	Imperial Universal Tripod Small Dual Arm Kit - Includes: (2) AFSB-1XS Base, (5) AFSB-2XS90 Tee Knuckle, (2) AFSB-3-2XS Link, (1) AFSB-5XS Camera Stem	SLM-11050XS-5XS	Metric Universal Tripod Small Dual Arm Kit - Includes: (2) SLM-1XS Base, (5) SLM-2XS90 Tee Knuckle, (2) SLM-3-50XS Link, (1) SLM-5XS Camera Stem

The Swivellink® demo kit is a must have for research development, maintenance, spare parts, and showing equipment to a first time user.

Each Demo Kit comes with 2 mounting plates.

IMPERIAL SL-DEMO CASE

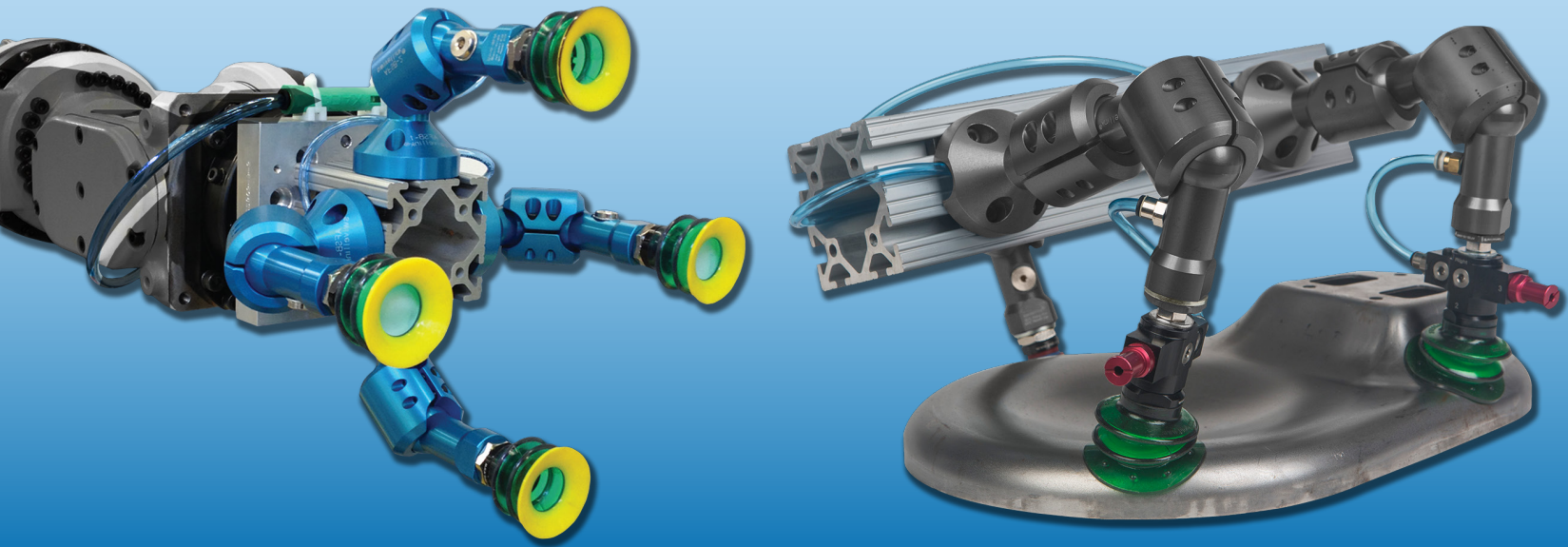


+

METRIC SLM-DEMO CASE



+



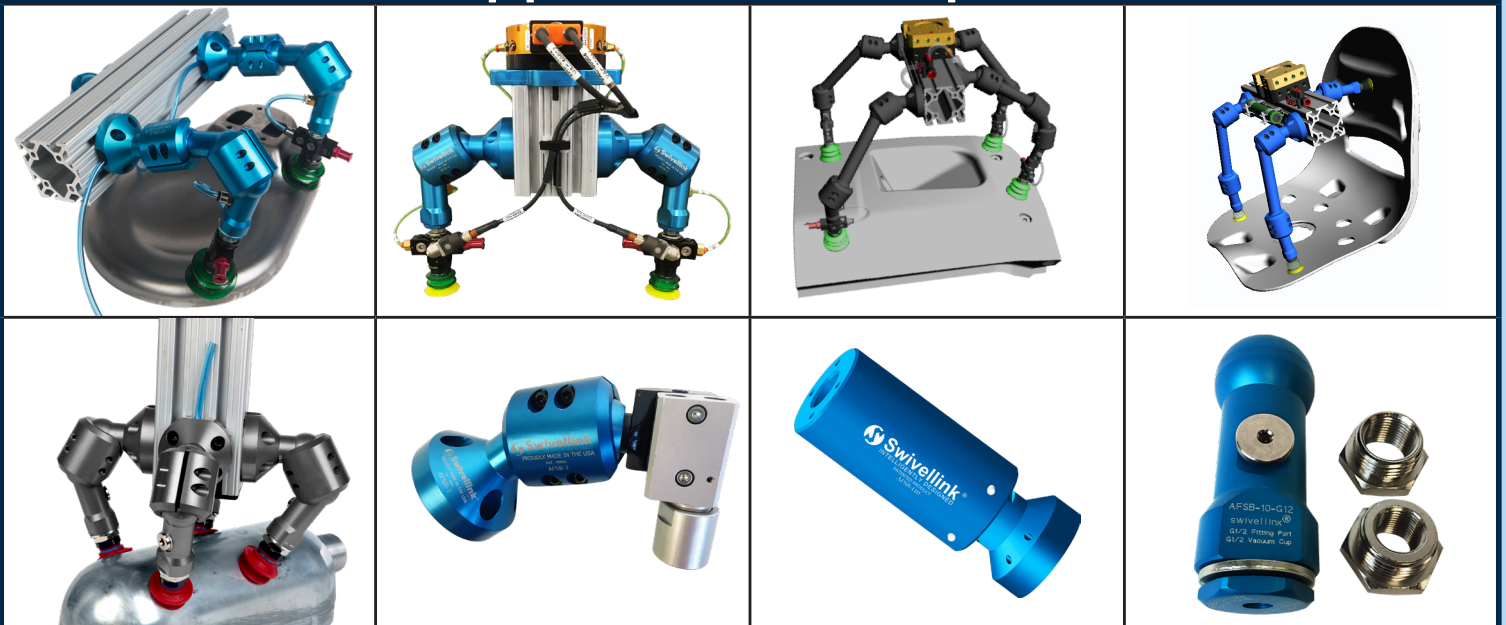
Creating your own EOAT has never been easier.

Our vacuum kits include everything needed to add vacuum to any standard series product.

**Does not include vacuum cups or hoses.*

- Multiple kit variations to fit your needs.
- The supply hose routes back through the Swivellink components for a clean and reliable solutions with no exposed hoses.
- Design a centralized or decentralized setup.
- Side port allows the pressure supply to run internally and the only exposed hose is at the gripper.
- Can be redesigned and used for multiple applications.
- Available in Metric or Imperial

Application Examples



IMPERIAL

METRIC

Part # **Description**

Part # **Description**

Kits - Vacuum components not included

AFSB-10-V	Vacuum adaptor with G1/2 fitting, G1/4 fitting, G3/8 fitting, and M8 fitting, special adaptor for mounting de-centralized vacuum grippers with M8 stud	SLM-10-V	Vacuum adaptor with G1/2 fitting, G1/4 fitting, G3/8 fitting, and M8 fitting, special adaptor for mounting de-centralized vacuum grippers with M8 stud
AFSB-10-V12	Vacuum adaptor with G1/2 fitting	SLM-10-V12	Vacuum adaptor with G1/2 fitting
AFSB-10-V14	Vacuum Adaptor with G1/4 fitting	SLM-10-V14	Vacuum Adaptor with G1/4 fitting
AFSB-10-V38	Vacuum adaptor with G3/8 fitting	SLM-10-V38	Vacuum adaptor with G3/8 fitting
AFSB-10-VM8	Vacuum adaptor with M8 fitting	SLM-10-VM8	Vacuum adaptor with M8 fitting
AFSB-1000-10-V	This kit adds a knuckle and a ball base to the AFSB-10-V for a great start to building your vacuum gripper. By adding links and knuckles, this kit can be extended to fit most any need. Includes: (1) AFSB-10-V Vacuum Kit, (1) AFSB-1 base, (1) AFSB-2 knuckle.	SLM-1000-10-V	This kit adds a knuckle and a ball base to the SLM-10-V for a great start to building your vacuum gripper. By adding links and knuckles, this kit can be extended to fit most any need. Includes: (1) SLM-10-V Vacuum Kit, (1) SLM-1 base, (1) SLM-2 knuckle.
AFSB-EOAT-KIT	This kit is ready to add a robot mounting plate and vacuum cups to create a 4 arm vacuum gripper. Includes: (4) AFSB-1000-10-V gripper arms, Aluminum Extrusion, and bottom cap	SLM-EOAT-KIT	This kit is ready to add a robot mounting plate and vacuum cups to create a 4 arm vacuum gripper. Includes: (4) SLM-1000-10-V gripper arms, Aluminum Extrusion, and bottom cap

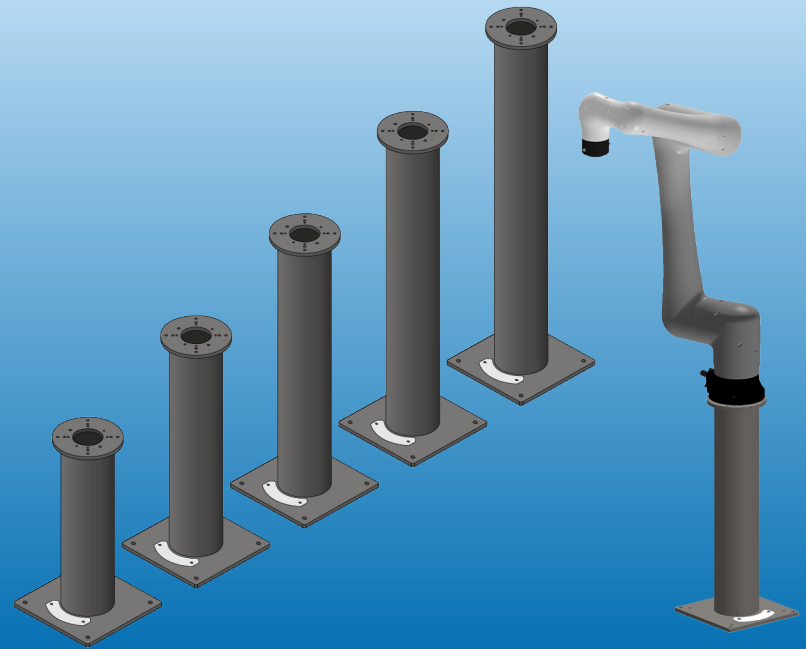
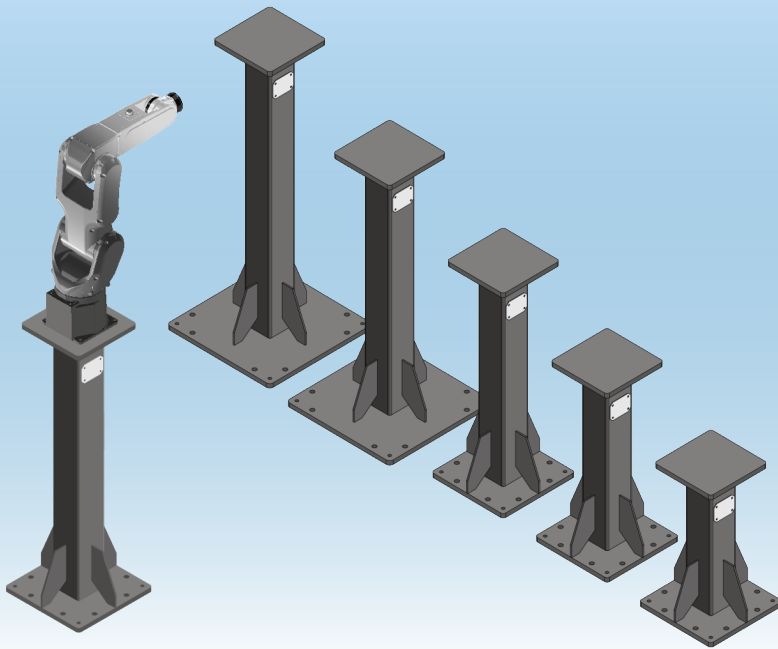
Robot Face Adapter Plates

AFSB-100-EOAT	This adapter plate mounts to the robot adapter plate and to aluminum 1.5" and 1.0" series extrusions either vertically or horizontally. This plate can also mount (2) or (4) AFSB-1000-10-V vacuum arms directly onto the plate instead of using the aluminum extrusion.	SLM-100-EOAT	This adapter plate mounts to robot adapter plate and to aluminum 1.5" and 1.0" series extrusions either vertically or horizontally. This plate can also mount (2) or (4) SLM-1000-10-V vacuum arms directly onto the plate instead of using the aluminum extrusion.
AFSB-101-M6X4-50	This adapter plate mounts to the ISO 50 style robots. This plate can also mount (4) AFSB-1000-10-V vacuum arms directly onto the plate. (Pattern is (4) M6 Bolts)	SLM-101-M6X4-50	This adapter plate mounts to the ISO 50 style robots. This plate can also mount (4) SLM-1000-10-V vacuum arms directly onto the plate. (Pattern is (4) M6 Bolts)
AFSB-102-ISO 50	Fits: ISO 50 + (1) AFSB-1000-10-V vacuum arm mounting pattern	SLM-102-ISO 50	Fits: ISO 50 + (1) SLM-1000-10-V vacuum arm mounting pattern
AFSB-103-M5X4-31.5	This adaptor plate mounts to the ISO 31.5 style robots. This plate can also mount (4) AFSB-1000-10-V vacuum arms directly to the plate. Pattern is (4) M5 bolts)	SLM-103-M5X4-63	This adaptor plate mounts to the ISO 31.5 style robots. This plate can also mount (4) SLM-1000-10-V vacuum arms directly to the plate. Pattern is (4) M5 bolts)
AFSB-104-M6X4-40	This adaptor plate mounts to the ISO 40 style robots. This plate can also mount (4) AFSB-1000-10-V vacuum arms directly to the plate. Pattern is (4) M6 bolts)	SLM-104-M6X4-40	This adaptor plate mounts to the ISO 40 style robots. This plate can also mount (4) SLM-1000-10-V vacuum arms directly to the plate. Pattern is (4) M6 bolts)
AFSB-105-M6X4-63	This adaptor plate mounts to the ISO 63 style robots. This plate can also mount (4) AFSB-1000-10-V vacuum arms directly to the plate. Pattern is (4) M6 bolts)	SLM-105-M6X4-63	This adaptor plate mounts to the ISO 63 style robots. This plate can also mount (4) SLM-1000-10-V vacuum arms directly to the plate. Pattern is (4) M6 bolts)

Compensators

AFSB-112	Spring Loaded Compensator Assembly	SLM-112	Spring Loaded Compensator Assembly
----------	------------------------------------	---------	------------------------------------

Pedestals Ranging from 12" to 48" Tall in 6" Increments



Holes for leveling and anchoring • RAL7010 Powder Coat Finish • Welded Construction

STANDARD LINE

- Perfect for small fast-moving robots with industrial torque
- One mounting pattern machined in top plate per order if print/specification provided, otherwise comes with a blank top plate
- Optional extrusion kit available for accessory mounting

COBOT LINE

- Perfect for collaborative style robots
- CB200 series mounts the UR3, UR3E, UR5, UR5E, UR10, UR10E, UR16, UR16E, FANUC CRX-10iA, CRX-10iA/L, Omron TM5, TM12, TM14
- Designed with a thru-hole for routing cables, providing a nice clean look

ROBOT PEDESTALS

Part #	Description
Standard Series	
Robot base must fit on 11"x11" plate. Pedestal/robot mounting hardware not included. Anchor hole size 3/4" - Leveling thread size 5/8-11UNC Includes custom-drilled top plate **Non-Returnable**	
RB-PED-24-CUSTOM	24" Standard Robot Pedestal
RB-PED-30-CUSTOM	30" Standard Robot Pedestal
RB-PED-36-CUSTOM	36" Standard Robot Pedestal
RB-PED-42-CUSTOM	42" Standard Robot Pedestal
RB-PED-48-CUSTOM	48" Standard Robot Pedestal

Part #	Description
COBOT Series	
Pedestal/robot mounting hardware not included. Anchor hole size 1/2" - Leveling thread size 1/2-13UNC	
RB-PED-12-CB200	12" Robot Pedestal
RB-PED-18-CB200	18" Robot Pedestal
RB-PED-24-CB200	24" Robot Pedestal
RB-PED-30-CB200	30" Robot Pedestal
RB-PED-36-CB200	36" Robot Pedestal
RB-PED-42-CB200	42" Robot Pedestal
RB-PED-48-CB200	48" Robot Pedestal

ADAPTORS AND ACCESSORIES

Part #	Description/Includes
Standard Series	
RB-PED-EXTKIT	Extruded aluminum kit that mounts to the side of the standard pedestal for accessory mounting (valve bank, cable management, etc.)
COBOT Series - (hardware to mount adapter to pedestal included - robot mounting hardware not included)	
RB-15ADAPTER-CB200	15 degree robot adapter for (UR3, UR3E, UR5, UR5E, UR10, UR10E, UR16, UR16E) (FANUC CRX-10iA, CRX-10iA/L) (Omron TM5, TM12, TM14)
RB-45ADAPTER-CB200	45 degree robot adapter for (UR3, UR3E, UR5, UR5E, UR10, UR10E, UR16, UR16E) (FANUC CRX-10iA, CRX-10iA/L) (Omron TM5, TM12, TM14)

ROBOT MOUNTING KITS

Part #	Description/Includes - Hardware for Mounting Robot Not Included
RB-MP-MOTOMINI-KIT	Fully Assembled Robot Mounting Kit for MOTOMINI Robots Kit Includes: (1) 80/20 Mounting Frame Assembly, (1) MOTOMINI Mounting Plate, (4) Aluminum Extrusion End Caps
RB-MP-UR3E-KIT	Fully Assembled Robot Mounting Kit for UR3/3E Series Robots - Hardware for Mounting Robot Not Included Kit Includes: (1) 80/20 Mounting Frame Assembly, (1) RB-MP-U3RE Mounting Plate, (4) Aluminum Extrusion End Caps
RB-MP-UR5E-10E-KIT	Fully Assembled Robot Mounting Kit for UR5/5E & UR10/10E Series Robots - Hardware for Mounting Robot Not Included Kit Includes: (1) 80/20 Mounting Frame Assembly, (1) RB-MP-U5RE-10E Mounting Plate, (4) Aluminum Extrusion End Caps

TEACH PENDANT KITS

IMPERIAL		METRIC	
Part #	Description	Part #	Description
AFSB-1004-TPH	Single Arm Robot Teach Pendant Holder w/ 4" Link Kit Includes: (2) AFSB-1 Ball Base, (2) AFSB-2 Knuckle, (1) AFSB-3-4 Link, (1) RB-TPH Teach Pendant Holder	SLM-100100-TPH	Metric Single Arm Robot Teach Pendant Holder w/ 100mm Link Kit Includes: (2) SLM-1 Ball Base, (2) SLM-2 Knuckle, (1) SLM-3-100 Link, (1) RB-TPH Teach Pendant Holder

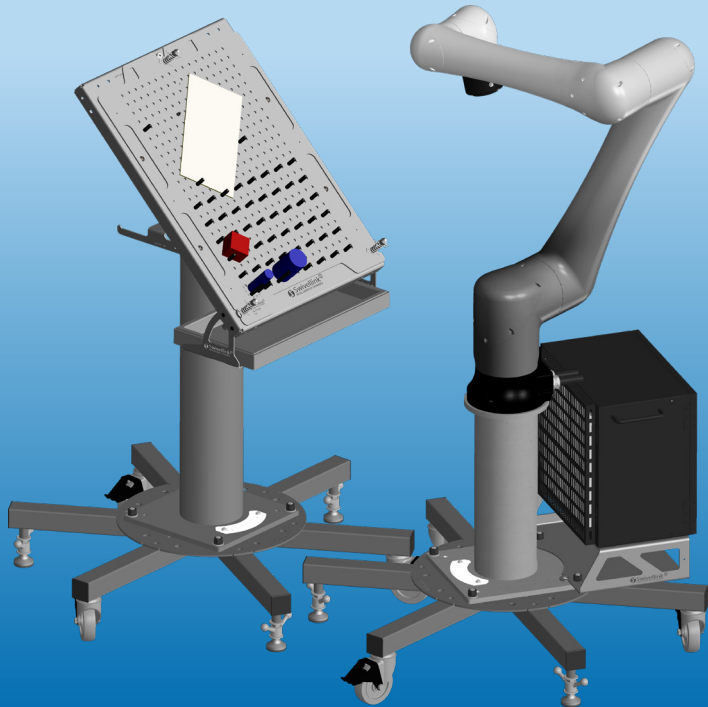
TEACH PENDANT HOLDERS

Part #	Description
RB-TPH	Teach Pendant Holder
RB-TPH-FAN-CRX	Teach Pendant Holder for FANUC CRX

MOBILE BASE

Part #	Description
RB-MB-COBOT	Mobile base with leveling feet and casters
RB-MB-ANCHOR	Anchor for mobile base leveling foot





MOBILE BASE & PARTS FEEDER

- Heavy-duty stainless-steel
- Setup information cut into template
- Robot calibration touch off indicators
- Diamond pattern settles parts into V for precise location
- Stackable templates to support taller parts
- Several template options

MOBILE BASE

Part #	Description
RB-MB-COBOT	Mobile base with leveling feet and casters
RB-MB-ANCHOR	Anchor for mobile base leveling foot

PARTS PRESENTATION KITS

Includes: Parts platform, 45° base adapter, template storage rack, catch pan & brackets, COBOT pedestal

Part #	Pedestal Height
RB-PPS-12CB200-45KIT	12"
RB-PPS-18CB200-45KIT	18"
RB-PPS-24CB200-45KIT	24"
RB-PPS-30CB200-45KIT	30"
RB-PPS-36CB200-45KIT	36"
RB-PPS-42CB200-45KIT	42"
RB-PPS-48CB200-45KIT	48"

PARTS FEEDER TEMPLATES

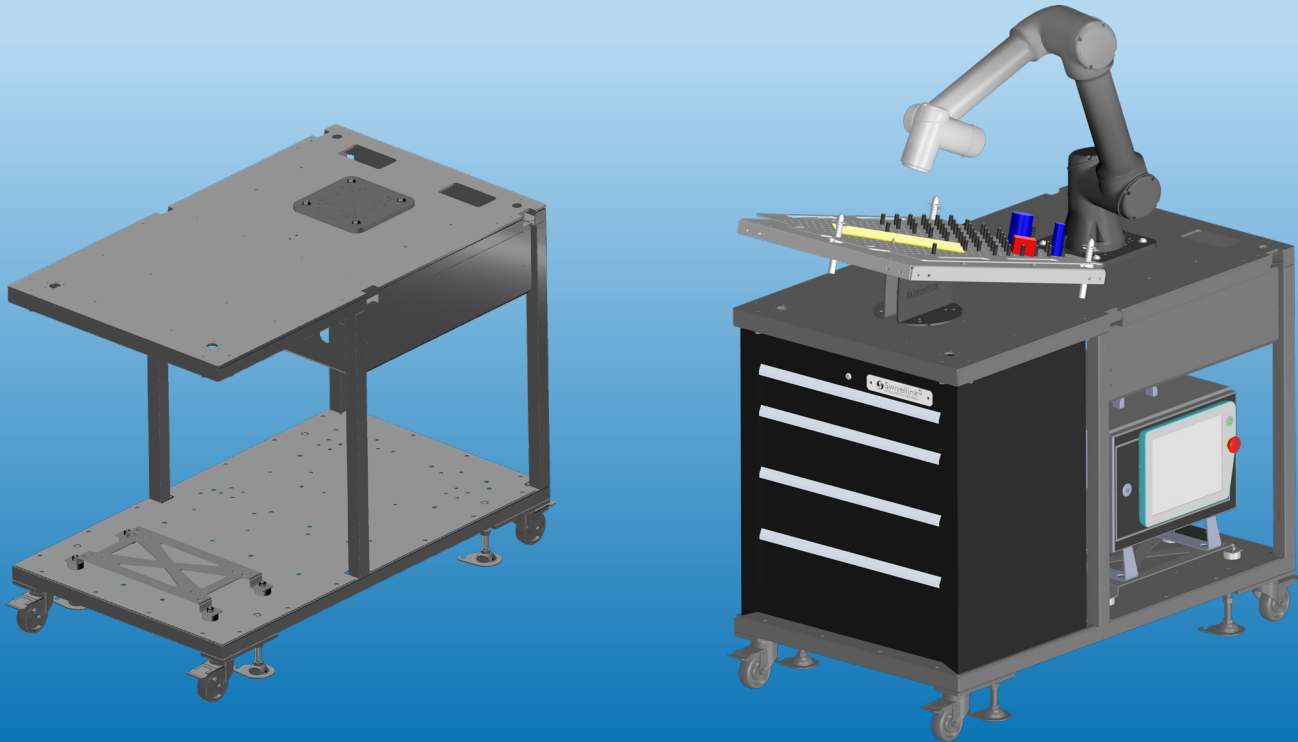
Part #	Spacing	Holds
RB-PFT-3096	30mm	96 parts
RB-PFT-6024	60mm	24 parts
RB-PFT-9012	90mm	12 parts
RB-PFT-BLANK	blank	
RB-PFT-PB25	adjustable	
RB-PFT-PB25-KIT	adjustable - comes with 2 rest pads	

PLATFORM KITS

Part #	Description
RB-PFT-BASE-KIT	Flat platform for parts feeder
RB-PFT-15BASE-KIT	15° Base Kit
RB-PFT-45BASE-KIT	45° Base Kit

PARTS FEEDER ACCESSORIES

Part #	Description	Includes
RB-PFT-PEG25-10	Stackable Pegboard Pins	Pack of 10 pins and bolts
RB-PFT-PEG25-25	Stackable Pegboard Pins	Pack of 25 pins and bolts
RB-PFT-PEG25-50	Stackable Pegboard Pins	Pack of 50 pins and bolts
RB-PFT-REST-5	Pegboard Rest Pad	Pack of 5
RB-PFT-TMPHANG	Storage rack for parts feeder templates	
RB-PFT-CATCHPAN-KIT	Catch Pan Kit	Heavy-duty stainless-steel brackets, Stain-resistant plastic tray, 1 gallon capacity, Mounting hardware included

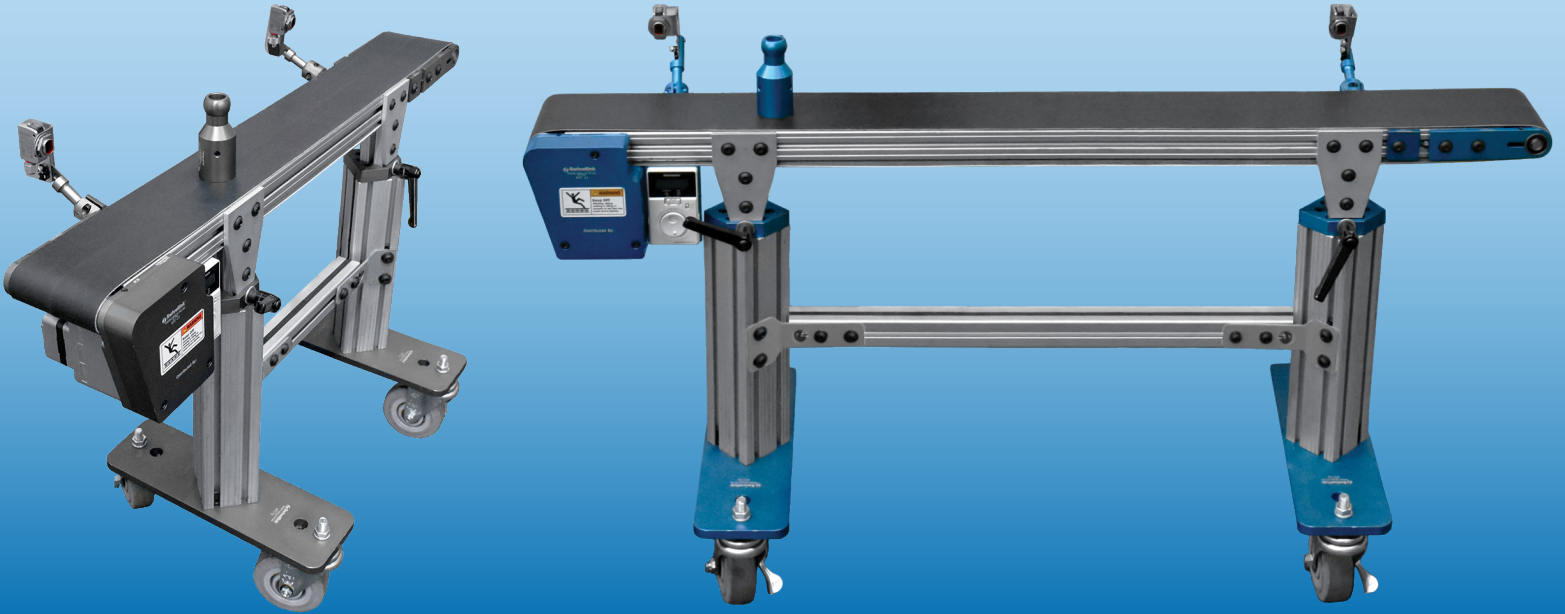


MOBILE CARTS

- Welded construction
- Comes with four caster and leveling feet
- Mounts same robots as the CB200 series pedestal
- Add wings to expand your work area
- Fits through a standard 36" door

MOBILE CARTS	
Part #	Description
RB-MTC-CB300	COBOT Mobile Cart
RB-MTC-CB300-15KIT	COBOT Mobile Cart kit Includes RB-PFT-15BASE-KIT

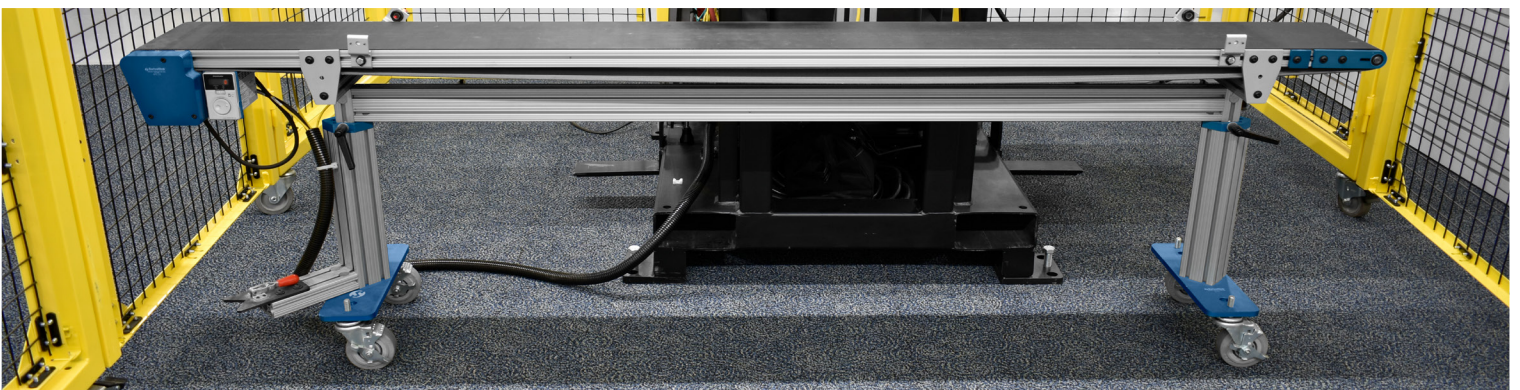
MOBILE CART ACCESSORIES	
Part #	Description
RB-MTC-LEFTWING	Fold-down wing for left side of mobile cart
RB-MTC-RIGHTWING	Fold-down wing for right side of mobile cart
RB-MTC-TOOLBOX	Toolbox for mobile cart
RB-MTC-FOOT	Leveling foot
RB-MTC-CASTER1	Caster



The perfect conveyor for light to medium duty applications. Build your own or purchase one complete, the option is yours.

- Available in a variety of lengths and widths.
- Easily adjust the height with telescoping legs.
- Belt removal and tensioning is fast and easy.
- Multiple belt and motor options.
- Available in Metric or Imperial.
- V-guided belt design provides better tracking and alignment.

Application Photos



END DRIVE CONVEYORS BEDS

w/ V-Guided 2-Ply Monofilament Black PVC Belt
(Motor and Leg Stands Sold Separately)

IMPERIAL

Part #	Size
AFC-1548-4140	1.5" x 48"
AFC-1572-4140	1.5" x 72"
AFC-1596-4140	1.5" x 96"
AFC-3048-4140	3.0" x 48"
AFC-3072-4140	3.0" x 72"
AFC-3096-4140	3.0" x 96"
AFC-4548-4140	4.5" x 48"
AFC-4572-4140	4.5" x 72"
AFC-4596-4140	4.5" x 96"
AFC-6048-4140	6.0" x 48"
AFC-6072-4140	6.0" x 72"
AFC-6096-4140	6.0" x 96"
AFC-7548-4140	7.5" x 48"
AFC-7572-4140	7.5" x 72"
AFC-7596-4140	7.5" x 96"
AFC-9048-4140	9.0" x 48"
AFC-9072-4140	9.0" x 72"
AFC-9096-4140	9.0" x 96"

METRIC

Part #	Size
SLCM-401220-4140	40mm x 1220mm
SLCM-401830-4140	40mm x 1830mm
SLCM-402440-4140	40mm x 2440mm
SLCM-801220-4140	80mm x 1220mm
SLCM-801830-4140	80mm x 1830mm
SLCM-802440-4140	80mm x 2440mm
SLCM-1201220-4140	120mm x 1220mm
SLCM-1201830-4140	120mm x 1830mm
SLCM-1202440-4140	120mm x 2440mm
SLCM-1601220-4140	160mm x 1220mm
SLCM-1601830-4140	160mm x 1830mm
SLCM-1602440-4140	160mm x 2440mm
SLCM-2001220-4140	200mm x 1220mm
SLCM-2001830-4140	200mm x 1830mm
SLCM-2002440-4140	200mm x 2440mm
SLCM-2401220-4140	240mm x 1220mm
SLCM-2401830-4140	240mm x 1830mm
SLCM-2402440-4140	240mm x 2440mm

REPLACEMENT 2-PLY MONOFILAMENT BLACK PVC BELTS

IMPERIAL

Part #	Description
AFC-1548-BELT4140	Belt for 1.5" x 48" Conveyor
AFC-1572-BELT4140	Belt for 1.5" x 72" Conveyor
AFC-1596-BELT4140	Belt for 1.5" x 96" Conveyor
AFC-3048-BELT4140	Belt for 3" x 48" Conveyor
AFC-3072-BELT4140	Belt for 3" x 72" Conveyor
AFC-3096-BELT4140	Belt for 3" x 96" Conveyor
AFC-4548-BELT4140	Belt for 4.5" x 48" Conveyor
AFC-4572-BELT4140	Belt for 4.5" x 72" Conveyor
AFC-4596-BELT4140	Belt for 4.5" x 96" Conveyor
AFC-6048-BELT4140	Belt for 6" x 48" Conveyor
AFC-6072-BELT4140	Belt for 6" x 72" Conveyor
AFC-6096-BELT4140	Belt for 6" x 96" Conveyor
AFC-7548-BELT4140	Belt for 7.5" x 48" Conveyor
AFC-7572-BELT4140	Belt for 7.5" x 72" Conveyor
AFC-7596-BELT4140	Belt for 7.5" x 96" Conveyor
AFC-9048-BELT4140	Belt for 9" x 48" Conveyor
AFC-9072-BELT4140	Belt for 9" x 72" Conveyor
AFC-9096-BELT4140	Belt for 9" x 96" Conveyor

METRIC

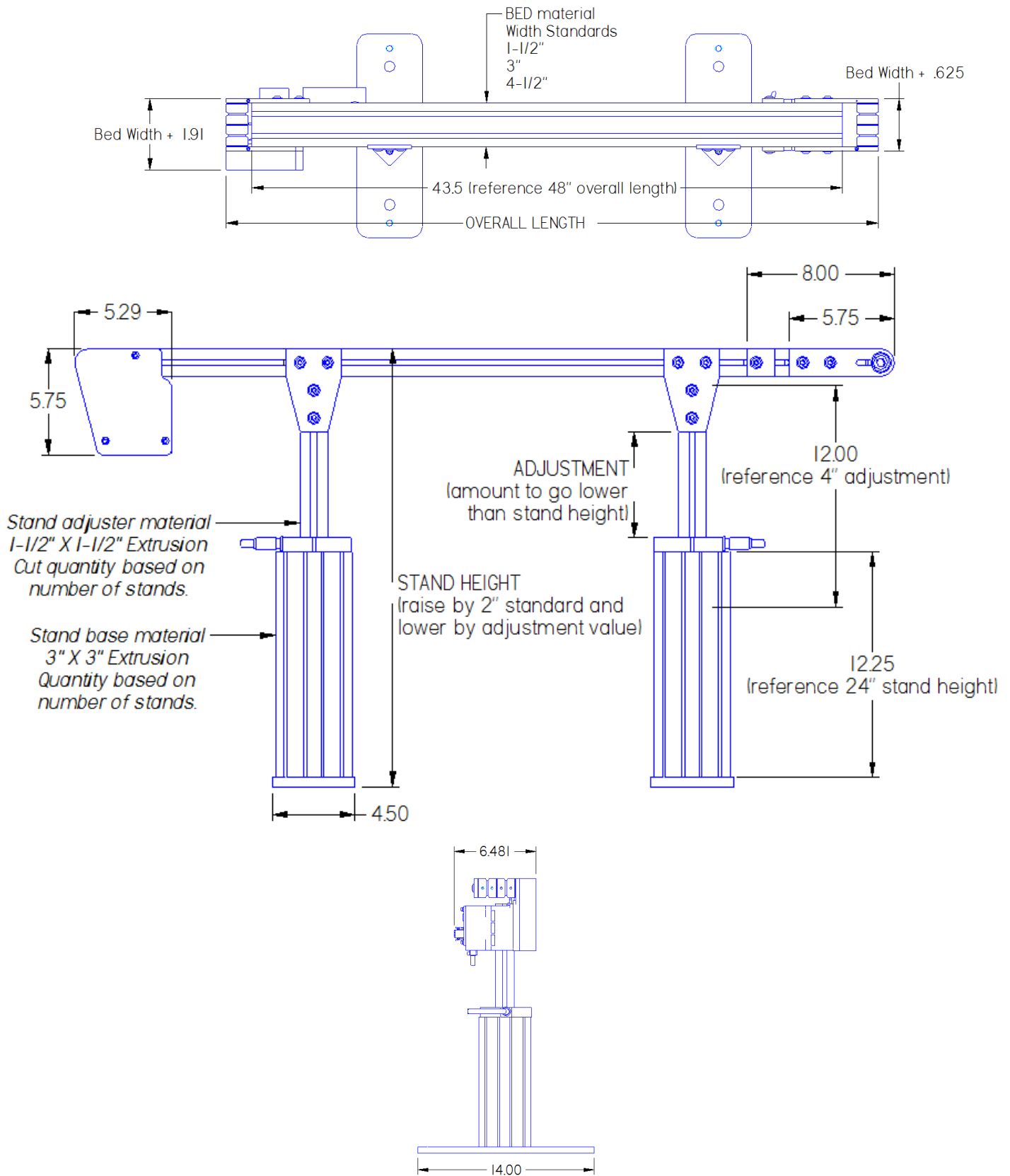
Part #	Description
SLCM-401220-BELT4140	Belt for 40mm x 1220mm Conveyor
SLCM-401830-BELT4140	Belt for 40mm x 1830mm Conveyor
SLCM-402440-BELT4140	Belt for 40mm x 2440mm Conveyor
SLCM-801220-BELT4140	Belt for 80mm x 1220mm Conveyor
SLCM-801830-BELT4140	Belt for 80mm x 1830mm Conveyor
SLCM-802440-BELT4140	Belt for 80mm x 2440mm Conveyor
SLCM-1201220-BELT4140	Belt for 120mm x 1220mm Conveyor
SLCM-1201830-BELT4140	Belt for 120mm x 1830mm Conveyor
SLCM-1202440-BELT4140	Belt for 120mm x 2440mm Conveyor
SLCM-1601220-BELT4140	Belt for 160mm x 1220mm Conveyor
SLCM-1601830-BELT4140	Belt for 160mm x 1830mm Conveyor
SLCM-1602440-BELT4140	Belt for 160mm x 2440mm Conveyor
SLCM-2001220-BELT4140	Belt for 200mm x 1220mm Conveyor
SLCM-2001830-BELT4140	Belt for 200mm x 1830mm Conveyor
SLCM-2002440-BELT4140	Belt for 200mm x 2440mm Conveyor
SLCM-2401220-BELT4140	Belt for 240mm x 1220mm Conveyor
SLCM-2401830-BELT4140	Belt for 240mm x 1830mm Conveyor
SLCM-2402440-BELT4140	Belt for 240mm x 2440mm Conveyor

OPTIONAL ACCESSORIES

Imperial Part #	Metric Part #	Description
Motors		
CONV-BLM5120HP-50AS	CONV-BLM5120HP-50AS	Brushless DC Motor/AC Input (1/6hp, 50:1 gear ratio, offers conveyor belt speed up to 38 fpm, w/ 190 lbs max push force)
CONV-BLM5120HP-20AS	CONV-BLM5120HP-20AS	Brushless DC Motor/AC Input (1/6hp, 20:1 gear ratio, offers conveyor belt speed up to 95 fpm, w/ 85 lbs max push force)
CONV-BLM-5120HP-10AS	CONV-BLM-5120HP-10AS	Brushless DC Motor/AC Input (1/6hp, 10:1 gear ratio, offers conveyor belt speed up to 191 fpm, w/ 43 lbs max push force)
Driver/Speed Controller		
CONV-BMUD120-A2	CONV-BMUD120-A2	Driver/Speed Controller (Single-Phase 100-120 Vac)
CONV-BMUD120-C2	CONV-BMUD120-C2	Driver/Speed Controller (Single-Phase, Three-Phase 200-240 VAC)
Connection Cable		
CONV-CC005HBLB	CONV-CC005HBLB	Connection Cable (.5m)
CONV-CC010HBLB	CONV-CC010HBLB	Connection Cable (1m)
Side Rail Options		
AFC-27	SLCM-27	Side Rail Bracket W/Mounting Hardware (Need 2 Per Rail)
CONV-27-RAIL	CONV-27-RAIL	Side Rail (Sold Per Inch)
CONV-27-RAILHOLDER	CONV-27-RAILHOLDER	Side Rail Holder (Takes 2 Per Rail)
AFC-BRACKET4341-HDWR	SLCM-BRACKET40-4341-HDWR	Flat Bracket w/ Hardware For Mounting: Imperial: AFC-(1824/2436/3248)-LSK-1545 Leg Stand Kit to a 1.5"/3"/4.5" Wide Conveyor Metric: SLCM-(455610/610915/8101220)-LSK-40120 Leg Stand Kit to a 40mm/80mm/120mm Wide Conveyor
Casters		
AFC-CASTER1	SLCM-CASTER1	Single Swivel Locking Caster
AFC-CASTER4	SLCM-CASTER4	Set of 4 Swivel Locking Casters

LEG STAND KITS

IMPERIAL			METRIC		
Part #	Description	Conveyor Width	Part #	Description	Conveyor Width
Leg Stands - Minimum 2 Required per Conveyor					
AFC-1824-LSK-1545	18"-24" Adjustment	1.5", 3", 4.5"	SLCM-455610-LSK-40120	455mm - 610mm Adjustment	40mm, 80mm, 120mm
AFC-2436-LSK-1545	24"-36" Adjustment	1.5", 3", 4.5"	SLCM-610915-LSK-40120	610mm - 915mm Adjustment	40mm, 80mm, 120mm
AFC-3248-LSK-1545	32"-48" Adjustment	1.5", 3", 4.5"	SLCM-8101220-LSK-40120	810mm - 1220mm Adjustment	40mm, 80mm, 120mm
AFC-1824-LSK-60	18"-24" Adjustment	6.0"	SLCM-455610-LSK-160	455mm - 610mm Adjustment	160mm
AFC-2436-LSK-60	24"-36" Adjustment	6.0"	SLCM-610915-LSK-160	610mm - 915mm Adjustment	160mm
AFC-3248-LSK-60	32"-48" Adjustment	6.0"	SLCM-8101220-LSK-160	810mm - 1220mm Adjustment	160mm
AFC-1824-LSK-75	18"-24" Adjustment	7.5"	SLCM-455610-LSK-200	455mm - 610mm Adjustment	200mm
AFC-2436-LSK-75	24"-36" Adjustment	7.5"	SLCM-610915-LSK-200	610mm - 915mm Adjustment	200mm
AFC-3248-LSK-75	32"-48" Adjustment	7.5"	SLCM-8101220-LSK-200	810mm - 1220mm Adjustment	200mm
AFC-1824-LSK-90	18"-24" Adjustment	9.0"	SLCM-455610-LSK-240	455mm - 610mm Adjustment	240mm
AFC-2436-LSK-90	24"-36" Adjustment	9.0"	SLCM-610915-LSK-240	610mm - 915mm Adjustment	240mm
AFC-3248-LSK-90	32"-48" Adjustment	9.0"	SLCM-8101220-LSK-240	810mm - 1220mm Adjustment	240mm
Leg Stand Braces					
AFC-BRACE-48KIT	Includes Extrusion & (4) AFC-26 Mounting Brackets w/Hardware	48" long	SLCM-BRACE-1220KIT	Includes Extrusion & (4) SLCM-26 Mounting Brackets w/Hardware	1220mm long
AFC-BRACE-72KIT	Includes Extrusion & (4) AFC-26 Mounting Brackets w/Hardware	72" long	SLCM-BRACE-1830KIT	Includes Extrusion & (4) SLCM-26 Mounting Brackets w/Hardware	1830mm long
AFC-BRACE-96KIT	Includes Extrusion & (4) AFC-26 Mounting Brackets w/Hardware	96" long	SLCM-BRACE-2440KIT	Includes Extrusion & (4) SLCM-26 Mounting Brackets w/Hardware	2440mm long



Oriental BMU5120A-20A

The PLx is a universal device designed to insert in series with equipment safety devices and induce faults into that safety system to validate the functionality and diagnostic coverage of the safety system.

Properly used, the PLx will validate that the proper safety design Performance Level has been achieved by: design, wiring, and programming. This type of testing is required by the ISO 13849-2 safety standard.



Faults able to be induced:

- Single Channel Break (x2 Ch A & Ch B)
- Cross Short Between Channels (x2 Short A-2-B & B-2-A)
- Short Channel to Ground (x2 A-2-GND & B-2-GND)

The PLx enables the user to induce faults into the safety system while monitoring both the built in PLx indicator status lights as well as the safety system controller for the proper result.

This is accomplished without removing single wires or inducing shorts through terminals.

PLx	
Part #	Description
PLx Base Unit	
SWL-PLX	PLx Base Unit
PLx Cables	
SWL-PLX-BAN-85	M12 8 Pin to 5 Pin Banner Cable
SWL-PLX-BAN-88	M12 8 Pin to 8 Pin Banner Cable
SWL-PLX-ROC-85	M12 8 Pin to 5 Pin Rockwell Cable
SWL-PLX-ROC-88	M12 8 Pin to 8 Pin Rockwell Cable
SWL-PLX-SCH-85	M12 8 Pin to 5 Pin Schmersal Cable
SWL-PLX-SCH-88	M12 8 Pin to 8 Pin Schmersal Cable
SWL-PLX-SIC-85	M12 8 Pin to 5 Pin Sick Cable
SWL-PLX-SIC-88	M12 8 Pin to 8 Pin Sick Cable



Guardmaster®

What is the PLx?

The PLx family of safety validation devices are compact, hand-held devices that are designed to diagnose and induce faults in machinery safety systems to validate that the appropriate safety performance level has been achieved by the hardware design, manufacture, assembly, wiring, and programming of the system.

Where is this device used?

The PLx was designed primarily for use on industrial manufacturing equipment. Testing of such systems is required by industry recognized safety standards on a regular basis.

Who is the PLx For?

The primary users of the PLx are: Environmental, Health, and Safety Professionals; Maintenance and Plant Safety Personnel; Industrial, Mechanical, Electrical, Control Engineers, and Technicians; Original equipment Manufacturers, Machinery Builders, and Systems Integrators; Equipment & Component Manufacturers and Suppliers; Educators and Students; Safety Specialists; and any person wishing to validate their machinery safety functions.

How does the PLx work?

The design of the PLx allows it to be quickly inserted into systems through its quick disconnect connector interface that will be available in multiple formats. The PLx base model uses an 8-Pin M12 quick-disconnect connector. Using extension or adapter cables as necessary, insert the PLx in series with the device to be tested. The "device" port is connected to the safety device, and the "System" Port is connected to the safety controller.

The PLx can then be used to validate the safety system. This is accomplished by intercepting and manipulating the safety device's signals and power connections. The user can induce faults into the safety system and control the safety device's functions through manipulation of an array of switches on the PLx. Status indicators of the safety device's signals and power are provided on the PLx unit for observing the status and results of the safety device while in operation and during fault induction testing.

How do I know my device is compatible for use with the PLx?

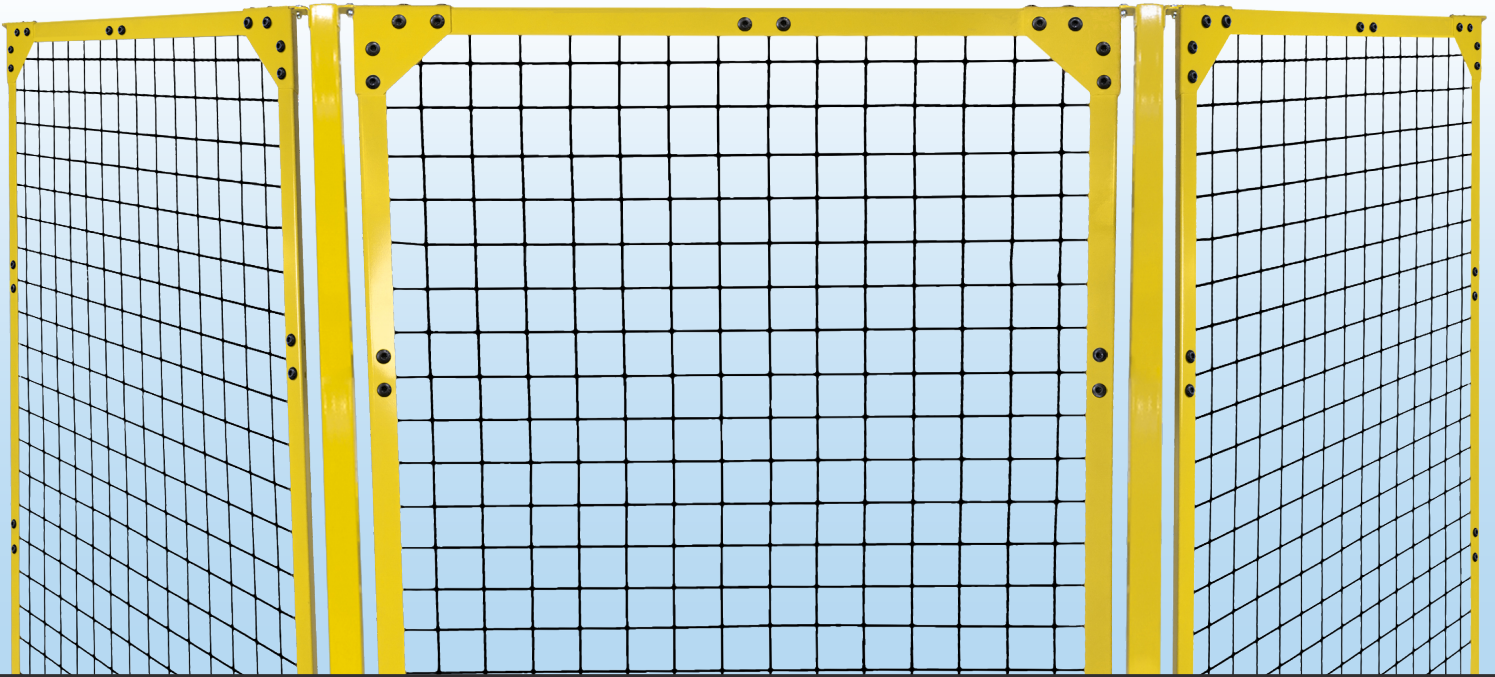
The PLx base model is designed with the following pin configuration:

Pin2	+24VDC	Pin7	0VDC
Pin5	ChA / OSSD1	Pin6	ChB / OSSD2

Device manufacture may have different pinouts. Adapter cables can be purchased or made to connect virtually any standard safety device to the PLx.

How does the PLx differ from current practices?

The PLx removes the person from interfacing with the wiring and enclosure. It can be safely introduced into the system at the device or the device connection's quick disconnect. The PLx can remain in the circuit during the entire diagnostic and fault induction testing and be removed when all testing is completed. This method improves both the safety of performing the functional testing as well as increasing the efficiency of the diagnostic and testing functions.



Stronguard is a powder coated industrial guarding line built to solve two needs in automation and manufacturing:

Modularity – The design allows product to be stocked on the shelf and assembled quickly. No more waiting for custom guarding!

Strength – Stronguard was designed and manufactured with durability, longevity, and strength in mind. No more weak guarding in your plant!

Stronguard is some of the best guarding on the market. If you're looking for strength, modularity, and easy assembly, there is nothing quite like Stronguard. This design has been used for years and we're excited to share it with you.

UNIQUE FEATURES



Bolted Corners

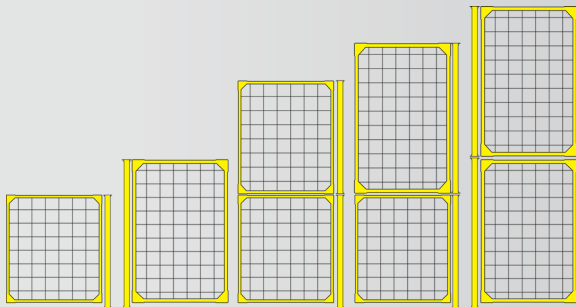
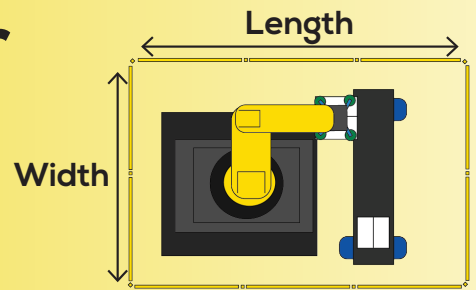


Stackable Posts

- **Leveling foot plate**
- **Easily convert panels into doors**
- **Hinged post design allows for several angles**
- **Modular design makes it easy to add on or reconfigure**
- **Mounting brackets for interlocks, light curtains and wireways**
- **Bolted corner design makes it easy to replace mesh and customize panels in-house**

Step 1. Measure Perimeter

First, figure out the total inches of guarding needed by measuring the perimeter of the area that's going to be guarded.



Step 2. Post Height

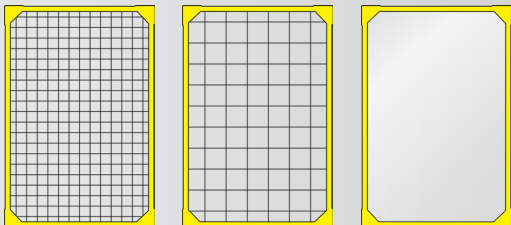
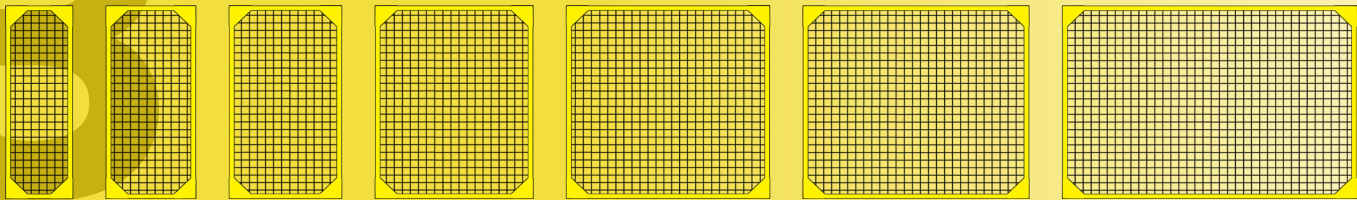
Posts come in two different heights, Short and Tall.

Our posts and panels are stackable so two or three posts can be linked together for even taller guarding. Stack them as needed to achieve the desired height.

The post foot adds a floor sweep clearance of about 4 inches for easy cleanup of the guarded area.

Step 3. Panel Width

Mix and match panels of various widths to get more exact lengths and protect your perimeter.



Step 4. Panel Type

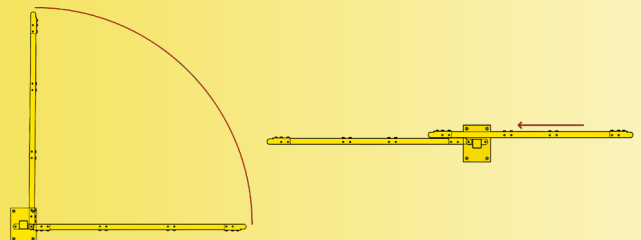
Panel Types Include:

- 1x1 Inch Mesh
- 2x2 Inch Mesh
- Polycarbonate

Step 5. Door Options

You may choose from a swinging door or a sliding door.

We also have door conversion kits available to convert an existing Stronguard panel setup into a door.



SHORT PANELS

Part #	Type	A	B	C	D	E
SG-0832P-11	1x1" Mesh	14"	11 3/4"	9 1/2"	10 1/4"	10 1/4"
SG-0832P-22	2x2" Mesh	14"	11 3/4"	9 1/2"	10 1/4"	10 1/4"
SG-0832P-P	Polycarbonate	14"	11 3/4"	9 1/2"	10 1/4"	10 1/4"
SG-1232P-11	1x1" Mesh	18"	15 3/4"	13 1/2"	14 1/4"	14 1/4"
SG-1232P-22	2x2" Mesh	18"	15 3/4"	13 1/2"	14 1/4"	14 1/4"
SG-1232P-P	Polycarbonate	18"	15 3/4"	13 1/2"	14 1/4"	14 1/4"
SG-1632P-11	1x1" Mesh	22"	19 3/4"	17 1/2"	18 1/4"	18 1/4"
SG-1632P-22	2x2" Mesh	22"	19 3/4"	17 1/2"	18 1/4"	18 1/4"
SG-1632P-P	Polycarbonate	22"	19 3/4"	17 1/2"	18 1/4"	18 1/4"
SG-2432P-11	1x1" Mesh	30"	27 3/4"	25 1/2"	26 1/4"	26 1/4"
SG-2432P-22	2x2" Mesh	30"	27 3/4"	25 1/2"	26 1/4"	26 1/4"
SG-2432P-P	Polycarbonate	30"	27 3/4"	25 1/2"	26 1/4"	26 1/4"
SG-3232P-11	1x1" Mesh	38"	35 3/4"	33 1/4"	34 1/4"	34 1/4"
SG-3232P-22	2x2" Mesh	38"	35 3/4"	33 1/4"	34 1/4"	34 1/4"
SG-3232P-P	Polycarbonate	38"	35 3/4"	33 1/4"	34 1/4"	34 1/4"
SG-3632P-11	1x1" Mesh	42"	39 3/4"	37 1/4"	38 1/4"	38 1/4"
SG-3632P-22	2x2" Mesh	42"	39 3/4"	37 1/4"	38 1/4"	38 1/4"
SG-3632P-P	Polycarbonate	42"	39 3/4"	37 1/4"	38 1/4"	38 1/4"
SG-4832P-11	1x1" Mesh	54"	51 3/4"	49 1/4"	50 1/4"	50 1/4"
SG-4832P-22	2x2" Mesh	54"	51 3/4"	49 1/4"	50 1/4"	50 1/4"
SG-4832P-P	Polycarbonate	54"	51 3/4"	49 1/4"	50 1/4"	50 1/4"
SG-6032P-11	1x1" Mesh	66"	63 3/4"	61 1/4"	62 1/4"	62 1/4"
SG-6032P-22	2x2" Mesh	66"	63 3/4"	61 1/4"	62 1/4"	62 1/4"
SG-6032P-P	Polycarbonate	66"	63 3/4"	61 1/4"	62 1/4"	62 1/4"
SG-7232P-11	1x1" Mesh	78"	75 3/4"	73 1/4"	74 1/4"	74 1/4"
SG-7232P-22	2x2" Mesh	78"	75 3/4"	73 1/4"	74 1/4"	74 1/4"
SG-7232P-P	Polycarbonate	78"	75 3/4"	73 1/4"	74 1/4"	74 1/4"
SG-8432P-11	1x1" Mesh	90"	87 3/4"	85 1/4"	86 1/4"	86 1/4"
SG-8432P-22	2x2" Mesh	90"	87 3/4"	85 1/4"	86 1/4"	86 1/4"
SG-8432P-P	Polycarbonate	90"	87 3/4"	85 1/4"	86 1/4"	86 1/4"
SG-9632P-11	1x1" Mesh	102"	99 3/4"	97 1/4"	98 1/4"	98 1/4"
SG-9632P-22	2x2" Mesh	102"	99 3/4"	97 1/4"	98 1/4"	98 1/4"
SG-9632P-P	Polycarbonate	102"	99 3/4"	97 1/4"	98 1/4"	98 1/4"

TALL PANELS

Part #	Type	A	B	C	D	E
SG-0848P-11	1x1" Mesh	14"	11 3/4"	9 1/2"	10 1/4"	10 1/4"
SG-0848P-22	2x2" Mesh	14"	11 3/4"	9 1/2"	10 1/4"	10 1/4"
SG-0848P-P	Polycarbonate	14"	11 3/4"	9 1/2"	10 1/4"	10 1/4"
SG-1248P-11	1x1" Mesh	18"	15 3/4"	13 1/2"	14 1/4"	14 1/4"
SG-1248P-22	2x2" Mesh	18"	15 3/4"	13 1/2"	14 1/4"	14 1/4"
SG-1248P-P	Polycarbonate	18"	15 3/4"	13 1/2"	14 1/4"	14 1/4"
SG-1648P-11	1x1" Mesh	22"	19 3/4"	17 1/2"	18 1/4"	18 1/4"
SG-1648P-22	2x2" Mesh	22"	19 3/4"	17 1/2"	18 1/4"	18 1/4"
SG-1648P-P	Polycarbonate	22"	19 3/4"	17 1/2"	18 1/4"	18 1/4"
SG-2448P-11	1x1" Mesh	30"	27 3/4"	25 1/2"	26 1/4"	26 1/4"
SG-2448P-22	2x2" Mesh	30"	27 3/4"	25 1/2"	26 1/4"	26 1/4"
SG-2448P-P	Polycarbonate	30"	27 3/4"	25 1/2"	26 1/4"	26 1/4"
SG-3248P-11	1x1" Mesh	38"	35 3/4"	33 1/4"	34 1/4"	34 1/4"
SG-3248P-22	2x2" Mesh	38"	35 3/4"	33 1/4"	34 1/4"	34 1/4"
SG-3248P-P	Polycarbonate	38"	35 3/4"	33 1/4"	34 1/4"	34 1/4"
SG-3648P-11	1x1" Mesh	42"	39 3/4"	37 1/4"	38 1/4"	38 1/4"
SG-3648P-22	2x2" Mesh	42"	39 3/4"	37 1/4"	38 1/4"	38 1/4"
SG-3648P-P	Polycarbonate	42"	39 3/4"	37 1/4"	38 1/4"	38 1/4"
SG-4848P-11	1x1" Mesh	54"	51 3/4"	49 1/4"	50 1/4"	50 1/4"
SG-4848P-22	2x2" Mesh	54"	51 3/4"	49 1/4"	50 1/4"	50 1/4"
SG-4848P-P	Polycarbonate	54"	51 3/4"	49 1/4"	50 1/4"	50 1/4"
SG-6048P-11	1x1" Mesh	66"	63 3/4"	61 1/4"	62 1/4"	62 1/4"
SG-6048P-22	2x2" Mesh	66"	63 3/4"	61 1/4"	62 1/4"	62 1/4"
SG-6048P-P	Polycarbonate	66"	63 3/4"	61 1/4"	62 1/4"	62 1/4"
SG-7248P-11	1x1" Mesh	78"	75 3/4"	73 1/4"	74 1/4"	74 1/4"
SG-7248P-22	2x2" Mesh	78"	75 3/4"	73 1/4"	74 1/4"	74 1/4"
SG-7248P-P	Polycarbonate	78"	75 3/4"	73 1/4"	74 1/4"	74 1/4"
SG-8448P-11	1x1" Mesh	90"	87 3/4"	85 1/4"	86 1/4"	86 1/4"
SG-8448P-22	2x2" Mesh	90"	87 3/4"	85 1/4"	86 1/4"	86 1/4"
SG-8448P-P	Polycarbonate	90"	87 3/4"	85 1/4"	86 1/4"	86 1/4"
SG-9648P-11	1x1" Mesh	102"	99 3/4"	97 1/4"	98 1/4"	98 1/4"
SG-9648P-22	2x2" Mesh	102"	99 3/4"	97 1/4"	98 1/4"	98 1/4"
SG-9648P-P	Polycarbonate	102"	99 3/4"	97 1/4"	98 1/4"	98 1/4"

POSTS & FEET

Part #	Description
SG-32POST	Modular Short Post Section
SG-48POST	Modular Tall Post Section
SG-FOOT	Modular Post Foot Pad

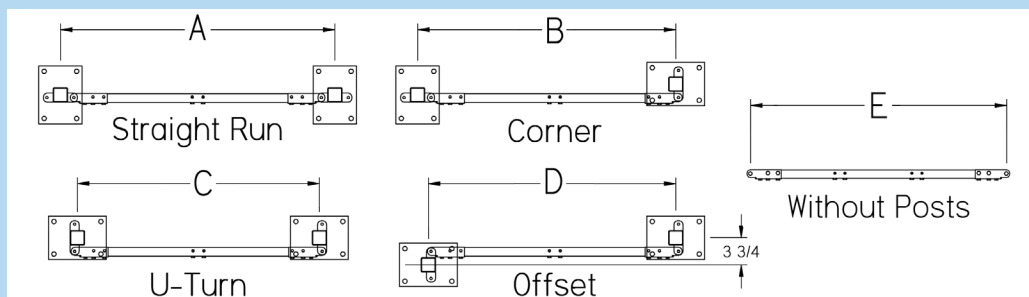
ACCESSORIES

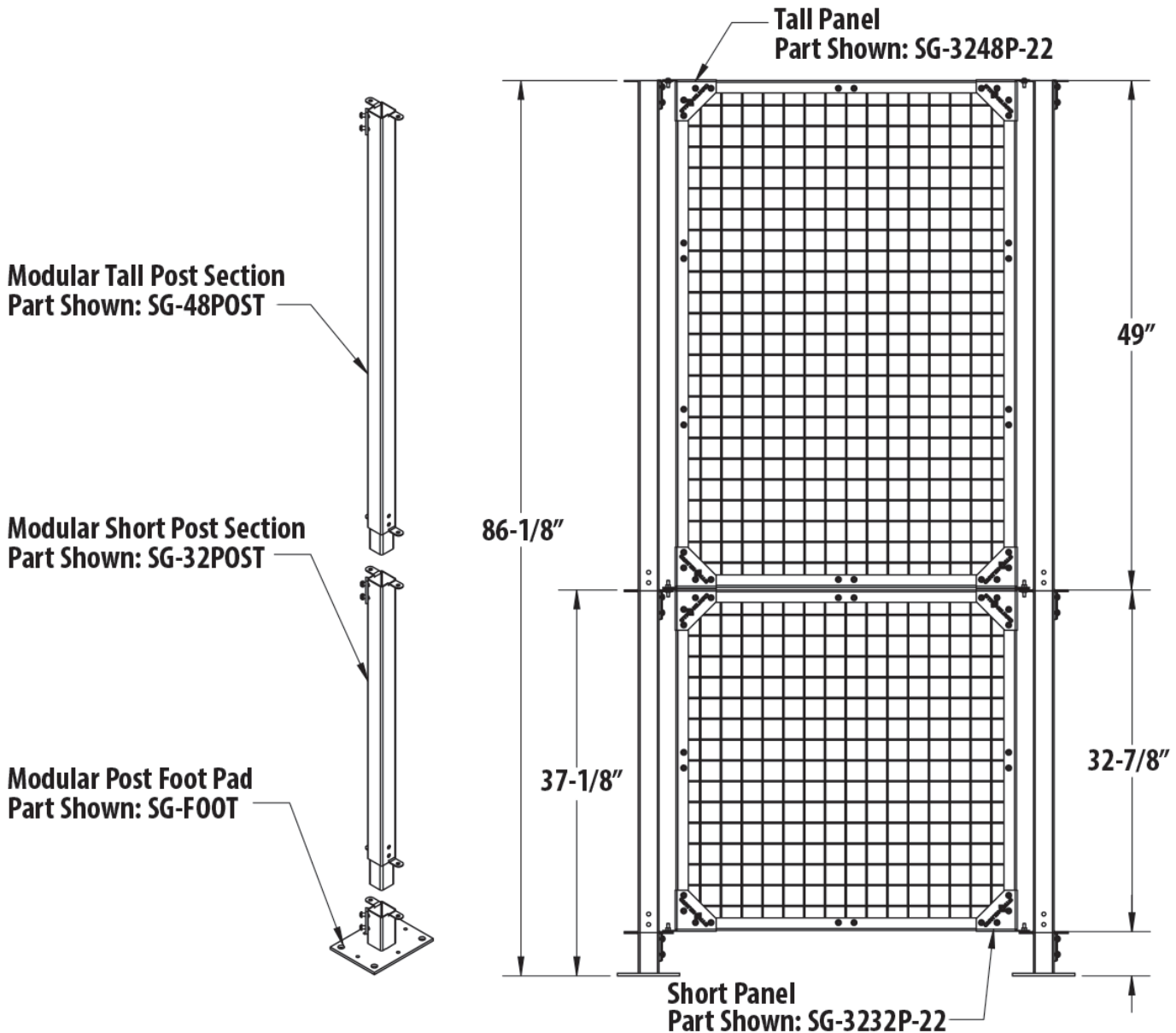
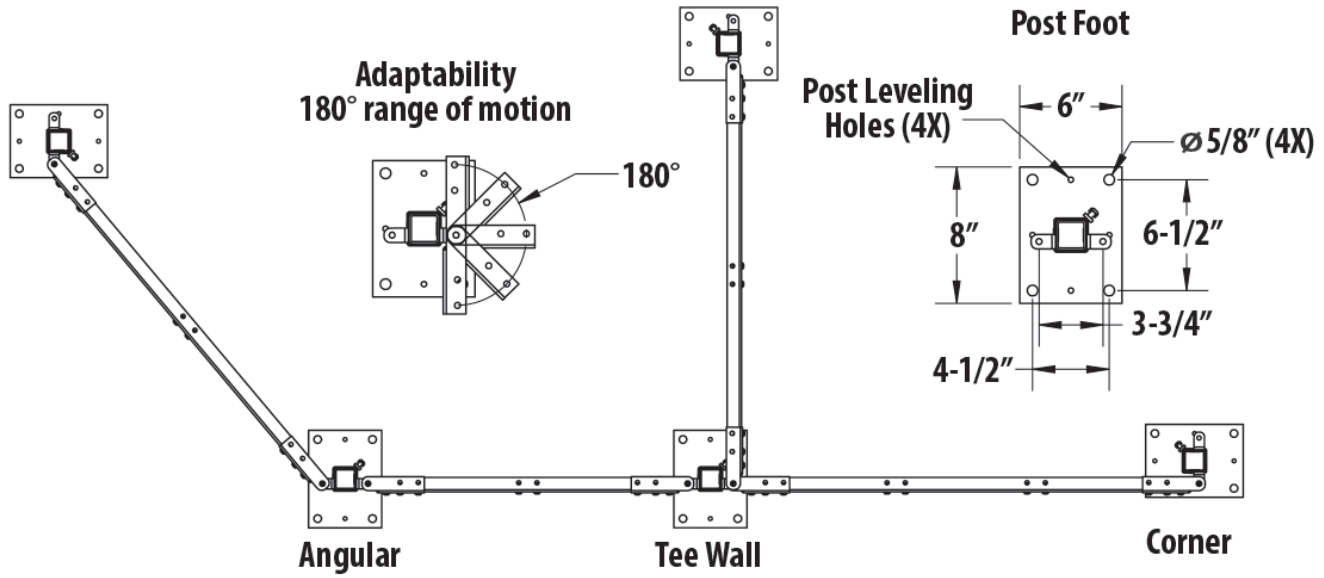
Part #	Description
SG-ANCHOR BOLT	Anchor Bolt
SG-LEVELING BOLT	Leveling Bolt 1" Long
SG-POST PLUG	Post Plug

LIGHT CURTAIN MOUNTS

Part #	Description
SG-LCM-32	Short Light Curtain
SG-LCM-48	Tall Light Curtain

Stronguard's design also makes it easy to add your own wireway, piping, or other accessories to the top of the posts.





SWINGING DOOR KITS

Part #	Size	Type	A
SG-3232SW-32DK22	Dual short	2x2" Mesh	38"
SG-3232SW-32DK11	Dual short	1x1" Mesh	38"
SG-3232SW-32DKP	Dual short	Polycarbonate	38"
SG-4832SW-32DK22	Tall/short	2x2" Mesh	38"
SG-4832SW-32DK11	Tall/short	1x1" Mesh	38"
SG-4832SW-32DKP	Tall/short	Polycarbonate	38"
SG-4848SW-32DK22	Dual tall	2x2" Mesh	38"
SG-4848SW-32DK11	Dual tall	1x1" Mesh	38"
SG-4848SW-32DKP	Dual tall	Polycarbonate	38"
SG-3232SW-48DK22	Dual short	2x2" Mesh	54"
SG-3232SW-48DK11	Dual short	1x1" Mesh	54"
SG-3232SW-48DKP	Dual short	Polycarbonate	54"
SG-4832SW-48DK22	Tall/short	2x2" Mesh	54"
SG-4832SW-48DK11	Tall/short	1x1" Mesh	54"
SG-4832SW-48DKP	Tall/short	Polycarbonate	54"
SG-4848SW-48DK22	Dual tall	2x2" Mesh	54"
SG-4848SW-48DK11	Dual tall	1x1" Mesh	54"
SG-4848SW-48DKP	Dual tall	Polycarbonate	54"

SWINGING DOOR CONVERSION KITS

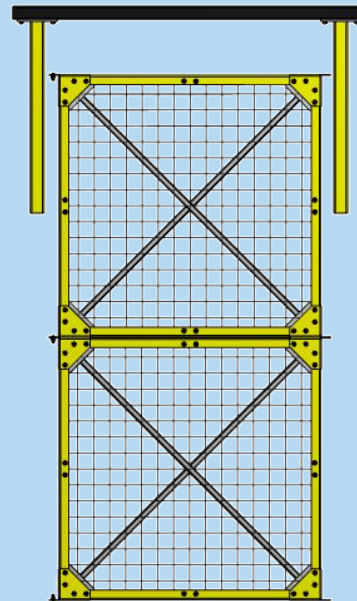
Part #	Size	A
SG-3232SW-32CK	Dual short	38"
SG-4832SW-32CK	Tall/short	38"
SG-4848SW-32CK	Dual tall	38"
SG-3232SW-48CK	Dual short	54"
SG-4832SW-48CK	Tall/short	54"
SG-4848SW-48CK	Dual tall	54"

OTHER DOOR KITS

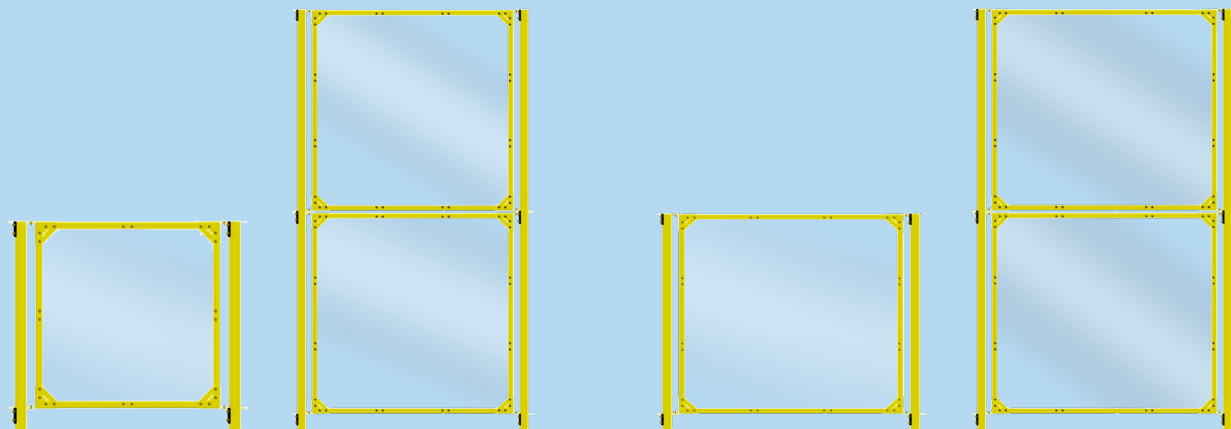
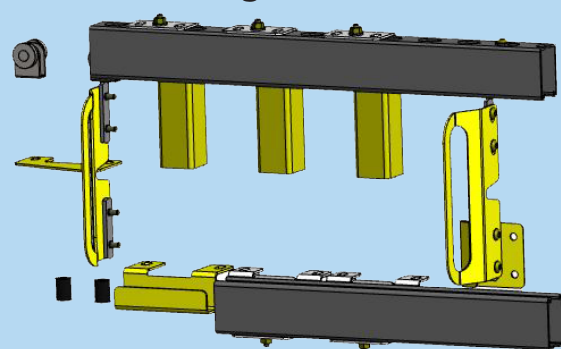
SG-DL-XXXX	Door Interlock - See website
SG-SLIDING-DK	Kit to convert any panel section into a sliding door.

Final measurements for all swinging door kits are the same as the panel they replace.

Swing Door Kit



Sliding Door Kit



SNEEZE GUARDS

Part #	Description	Includes
SG-3232GUARD-KIT	Countertop Sneeze Guard Kit	(1) SG-3232P-P, (2) SG-32POST, (2) SG-FOOT
SG-3286GUARD-KIT	Floor Sneeze Guard Kit	(1) SG-3232P-P, (1) SG-3248P-P, (2) SG-32POST, (2) SG-48POST, (2) SG-FOOT, (4) SG-ANCHOR BOLT
SG-4848GUARD-KIT	Countertop Sneeze Guard Kit	(1) SG-4848P-P, (2) SG-48POST, (2) SG-FOOT
SG-4886GUARD-KIT	Floor Sneeze Guard Kit	(1) SG-4832P-P, (1) SG-4848P-P, (2) SG-32POST, (2) SG-48POST, (2) SG-FOOT, (4) SG-ANCHOR BOLT



KITS WITH 48" SWING DOOR

Part Number	Dimensions
SG-101070-48SW22	10'x10', 70" tall
SG-101086-48SW22	10'x10', 86" tall
SG-1010102-48SW22	10'x10', 102" tall
SG-101570-48SW22	10'x15', 70" tall
SG-101586-48SW22	10'x15', 86" tall
SG-1015102-48SW22	10'x15', 102" tall
SG-102070-48SW22	10'x20', 70" tall
SG-102086-48SW22	10'x20', 86" tall
SG-1020102-48SW22	10'x20', 102" tall
SG-121270-48SW22	12'x12', 70" tall
SG-121286-48SW22	12'x12', 86" tall
SG-1212102-48SW22	12'x12', 102" tall
SG-122070-48SW22	12'x20', 70" tall
SG-122086-48SW22	12'x20', 86" tall
SG-1220102-48SW22	12'x20', 102" tall
SG-151570-48SW22	15'x15', 70" tall
SG-151586-48SW22	15'x15', 86" tall
SG-1515102-48SW22	15'x15', 102" tall
SG-202070-48SW22	20'x20', 70" tall
SG-202086-48SW22	20'x20', 86" tall
SG-2020102-48SW22	20'x20', 102" tall

Ever wish you could purchase a single kit for your machine guarding needs and be done? Most times you have a rough idea of the size you need, but then you need to figure out all the components to order. Scrap that way!

STRONGGUARD® now has the answer:

Save time and take advantage of our quick kit options. It makes purchasing fast and easy for your guarding needs!

***All kits come with posts, foot plates, two anchor bolts per foot, hardware kit, swing door, and assembled panels with 2"x2" mesh.**

****Overall sizes may vary plus or minus 4 inches****

KITS WITH 32" SWING DOOR

Part Number	Dimensions
SG-101070-32SW22	10'x10', 70" tall
SG-101086-32SW22	10'x10', 86" tall
SG-1010102-32SW22	10'x10', 102" tall
SG-101570-32SW22	10'x15', 70" tall
SG-101586-32SW22	10'x15', 86" tall
SG-1015102-32SW22	10'x15', 102" tall
SG-102070-32SW22	10'x20', 70" tall
SG-102086-32SW22	10'x20', 86" tall
SG-1020102-32SW22	10'x20', 102" tall
SG-121270-32SW22	12'x12', 70" tall
SG-121286-32SW22	12'x12', 86" tall
SG-1212102-32SW22	12'x12', 102" tall
SG-122070-32SW22	12'x20', 70" tall
SG-122086-32SW22	12'x20', 86" tall
SG-1220102-32SW22	12'x20', 102" tall
SG-151570-32SW22	15'x15', 70" tall
SG-151586-32SW22	15'x15', 86" tall
SG-1515102-32SW22	15'x15', 102" tall
SG-202070-32SW22	20'x20', 70" tall
SG-202086-32SW22	20'x20', 86" tall
SG-2020102-32SW22	20'x20', 102" tall

IMPERIAL		METRIC		Fits
Part #	Mounts to	Part #	Mounts to	
Advanced Illumination				
AFSB-660-AI	AFSB-1, AFSB-1XS	SLM-660-AI	SLM-1, SLM-1XS	AL116, AL126, AL143, AL150, AL179, AL295, AL4424, AL4554, AL46120, DL085, DL110, DL37100, DL38144, LL174, LL5806, LL6324
AFSB-661-AI-RL	AFSB-1, AFSB-1XS	SLM-661-AI-RL	SLM-1, SLM-1XS	RL113, RL127, RL169, RL1424, RL1660, RL2316, RL3536, RL3940, RL5064, RL36120
AFSB-662-AI-FX	AFSB-1, AFSB-1XS	SLM-662-AI-FX	SLM-1, SLM-1XS	FX0808
AFSB-663XS-AI	AFSB-1XS	SLM-663XS-AI	SLM-1XS	AL116, AL126, AL143, AL295, DL072, DL104, DL2449, DL3316
AFSB-9	AFSB-1, AFSB-1XS	SLM-9	SLM-1, SLM-1XS	DF198-115 w/o Camera Plate, SL-S100150
Allen Bradley				
AFSB-621-L300	AFSB-1, AFSB-1XS	SLM-621-L300	SLM-1, SLM-1XS	440L bar lights
AFSB-630XS-30	AFSB-1XS	SLM-630XS-30	SLM-1XS	30mm Sensor Mount
AFSB-7	AFSB-2, AFSB-290, AFSB-2-2XS	SLM-7	SLM-2, SLM-290, SLM-2-2XS	30mm Barrel Type Sensor
AFSB-7XS	AFSB-2XS, AFSB-2-2XS, AFSB-2XS90	SLM-7XS	SLM-2XS, SLM-2-2XS, SLM-2XS90	12mm Barrel Type Sensor
AFSB-8	AFSB-2, AFSB-290, AFSB-2-2XS	SLM-8	SLM-2, SLM-290, SLM-2-2XS	18mm Barrel Type Sensor
AFSB-8XS	AFSB-2XS, AFSB-2-2XS, AFSB-2XS90	SLM-8XS	SLM-2XS, SLM-2-2XS, SLM-2XS90	8mm Barrel Type Sensor
AFSB-SB-8	AFSB-SBH, AFSB-SBH-XS	SLM-SB-8	SLM-SBH, SLM-SBH-XS	8mm Sensor Mount
AFSB-SB-12	AFSB-SBH, AFSB-SBH-XS	SLM-SB-12	SLM-SBH, SLM-SBH-XS	12mm Sensor Mount
AFSB-SB-18	AFSB-SBH, AFSB-SBH-XS	SLM-SB-18	SLM-SBH, SLM-SBH-XS	18mm Sensor Mount
AFSB-SB-30	AFSB-SBH, AFSB-SBH-XS	SLM-SB-30	SLM-SBH, SLM-SBH-XS	30mm Sensor Mount
Allied Vision				
AFSB-500XS-D-GB	AFSB-1XS	SLM-500XS-D-GB	SLM-1XS	Manta G-125, Manta G-201, Manta G-507, Prosilica GC2450, Prosilica GE1650, Prosilica GT4907
AFSB-521-C-DI	AFSB-1, AFSB-1XS	SLM-521-C-DI	SLM-1, SLM-1XS	Mako U and Mako G
AFSB-535XS-B-ACA2500	AFSB-1XS	SLM-535XS-B-ACA2500	SLM-1XS	Mako U and Mako G
AFSB-550-K-CVIV	AFSB-1, AFSB-1XS	SLM-550-K-CVIV	SLM-1, SLM-1XS	Prosilica GE1650
AFSB-560-D-AMT	AFSB-1, AFSB-1XS	SLM-560-D-AMT	SLM-1, SLM-1XS	Manta G-507, Prosilica GC2450, Prosilica GE1650, Prosilica GT4907
AFSB-575XS-IDS-CP	AFSB-1XS	SLM-575XS-IDS-CP	SLM-1XS	Prosilica GE1650
Avalon				
AFSB-521-C-DI	AFSB-1, AFSB-1XS	SLM-521-C-DI	SLM-1, SLM-1XS	90743
AFSB-535XS-B-ACA2500	AFSB-1XS	SLM-535XS-B-ACA2500	SLM-1XS	90743
AFSB-560-D-AMT	AFSB-1, AFSB-1XS	SLM-560-D-AMT	SLM-1, SLM-1XS	90743
Balluff				
AFSB-585-BVS-E	AFSB-1, AFSB-1XS	SLM-585-BVS-E	SLM-1, SLM-1XS	BVS-E Sensor
AFSB-630XS-30	AFSB-1XS	SLM-630XS-30	SLM-1XS	30mm Sensor Mount
AFSB-7	AFSB-2, AFSB-290, AFSB-2-2XS	SLM-7	SLM-2, SLM-290, SLM-2-2XS	30mm Barrel Type Sensor
AFSB-7XS	AFSB-2XS, AFSB-2-2XS, AFSB-2XS90	SLM-7XS	SLM-2XS, SLM-2-2XS, SLM-2XS90	12mm Barrel Type Sensor
AFSB-8	AFSB-2, AFSB-290, AFSB-2-2XS	SLM-8	SLM-2, SLM-290, SLM-2-2XS	18mm Barrel Type Sensor
AFSB-8XS	AFSB-2XS, AFSB-2-2XS, AFSB-2XS90	SLM-8XS	SLM-2XS, SLM-2-2XS, SLM-2XS90	8mm Barrel Type Sensor
AFSB-SB-8	AFSB-SBH, AFSB-SBH-XS	SLM-SB-8	SLM-SBH, SLM-SBH-XS	8mm Sensor Mount
AFSB-SB-12	AFSB-SBH, AFSB-SBH-XS	SLM-SB-12	SLM-SBH, SLM-SBH-XS	12mm Sensor Mount
AFSB-SB-18	AFSB-SBH, AFSB-SBH-XS	SLM-SB-18	SLM-SBH, SLM-SBH-XS	18mm Sensor Mount
AFSB-SB-30	AFSB-SBH, AFSB-SBH-XS	SLM-SB-30	SLM-SBH, SLM-SBH-XS	30mm Sensor Mount

IMPERIAL		METRIC		Fits
Part #	Mounts to	Part #	Mounts to	
Banner				
AFSB-4	AFSB-2, AFSB-290	SLM-4	SLM-2, SLM-290	Button Base with threaded M30 x 1.5, OTBVP6 Optical Touch Button
AFSB-5	AFSB-1, AFSB-1XS	SLM-5	SLM-1, SLM-1XS	70mm area light, LE-5501Q, Q5XKLAF5000-Q8
AFSB-500XS-D-GB	AFSB-1XS	SLM-500XS-D-GB	SLM-1XS	Q5XKLAF5000-Q8
AFSB-517-S-LECTOR64X65X	AFSB-1, AFSB-1XS	SLM-517-S-LECTOR64X65X	SLM-1, SLM-1XS	Ledrla290
AFSB-521-C-DI	AFSB-1, AFSB-1XS	SLM-521-C-DI	SLM-1, SLM-1XS	Luminescence Q26PLUMQ5
AFSB-530-B-P4	AFSB-1, AFSB-1XS	SLM-530-B-P4	SLM-1, SLM-1XS	P4 Vision Sensors, Ledrs50L5XQ, Presence+, P4ORS-P-BCOC, P4ORS-G-BCBD, VE series
AFSB-531XS-B-PP	AFSB-1XS	SLM-531XS-B-PP	SLM-1XS	PP CAM
AFSB-532-B-IVU	AFSB-1, AFSB-1XS	SLM-532-B-IVU	SLM-1, SLM-1XS	iVu Series
AFSB-535XS-B-ACA2500	AFSB-1XS	SLM-535XS-B-ACA2500	SLM-1XS	Luminescence Q26PLUMQ5
AFSB-540-IFM	AFSB-1, AFSB-1XS	SLM-540-IFM	SLM-1, SLM-1XS	Q5XKLAF5000-Q8
AFSB-550-K-CVIV	AFSB-1, AFSB-1XS	SLM-550-K-CVIV	SLM-1, SLM-1XS	QX4 Series, SMBVERA Bracket
AFSB-560-D-AMT	AFSB-1, AFSB-1XS	SLM-560-D-AMT	SLM-1, SLM-1XS	Luminescence Q26PLUMQ5, LEDRLA145XD6-XQ, LEDWA70XD5-PQ
AFSB-561-D-MATRIX	AFSB-1, AFSB-1XS	SLM-561-D-MATRIX	SLM-1, SLM-1XS	LEDRLA290, SMBVERA
AFSB-571-G-2320	AFSB-1, AFSB-1XS	SLM-571-G-2320	SLM-1, SLM-1XS	LEDBLA145AXD6-XQ
AFSB-572-G-2340	AFSB-1, AFSB-1XS	SLM-572-G-2340	SLM-1, SLM-1XS	LEDLLA290XD6-XQ, LEDWLA290XD6-PHQ, LEDWLA290XP6-XQ
AFSB-621-L300	AFSB-1, AFSB-1XS	SLM-621-L300	SLM-1, SLM-1XS	LEDLLA290XD6-XQ
AFSB-630XS-30	AFSB-1XS	SLM-630XS-30	SLM-1XS	70 mm Area Light, LedIS50L5-QX, 30MM Sensor Mount
AFSB-631-LEDRA70	AFSB-1, AFSB-1XS	SLM-631-LEDRA70	SLM-1, SLM-1XS	LEDRA70 series, LEDRA70XD5, WLC90
AFSB-632-WLS28-285X	AFSB-1, AFSB-1XS	SLM-632-WLS28-285X	SLM-1, SLM-1XS	WLS28 strip light non-switch 145mm long, non-switch 285mm long, and with ON/OFF switch 145mm long
AFSB-7	AFSB-2, AFSB-290, AFSB-2-2XS	SLM-7	SLM-2, SLM-290, SLM-2-2XS	30mm Barrel Type Sensor , Tower (Stack) Lights TL50GYRQ
AFSB-7XS	AFSB-2XS, AFSB-2-2XS, AFSB-2XS90	SLM-7XS	SLM-2XS, SLM-2-2XS, SLM-2XS90	12mm Barrel Type Sensor
AFSB-8	AFSB-2, AFSB-290, AFSB-2-2XS	SLM-8	SLM-2, SLM-290, SLM-2-2XS	18mm Barrel Type Sensor
AFSB-8XS	AFSB-2XS, AFSB-2-2XS, AFSB-2XS90	SLM-8XS	SLM-2XS, SLM-2-2XS, SLM-2XS90	8mm Barrel Type Sensor
AFSB-9	AFSB-2XS, AFSB-2-2XS, AFSB-2XS90	SLM-9	SLM-2XS, SLM-2-2XS, SLM-2XS90	LH150
AFSB-SB-8	AFSB-SBH, AFSB-SBH-XS	SLM-SB-8	SLM-SBH, SLM-SBH-XS	8mm Sensor Mount
AFSB-SB-12	AFSB-SBH, AFSB-SBH-XS	SLM-SB-12	SLM-SBH, SLM-SBH-XS	12mm Sensor Mount
AFSB-SB-18	AFSB-SBH, AFSB-SBH-XS	SLM-SB-18	SLM-SBH, SLM-SBH-XS	18mm Sensor Mount
AFSB-SB-30	AFSB-SBH, AFSB-SBH-XS	SLM-SB-30	SLM-SBH, SLM-SBH-XS	LedIS50L5-QX Mount 30MM, 70 mm Area Light Mount 30MM, 30mm Sensor Mount, Tower (Stack) Lights TL50GYRQ
Basler				
AFSB-510XS-S-XC56	AFSB-2XS, AFSB-2-2XS, AFSB-2XS90	SLM-510XS-S-XC56	SLM-2XS, SLM-2-2XS, SLM-2XS90	ACA640-90GM, ACA1300-30GM, ACA1300-60GM, ACA1300-75GM, ACA1600-20GM, ACA2500-14GM, ACA4024-8GC, ACA2040-25GC, ACA2440-20GC, ACA3088-57UC, ACA3088-57UM, ACA-3800-10GM
AFSB-535XS-B-ACA2500	AFSB-1XS	SLM-535XS-B-ACA2500	SLM-1XS	2CL, 2CL C, 2CL CS, GIGE C, GIGE CS, USB3 C, USB3 CS, ACA1920-48GM, ACA2040-25GC, ACA2500-14GM, ACA2440-20GC, ACA3088-57UC, ACA3088-57UM, ACA-3800-10GM
AFSB-560-D-AMT	AFSB-1, AFSB-1XS	SLM-560-D-AMT	SLM-1, SLM-1XS	ACA2040-25GC, ACA2440-20GC, ACA3088-57UC, ACA3088-57UM, ACA-3800-10GM

IMPERIAL		METRIC		Fits
Part #	Mounts to	Part #	Mounts to	
Baumer				
AFSB-500XS-D-GB	AFSB-1XS	SLM-500XS-D-GB	SLM-1XS	VCXG
AFSB-532-B-IVU	AFSB-1, AFSB-1XS	SLM-532-B-IVU	SLM-1, SLM-1XS	OHDK 14N5101
AFSB-560-D-AMT	AFSB-1, AFSB-1XS	SLM-560-D-AMT	SLM-1, SLM-1XS	TXG50M3, VCXG
AFSB-580-B-VS	AFSB-1, AFSB-1XS	SLM-580-B-VS	SLM-1, SLM-1XS	CS100, ID100, ID110, XC100, XC200, XF100, XF200, VCXG-32M
AFSB-630XS-30	AFSB-1XS	SLM-630XS-30	SLM-1XS	30mm Sensor Mount
AFSB-660-AI	AFSB-1, AFSB-1XS	SLM-660-AI	SLM-1, SLM-1XS	Poscon OXE7.E25T
AFSB-7	AFSB-2, AFSB-290, AFSB-2-2XS	SLM-7	SLM-2, SLM-290, SLM-2-2XS	30mm Barrel Type Sensor
AFSB-7XS	AFSB-2XS, AFSB-2-2XS, AFSB-2XS90	SLM-7XS	SLM-2XS, SLM-2-2XS, SLM-2XS90	12mm Barrel Type Sensor
AFSB-8	AFSB-2, AFSB-290, AFSB-2-2XS	SLM-8	SLM-2, SLM-290, SLM-2-2XS	18mm Barrel Type Sensor
AFSB-8XS	AFSB-2XS, AFSB-2-2XS, AFSB-2XS90	SLM-8XS	SLM-2XS, SLM-2-2XS, SLM-2XS90	8mm Barrel Type Sensor
AFSB-SB-8	AFSB-SBH, AFSB-SBH-XS	SLM-SB-8	SLM-SBH, SLM-SBH-XS	8mm Sensor Mount
AFSB-SB-12	AFSB-SBH, AFSB-SBH-XS	SLM-SB-12	SLM-SBH, SLM-SBH-XS	12mm Sensor Mount
AFSB-SB-18	AFSB-SBH, AFSB-SBH-XS	SLM-SB-18	SLM-SBH, SLM-SBH-XS	18mm Sensor Mount
AFSB-SB-30	AFSB-SBH, AFSB-SBH-XS	SLM-SB-30	SLM-SBH, SLM-SBH-XS	30mm Sensor Mount
Carlo Gavazzi				
AFSB-630XS-30	AFSB-1XS	SLM-630XS-30	SLM-1XS	30mm Sensor Mount
AFSB-7	AFSB-2, AFSB-290, AFSB-2-2XS	SLM-7	SLM-2, SLM-290, SLM-2-2XS	30mm Barrel Type Sensor
AFSB-7XS	AFSB-2XS, AFSB-2-2XS, AFSB-2XS90	SLM-7XS	SLM-2XS, SLM-2-2XS, SLM-2XS90	12mm Barrel Type Sensor
AFSB-8	AFSB-2, AFSB-290, AFSB-2-2XS	SLM-8	SLM-2, SLM-290, SLM-2-2XS	18mm Barrel Type Sensor
AFSB-SB-12	AFSB-SBH, AFSB-SBH-XS	SLM-SB-12	SLM-SBH, SLM-SBH-XS	12mm Sensor Mount
AFSB-SB-18	AFSB-SBH, AFSB-SBH-XS	SLM-SB-18	SLM-SBH, SLM-SBH-XS	18mm Sensor Mount
AFSB-SB-30	AFSB-SBH, AFSB-SBH-XS	SLM-SB-30	SLM-SBH, SLM-SBH-XS	30mm Sensor Mount
CCS America				
AFSB-1-CCS-EL-HDWR	AFSB-2, AFSB-290, AFSB-2-2XS	SLM-1-CCS-EL-HDWR	SLM-2, SLM-290, SLM-2-2XS	ELB300, ELFB300, ELF200X200
AFSB-1-15-CCS-EL-HDWR	AFSB-2, AFSB-290, AFSB-2-2XS	SLM-1-15-CCS-EL-HDWR	SLM-2, SLM-290, SLM-2-2XS	ELB300, ELFB300, ELF200X200
AFSB-5	AFSB-1, AFSB-1XS	SLM-5	SLM-1, SLM-1XS	LFV3-70RD
AFSB-500XS-D-GB	AFSB-1XS	SLM-500XS-D-GB	SLM-1XS	IQRL-109028, QBR-109028-47, QBR-109028-52, QBR-109028-66, QBR-109028-IR95, QBR-109028-SW
AFSB-501-M-GTR	AFSB-1, AFSB-1XS	SLM-501-M-GTR	SLM-1, SLM-1XS	LFV3-70RD
AFSB-517-S-LECTOR64X65X	AFSB-1, AFSB-1XS	SLM-517-S-LECTOR64X65X	SLM-1, SLM-1XS	ELSB-105
AFSB-520XS-C-DMIC	AFSB-1XS	SLM-520XS-C-DMIC	SLM-1XS	QLA-074050-47, QLA-074050-52, QLA-074050-66, QLA-074050-SW
AFSB-521-C-DI	AFSB-1, AFSB-1XS	SLM-521-C-DI	SLM-1, SLM-1XS	LDL2-80X16RD, LDL2-50X30SW2
AFSB-560-D-AMT	AFSB-1, AFSB-1XS	SLM-560-D-AMT	SLM-1, SLM-1XS	TH2-51X51BL-PM
AFSB-561-D-MATRIX	AFSB-1, AFSB-1XS	SLM-561-D-MATRIX	SLM-1, SLM-1XS	LFV3-70RD
AFSB-571-G-2320	AFSB-1, AFSB-1XS	SLM-571-G-2320	SLM-1, SLM-1XS	HLDL2-150x45SW-DF-N, HLDL2-150x45SW-DF-W
AFSB-580-B-VS	AFSB-1, AFSB-1XS	SLM-580-B-VS	SLM-1, SLM-1XS	LN-60SW-HK-STK
AFSB-592-M-QX-830-870	AFSB-1, AFSB-1XS	SLM-592-M-QX-830-870	SLM-1, SLM-1XS	ELSB-55
AFSB-650-HPD100-150	AFSB-1, AFSB-1XS	SLM-650-HPD100-150	SLM-1, SLM-1XS	HPD-100, HPD-150, HPR-100, HPR-150, HPR-200, HPR2-150RD, HPR2-100RD
AFSB-652-C	AFSB-1, AFSB-1XS	SLM-652-C	SLM-1, SLM-1XS	ELR-100
AFSB-653-C	AFSB-1, AFSB-1XS	SLM-653-C	SLM-1, SLM-1XS	ELL-PV-30
AFSB-654-C	AFSB-1, AFSB-1XS	SLM-654-C	SLM-1, SLM-1XS	ELSB-285
AFSB-655-HPD2	AFSB-1, AFSB-1XS	SLM-655-HPD2	SLM-1, SLM-1XS	HPD2-75, HPR2-75
AFSB-9	AFSB-1	SLM-9	SLM-1	LFV3-130RD

IMPERIAL		METRIC		Fits
Part #	Mounts to	Part #	Mounts to	
Cognex				
AFSB-5	AFSB-1, AFSB-1XS	SLM-5	SLM-1, SLM-1XS	Checker 100, DM Wall Mount, Dataman (70/100/200), Insight (5000/5100/5100C/5400/5400C/5401/5403/5604/5605/5705/9902L/9912/IP67), DVT Legend 500
AFSB-501-M-GTR	AFSB-1, AFSB-1XS	SLM-501-M-GTR	SLM-1, SLM-1XS	Insight (9902L/9912)
AFSB-520XS-C-DMIC	AFSB-1XS	SLM-520XS-C-DMIC	SLM-1XS	Dataman (70/100/150/200/260/262/360/500), Insight Micro, Insight 1100, 4G, 4GX, and Checker 200.
AFSB-521-C-DI	AFSB-1, AFSB-1XS	SLM-521-C-DI	SLM-1, SLM-1XS	CAM-CIC-5000, CAM-CIC-5MR-14-GC, DS1000 w/ Precision Adapter, DS1101, Dataman (70/300/302L/360/370/470/474), Insight (7000/7500/7600/7800/7905)
AFSB-522XS-C-DM5060	AFSB-2XS, AFSB-2-2XS, AFSB-2XS90	SLM-522XS-C-DM5060	SLM-2XS, SLM-2XS90, SLM-2-2XS	Dataman (50DM/60DM)
AFSB-523-C-I2000	AFSB-1, AFSB-1XS	SLM-523-C-I2000	SLM-1, SLM-1XS	Dataman (70/260/360), Insight (2000/8000/8401/9902L)
AFSB-535XS-B-ACA2500	AFSB-1XS	SLM-535XS-B-ACA2500	SLM-1XS	GigE CIC-(5MR/10MR/300/1300/2000-60/4000/5000), CAM-CIC-12MR
AFSB-560-D-AMT	AFSB-1, AFSB-1XS	SLM-560-D-AMT	SLM-1, SLM-1XS	GigE CIC-5000
AFSB-623-HPIA	AFSB-1, AFSB-1XS	SLM-623-HPIA	SLM-1, SLM-1XS	DM302-HPIA, DM503-HPIA, ODDM-302, ODDM-503, ODDM-R3VI
AFSB-660-AI	AFSB-1, AFSB-1XS	SLM-660-AI	SLM-1, SLM-1XS	DS1000
AFSB-663XS-AI	AFSB-1XS	SLM-663XS-AI	SLM-1XS	DS1000
AFSB-9	AFSB-1	SLM-9	SLM-1	Vision View 900
Contrinex				
AFSB-630XS-30	AFSB-1XS	SLM-630XS-30	SLM-1XS	30mm Sensor Mount
AFSB-7	AFSB-2, AFSB-290, AFSB-2-2XS	SLM-7	SLM-2, SLM-290, SLM-2-2XS	30mm Barrel Type Sensor
AFSB-7XS	AFSB-2XS, AFSB-2-2XS, AFSB-2XS90	SLM-7XS	SLM-2XS, SLM-2-2XS, SLM-2XS90	12mm Barrel Type Sensor
AFSB-8	AFSB-2, AFSB-290, AFSB-2-2XS	SLM-8	SLM-2, SLM-290, SLM-2-2XS	18mm Barrel Type Sensor
AFSB-8XS	AFSB-2XS, AFSB-2-2XS, AFSB-2XS90	SLM-8XS	SLM-2XS, SLM-2-2XS, SLM-2XS90	8mm Barrel Type Sensor
AFSB-SB-8	AFSB-SBH, AFSB-SBH-XS	SLM-SB-8	SLM-SBH, SLM-SBH-XS	8mm Sensor Mount
AFSB-SB-12	AFSB-SBH, AFSB-SBH-XS	SLM-SB-12	SLM-SBH, SLM-SBH-XS	12mm Sensor Mount
AFSB-SB-18	AFSB-SBH, AFSB-SBH-XS	SLM-SB-18	SLM-SBH, SLM-SBH-XS	18mm Sensor Mount
AFSB-SB-30	AFSB-SBH, AFSB-SBH-XS	SLM-SB-30	SLM-SBH, SLM-SBH-XS	30mm Sensor Mount
Dalsa				
AFSB-5	AFSB-1, AFSB-1XS	SLM-5	SLM-1, SLM-1XS	BVS-1024M-INS, BVS-200 Series, Boa 50-1600M-INS, Boa IV 150, Boa IV 500, Boa IV 2000
AFSB-500XS-D-GB	AFSB-1XS	SLM-500XS-D-GB	SLM-1XS	A-CAM-G3-M11-M2020, A-CAM-GM1600-00, BVS-1024M-INS, Boa 50-1600M-INS, Boa BVS-0640, Genie M1600, Genie Nano-2450, Genie Nano-M1920, A-CAM-G3-M11-M2420, TS-C4096, TS-M1920, BVS-200 Series, Genie Nano
AFSB-540-IFM	AFSB-1, AFSB-1XS	SLM-540-IFM	SLM-1, SLM-1XS	Boa 2 Vision
AFSB-550-K-CVIV	AFSB-1, AFSB-1XS	SLM-550-K-CVIV	SLM-1, SLM-1XS	Boa 50-1600M-INS, BVS-1024M-INS, BVS-200 Series
AFSB-560-D-AMT	AFSB-1, AFSB-1XS	SLM-560-D-AMT	SLM-1, SLM-1XS	Genie Nano-2450, A-CAM-G3-M11-M2420, Genie Nano-XL, A-CAM-G3-M11-M2020, Genie Nano
AFSB-561-D-MATRIX	AFSB-1, AFSB-1XS	SLM-561-D-MATRIX	SLM-1, SLM-1XS	BVS-200 Series
AFSB-580-B-VS	AFSB-1, AFSB-1XS	SLM-580-B-VS	SLM-1, SLM-1XS	BOA Spot Vision

MOUNTING PLATE BY BRAND

IMPERIAL		METRIC		Fits
Part #	Mounts to	Part #	Mounts to	
Datalogic				
AFSB-510XS-S-XC56	AFSB-2XS, AFSB-2-2XS, AFSB-2XS90	SLM-510XS-S-XC56	SLM-2XS, SLM-2XS90, SLM-2-2XS	MX-U series
AFSB-560-D-AMT	AFSB-1, AFSB-1XS	SLM-560-D-AMT	SLM-1, SLM-1XS	A20, M1XX w/o bracket, M1/M2/M3XXT series brackets w/ metric & standard holes, M2XX/M3XX/T series without bracket, MX-E series.
AFSB-561-D-MATRIX	AFSB-1, AFSB-1XS	SLM-561-D-MATRIX	SLM-1, SLM-1XS	Matrix (210/300/410/450), A30, P Series, T4X
AFSB-580-B-VS	AFSB-1, AFSB-1XS	SLM-580-B-VS	SLM-1, SLM-1XS	DS2100N
AFSB-585-BVS-E	AFSB-1, AFSB-1XS	SLM-585-BVS-E	SLM-1, SLM-1XS	TL46 Series, VS-2 Series
AFSB-630XS-30	AFSB-1XS	SLM-630XS-30	SLM-1XS	30mm Sensor Mount
AFSB-7	AFSB-2, AFSB-290, AFSB-2-2XS	SLM-7	SLM-2, SLM-290, SLM-2-2XS	30mm Barrel Type Sensor
AFSB-7XS	AFSB-2XS, AFSB-2-2XS, AFSB-2XS90	SLM-7XS	SLM-2XS, SLM-2-2XS, SLM-2XS90	12mm Barrel Type Sensor
AFSB-8	AFSB-2, AFSB-290, AFSB-2-2XS	SLM-8	SLM-2, SLM-290, SLM-2-2XS	18mm Barrel Type Sensor
AFSB-8XS	AFSB-2XS, AFSB-2-2XS, AFSB-2XS90	SLM-8XS	SLM-2XS, SLM-2-2XS, SLM-2XS90	8mm Barrel Type Sensor
AFSB-SB-8	AFSB-SBH, AFSB-SBH-XS	SLM-SB-8	SLM-SBH, SLM-SBH-XS	8mm Sensor Mount
AFSB-SB-12	AFSB-SBH, AFSB-SBH-XS	SLM-SB-12	SLM-SBH, SLM-SBH-XS	12mm Sensor Mount
AFSB-SB-18	AFSB-SBH, AFSB-SBH-XS	SLM-SB-18	SLM-SBH, SLM-SBH-XS	18mm Sensor Mount
AFSB-SB-30	AFSB-SBH, AFSB-SBH-XS	SLM-SB-30	SLM-SBH, SLM-SBH-XS	30mm Sensor Mount
Di-Soric				
AFSB-585-BVS-E	AFSB-1, AFSB-1XS	SLM-585-BVS-E	SLM-1, SLM-1XS	BEK 1-P14-G1TI-IBS
AFSB-630XS-30	AFSB-1XS	SLM-630XS-30	SLM-1XS	30mm Sensor Mount
AFSB-7	AFSB-2, AFSB-290, AFSB-2-2XS	SLM-7	SLM-2, SLM-290, SLM-2-2XS	30mm Barrel Type Sensor
AFSB-7XS	AFSB-2XS, AFSB-2-2XS, AFSB-2XS90	SLM-7XS	SLM-2XS, SLM-2-2XS, SLM-2XS90	12mm Barrel Type Sensor
AFSB-8	AFSB-2, AFSB-290, AFSB-2-2XS	SLM-8	SLM-2, SLM-290, SLM-2-2XS	18mm Barrel Type Sensor
AFSB-8XS	AFSB-2XS, AFSB-2-2XS, AFSB-2XS90	SLM-8XS	SLM-2XS, SLM-2-2XS, SLM-2XS90	8mm Barrel Type Sensor
AFSB-SB-8	AFSB-SBH, AFSB-SBH-XS	SLM-SB-8	SLM-SBH, SLM-SBH-XS	8mm Sensor Mount
AFSB-SB-12	AFSB-SBH, AFSB-SBH-XS	SLM-SB-12	SLM-SBH, SLM-SBH-XS	12mm Sensor Mount
AFSB-SB-18	AFSB-SBH, AFSB-SBH-XS	SLM-SB-18	SLM-SBH, SLM-SBH-XS	18mm Sensor Mount
AFSB-SB-30	AFSB-SBH, AFSB-SBH-XS	SLM-SB-30	SLM-SBH, SLM-SBH-XS	30mm Sensor Mount
FANUC				
AFSB-535XS-B-ACA2500	AFSB-1XS	SLM-535XS-B-ACA2500	SLM-1XS	R-30iB Plus Coax Camera
FLIR				
AFSB-585-BVS-E	AFSB-1, AFSB-1XS	SLM-585-BVS-E	SLM-1, SLM-1XS	A615 Series
GoPro				
AFSB-570XS-GP	AFSB-2XS, AFSB-2-2XS, AFSB-2XS90	SLM-570XS-GP	SLM-2XS, SLM-2-2XS, SLM-2XS90	GoPro camera
HTM				
AFSB-630XS-30	AFSB-1XS	SLM-630XS-30	SLM-1XS	30mm Sensor Mount
AFSB-7	AFSB-2, AFSB-290, AFSB-2-2XS	SLM-7	SLM-2, SLM-290, SLM-2-2XS	30mm Barrel Type Sensor
AFSB-7XS	AFSB-2XS, AFSB-2-2XS, AFSB-2XS90	SLM-7XS	SLM-2XS, SLM-2-2XS, SLM-2XS90	12mm Barrel Type Sensor
AFSB-8	AFSB-2, AFSB-290, AFSB-2-2XS	SLM-8	SLM-2, SLM-290, SLM-2-2XS	18mm Barrel Type Sensor
AFSB-8XS	AFSB-2XS, AFSB-2-2XS, AFSB-2XS90	SLM-8XS	SLM-2XS, SLM-2-2XS, SLM-2XS90	8mm Barrel Type Sensor
AFSB-SB-8	AFSB-SBH, AFSB-SBH-XS	SLM-SB-8	SLM-SBH, SLM-SBH-XS	8mm Sensor Mount
AFSB-SB-12	AFSB-SBH, AFSB-SBH-XS	SLM-SB-12	SLM-SBH, SLM-SBH-XS	12mm Sensor Mount
AFSB-SB-18	AFSB-SBH, AFSB-SBH-XS	SLM-SB-18	SLM-SBH, SLM-SBH-XS	18mm Sensor Mount
AFSB-SB-30	AFSB-SBH, AFSB-SBH-XS	SLM-SB-30	SLM-SBH, SLM-SBH-XS	30mm Sensor Mount

IMPERIAL		METRIC		Fits
Part #	Mounts to	Part #	Mounts to	
IDS				
AFSB-521-C-DI	AFSB-1, AFSB-1XS	SLM-521-C-DI	SLM-1, SLM-1XS	UI-3480-LE-M-GL
AFSB-535XS-B-ACA2500	AFSB-1XS	SLM-535XS-B-ACA2500	SLM-1XS	UI-3480-LE-M-GL
AFSB-550-K-CVIV	AFSB-1, AFSB-1XS	SLM-550-K-CVIV	SLM-1, SLM-1XS	UI-3060CP-C-HQ
AFSB-560-D-AMT	AFSB-1, AFSB-1XS	SLM-560-D-AMT	SLM-1, SLM-1XS	UI-3480-LE-M-GL
AFSB-575XS-IDS-CP	AFSB-1XS	SLM-575XS-IDS-CP	SLM-1XS	UI-3060CP-C-HQ, IDS GigE UEye CP, IDS USB3 uEye Cp Cameras
IFM				
AFSB-5	AFSB-1, AFSB-1XS	SLM-5	SLM-1, SLM-1XS	05H500
AFSB-500XS-D-GB	AFSB-1XS	SLM-500XS-D-GB	SLM-1XS	05H500
AFSB-530-B-P4	AFSB-1, AFSB-1XS	SLM-530-B-P4	SLM-1, SLM-1XS	03D302
AFSB-540-IFM	AFSB-1, AFSB-1XS	SLM-540-IFM	SLM-1, SLM-1XS	01D100, 02D220, 02V100, 03D200, 03D201
AFSB-550-K-CVIV	AFSB-1, AFSB-1XS	SLM-550-K-CVIV	SLM-1, SLM-1XS	05H500
AFSB-630XS-30	AFSB-1XS	SLM-630XS-30	SLM-1XS	30mm Sensor Mount
AFSB-7	AFSB-2, AFSB-290, AFSB-2-2XS	SLM-7	SLM-2, SLM-290, SLM-2-2XS	30mm Barrel Type Sensor
AFSB-7XS	AFSB-2XS, AFSB-2-2XS, AFSB-2XS90	SLM-7XS	SLM-2XS, SLM-2-2XS, SLM-2XS90	12mm Barrel Type Sensor
AFSB-8	AFSB-2, AFSB-290, AFSB-2-2XS	SLM-8	SLM-2, SLM-290, SLM-2-2XS	18mm Barrel Type Sensor
AFSB-8XS	AFSB-2XS, AFSB-2-2XS, AFSB-2XS90	SLM-8XS	SLM-2XS, SLM-2-2XS, SLM-2XS90	8mm Barrel Type Sensor
AFSB-SB-8	AFSB-SBH, AFSB-SBH-XS	SLM-SB-8	SLM-SBH, SLM-SBH-XS	8mm Sensor Mount
AFSB-SB-12	AFSB-SBH, AFSB-SBH-XS	SLM-SB-12	SLM-SBH, SLM-SBH-XS	12mm Sensor Mount
AFSB-SB-18	AFSB-SBH, AFSB-SBH-XS	SLM-SB-18	SLM-SBH, SLM-SBH-XS	18mm Sensor Mount
AFSB-SB-30	AFSB-SBH, AFSB-SBH-XS	SLM-SB-30	SLM-SBH, SLM-SBH-XS	30mm Sensor Mount
Imaging Source				
AFSB-510XS-S-XC56	AFSB-2XS, AFSB-2-2XS, AFSB-2XS90	SLM-510XS-S-XC56	SLM-2XS, SLM-2XS90, SLM-2-2XS	DXK23F274, DXK23F445, DXK23F618, DXK23FM021, DXK23FP031, DXK23FV024, DXK23G274, DXK23G445, DXK23G618, DXK23GM021, DXK23GP031, DXK23GV024, DXK23GX174, DXK23U274, DXK23U445, DXK23U618, DXK23UM021, DXK23UP031, DXK23UV024, DXX21BF04-Z2.H, DXX31BF03-Z2.H
AFSB-521-C-DI	AFSB-1, AFSB-1XS	SLM-521-C-DI	SLM-1, SLM-1XS	DFKAFU130-L53, DXK23F274, DXK23F445, DXK23F618, DXK23FM021, DXK23FP031, DXK23FV024, DXK23G274, DXK23G445, DXK23G618, DXK23GM021, DXK23GP031, DXK23GV024, DXK23GX174, DXK23U274, DXK23U445, DXK23U618, DXK23UM021, DXK23UP031, DXK23UV024, DXX21BF04-Z2.H, DXX31BF03-Z2.H
AFSB-535XS-B-ACA2500	AFSB-1XS	SLM-535XS-B-ACA2500	SLM-1XS	DFKAFU130-L53, DXK23F274, DXK23F445, DXK23F618, DXK23FM021, DXK23FP031, DXK23FV024, DXK23G274, DXK23G445, DXK23G618, DXK23GM021, DXK23GP031, DXK23GV024, DXK23GX174, DXK23U274, DXK23U445, DXK23U618, DXK23UM021, DXK23UP031, DXK23UV024, DXX21BF04-Z2.H, DXX31BF03-Z2.H
AFSB-550-K-CVIV	AFSB-1, AFSB-1XS	SLM-550-K-CVIV	SLM-1, SLM-1XS	DFKAFU050-L34, DFKECU010-M12, DXK22AUC03, DXK22BUC03, DXK24UJ003, DXK24UP031, DXK42AUC03, DXK42BUC03, DXK72AUC02, DXK72BUC02
AFSB-560-D-AMT	AFSB-1, AFSB-1XS	SLM-560-D-AMT	SLM-1, SLM-1XS	DFKAFU130-L53, DXK23F274, DXK23F445, DXK23F618, DXK23FM021, DXK23FP031, DXK23FV024, DXK23G274, DXK23G445, DXK23G618, DXK23GM021, DXK23GP031, DXK23GV024, DXK23GX174, DXK23U274, DXK23U445, DXK23U618, DXK23UM021, DXK23UP031, DXK23UV024, DXX21BF04-Z2.H, DXX31BF03-Z2.H
AFSB-575XS-IDS-CP	AFSB-1XS	SLM-575XS-IDS-CP	SLM-1XS	DXXK12GP031, DXXK30GP031
JAI				
AFSB-500XS-D-GB	AFSB-1XS	SLM-500XS-D-GB	SLM-1XS	GO-CV-A1, GO-CV-A1-UV
AFSB-510XS-S-XC56	AFSB-2XS, AFSB-2-2XS, AFSB-2XS90	SLM-510XS-S-XC56	SLM-2XS, SLM-2-2XS, SLM-2XS90	GO-5000C-PGE, GO-5000M-PGE
AFSB-535XS-B-ACA2500	AFSB-1XS	SLM-535XS-B-ACA2500	SLM-1XS	GO-2400-USB, GO-5100-USB
AFSB-550-K-CVIV	SLM-1, SLM-1XS	SLM-550-K-CVIV	SLM-1, SLM-1XS	BM-500GE
AFSB-575XS-IDS-CP	AFSB-1XS	SLM-575XS-IDS-CP	SLM-1XS	BM-500GE

IMPERIAL		METRIC		Fits
Part #	Mounts to	Part #	Mounts to	
Keyence				
AFSB-5	AFSB-1, AFSB-1XS	SLM-5	SLM-1, SLM-1XS	IV-(150/500/2000) Vision, CA-DBW5, LJ-V7300 Series, OP-88344, OP-83346
AFSB-500XS-D-GB	AFSB-1XS	SLM-500XS-D-GB	SLM-1XS	OP-88344, OP-83346
AFSB-501-M-GTR	SLM-1, SLM-1XS	SLM-501-M-GTR	SLM-1, SLM-1XS	SR2000 Series
AFSB-512XS-OM-FQ2-FH	AFSB-1XS	SLM-512XS-OM-FQ2-FH	SLM-1XS	LJ-V7060 Series
AFSB-516-S-INSPECTOR	AFSB-1, AFSB-1XS	SLM-516-S-INSPECTOR	SLM-1, SLM-1XS	SR1000 Series w/ Bracket, IL-2000
AFSB-520XS-C-DMIC	AFSB-1XS	SLM-520XS-C-DMIC	SLM-1XS	CA-HX048-C w/o Bracket, CA-HX048-M w/o Bracket, CA-H048-MX w/ or w/o Bracket, CA-HX500C, CA-HX500M, CA-H500MX
AFSB-521-C-DI	AFSB-1, AFSB-1XS	SLM-521-C-DI	SLM-1, SLM-1XS	LV-S31 w/ Bracket
AFSB-523-C-I2000	AFSB-1, AFSB-1XS	SLM-523-C-I2000	SLM-1, SLM-1XS	CA-200 Series, CA-H200 Series, CA-H500MX Series, CA-H035M Series, CA-H035C Series, CA-035M Series, CA-035C Series
AFSB-530-B-P4	AFSB-1, AFSB-1XS	SLM-530-B-P4	SLM-1, SLM-1XS	IL-2000
AFSB-532-B-IVU	AFSB-1, AFSB-1XS	SLM-532-B-IVU	SLM-1, SLM-1XS	OP-87770
AFSB-535XS-B-ACA2500	AFSB-1XS	SLM-535XS-B-ACA2500	SLM-1XS	LV-S31 w/ Bracket
AFSB-550-K-CVIV	AFSB-1, AFSB-1XS	SLM-550-K-CVIV	SLM-1, SLM-1XS	CA-200 Series, CA-DBW5, CA-H200 series, CA-HX200M, CA-H500C, CA-H500M, CA-HX500C, CA-H500MX, CA-HX500M, CV-035 w/ or w/o Bracket, CA-035C, CA-035M, CA-H035C, CA-H035M, CV-200 w/ or w/o Bracket, CV-H500C, CV-H500M, CV-S035, CV-S200, IV-150, IV-500, IV-2000 IV-H500CA, IV-H2000MA, LJ-V7020/K, LJ-V7060, LJ-V7200, SR-D100, XG-035C, XG-035M, XG-200C, XG-200M, XG-H200M, XG-H500M, Mounting Wall Adapter
AFSB-551XS-K-SR650-750	AFSB-1XS	SLM-551XS-K-SR650-750	SLM-1XS	SR650, SR650HA, SR651, SR750, SR750HA, SR751, SR752, SR1000 series
AFSB-552XS-K-IVG	AFSB-1XS	SLM-552XS-K-IVG	SLM-1XS	CA-HX048-C w/ or w/o Bracket, CA-H048-MX w/ or w/o Bracket, CA-HX048-M w/ or w/o Bracket, IV-HG series, IV-G series, IV2-G
AFSB-560-D-AMT	AFSB-1, AFSB-1XS	SLM-560-D-AMT	SLM-1, SLM-1XS	LV-S31 w/ Bracket
AFSB-561-D-MATRIX	AFSB-1, AFSB-1XS	SLM-561-D-MATRIX	SLM-1, SLM-1XS	CA-H500MX Series
AFSB-575XS-IDS-CP	AFSB-1XS	SLM-575XS-IDS-CP	SLM-1XS	CA-H2100C, CA-H2100M, CA-HL02X, CA-HL04X, XG-H2100M, XG-HL08M
AFSB-580-B-VS	AFSB-1, AFSB-1XS	SLM-580-B-VS	SLM-1, SLM-1XS	CA-DXR5, LJ-V7060 Series, OP-88345
AFSB-585-BVS-E	AFSB-1, AFSB-1XS	SLM-585-BVS-E	SLM-1, SLM-1XS	SR610, SR700, SR700HA, SR710,
AFSB-591-M-QX-HAWK	AFSB-1, AFSB-1XS	SLM-591-M-QX-HAWK	SLM-1, SLM-1XS	LR-W500C, LR-ZB250CP, LR-ZH500 Series
AFSB-5XS	AFSB-2XS, AFSB-2-2XS, AFSB-2XS90	SLM-5XS	SLM-2XS, SLM-2-2XS, SLM-2XS90	XG-HL08M
AFSB-630XS-30	AFSB-1XS	SLM-630XS-30	SLM-1XS	30mm Sensor Mount
AFSB-650-HPD100-150	AFSB-1, AFSB-1XS	SLM-650-HPD100-150	SLM-1, SLM-1XS	CA-DRW10X
AFSB-651-K	AFSB-1, AFSB-1XS	AFSB-651-K	SLM-1, SLM-1XS	DRM20X, DRR10F
AFSB-661-AI-RL	AFSB-1, AFSB-1XS	SLM-661-AI-RL	SLM-1, SLM-1XS	CA-DRW5X, LK-G400, LK-G402, LK-G405, LK-G407
AFSB-7	AFSB-2, AFSB-290, AFSB-2-2XS	SLM-7	SLM-2, SLM-290, SLM-2-2XS	30mm Barrel Type Sensor
AFSB-7XS	AFSB-2XS, AFSB-2-2XS, AFSB-2XS90	SLM-7XS	SLM-2XS, SLM-2-2XS, SLM-2XS90	12mm Barrel Type Sensor
AFSB-8	AFSB-2, AFSB-290, AFSB-2-2XS	SLM-8	SLM-2, SLM-290, SLM-2-2XS	18mm Barrel Type Sensor
AFSB-8XS	AFSB-2XS, AFSB-2-2XS, AFSB-2XS90	SLM-8XS	SLM-2XS, SLM-2-2XS, SLM-2XS90	8mm Barrel Type Sensor
AFSB-9	AFSB-1	SLM-9	SLM-1	CA-DBW12W, CA-DZW10X, CA-DZW30X, OP-88381
AFSB-SB-8	AFSB-SBH, AFSB-SBH-XS	SLM-SB-8	SLM-SBH, SLM-SBH-XS	8mm Sensor Mount
AFSB-SB-12	AFSB-SBH, AFSB-SBH-XS	SLM-SB-12	SLM-SBH, SLM-SBH-XS	12mm Sensor Mount
AFSB-SB-18	AFSB-SBH, AFSB-SBH-XS	SLM-SB-18	SLM-SBH, SLM-SBH-XS	18mm Sensor Mount
AFSB-SB-30	AFSB-SBH, AFSB-SBH-XS	SLM-SB-30	SLM-SBH, SLM-SBH-XS	30mm Sensor Mount

IMPERIAL		METRIC		Fits
Part #	Mounts to	Part #	Mounts to	
Leuze				
AFSB-630XS-30	AFSB-1XS	SLM-630XS-30	SLM-1XS	30mm Sensor Mount
AFSB-7	AFSB-2, AFSB-290, AFSB-2-2XS	SLM-7	SLM-2, SLM-290, SLM-2-2XS	30mm Barrel Type Sensor
AFSB-7XS	AFSB-2XS, AFSB-2-2XS, AFSB-2XS90	SLM-7XS	SLM-2XS, SLM-2-2XS, SLM-2XS90	12mm Barrel Type Sensor
AFSB-8	AFSB-2, AFSB-290, AFSB-2-2XS	SLM-8	SLM-2, SLM-290, SLM-2-2XS	18mm Barrel Type Sensor
AFSB-8XS	AFSB-2XS, AFSB-2-2XS, AFSB-2XS90	SLM-8XS	SLM-2XS, SLM-2-2XS, SLM-2XS90	8mm Barrel Type Sensor
AFSB-SB-8	AFSB-SBH, AFSB-SBH-XS	SLM-SB-8	SLM-SBH, SLM-SBH-XS	8mm Sensor Mount
AFSB-SB-12	AFSB-SBH, AFSB-SBH-XS	SLM-SB-12	SLM-SBH, SLM-SBH-XS	12mm Sensor Mount
AFSB-SB-18	AFSB-SBH, AFSB-SBH-XS	SLM-SB-18	SLM-SBH, SLM-SBH-XS	18mm Sensor Mount
AFSB-SB-30	AFSB-SBH, AFSB-SBH-XS	SLM-SB-30	SLM-SBH, SLM-SBH-XS	30mm Sensor Mount
LMI				
AFSB-550-K-CVIV	AFSB-1, AFSB-1XS	SLM-550-K-CVIV	SLM-1, SLM-1XS	Gocator 2500
AFSB-571-G-2320	AFSB-1, AFSB-1XS	SLM-571-G-2320	SLM-1, SLM-1XS	Gocator 1320, 2320, & 2330
AFSB-572-G-2340	AFSB-1, AFSB-1XS	SLM-572-G-2340	SLM-1, SLM-1XS	Gocator 2330, 2340, 2350, 2370, & 2380
Matrox				
AFSB-501-M-GTR	AFSB-1, AFSB-1XS	SLM-501-M-GTR	SLM-1, SLM-1XS	GT & GTR Cameras
Metaphase				
AFSB-640-M	AFSB-1	SLM-640-M	SLM-1	ISO-19 and ISO-23
AFSB-641-M	AFSB-1	SLM-641-M	SLM-1	ISO-14
AFSB-642-M	AFSB-1	SLM-642-M	SLM-1	ISO-8
AFSB-643-M-DL	AFSB-1, AFSB-1XS	SLM-643-M-DL	SLM-1, SLM-1XS	MB-DL101, MB-DL206, MB-DL306, MB-DL406, MB-DL606, MB-DL706, MB-DL906
AFSB-644-M-RL	AFSB-1, AFSB-1XS	SLM-644-M-RL	SLM-1, SLM-1XS	MB-RL101, MB-RL 205, MB-RL301, MB-BL410
AFSB-646-M-RL050	AFSB-1, AFSB-1XS	SLM-646-M-RL050	SLM-1, SLM-1XS	RAL-050
AFSB-648-M-FLD	AFSB-1	SLM-648-M-FLD	SLM-1	FLD806
Microscan				
AFSB-500XS-D-GB	AFSB-1XS	SLM-500XS-D-GB	SLM-1XS	CCD, CMOS
AFSB-501-M-GTR	AFSB-1, AFSB-1XS	SLM-501-M-GTR	SLM-1, SLM-1XS	MV-4000
AFSB-560-D-AMT	AFSB-1, AFSB-1XS	SLM-560-D-AMT	SLM-1, SLM-1XS	CCD, CMOS
AFSB-590XS-M-MINIHAWK	AFSB-1XS	SLM-590XS-M-MINIHAWK	SLM-1XS	MS-3, MS-4X, Mini XI, Minihawk, FIS-3600-3001G, Qaudris Mini
AFSB-591-M-QX-HAWK	AFSB-1, AFSB-1XS	SLM-591-M-QX-HAWK	SLM-1, SLM-1XS	QX Hawk
AFSB-592-M-QX-830-870	AFSB-1, AFSB-1XS	SLM-592-M-QX-830-870	SLM-1, SLM-1XS	QX830, QX870
AFSB-593XS-M-MICROHAWK	AFSB-1XS	SLM-593XS-M-MICROHAWK	SLM-1XS	ID-20, ID-30, ID-40, MV-40, V420
Non-Brand Specific				
AFSB-5XS	AFSB-2XS, AFSB-2-2XS, AFSB-2XS90	SLM-5XS	SLM-2XS, SLM-2XS90, SLM-2-2XS	1/4-20 Tripod
AFSB-6	AFSB-1	SLM-6	SLM-1	This blank plate is for end user custom mounting, 4.31"x 2.5"x .38"
AFSB-6XS	AFSB-1XS	SLM-6XS	SLM-1XS	This blank plate is for end user custom mounting, 2.75"x1.75"x.38"
AFSB-630XS-30	AFSB-1XS	SLM-630XS-30	SLM-1XS	30mm thread

IMPERIAL		METRIC		Fits
Part #	Mounts to	Part #	Mounts to	
National Instruments				
AFSB-501-M-GTR	AFSB-1XS	SLM-501-M-GTR	SLM-1XS	ISC-1781
Omron				
AFSB-5	AFSB-1, AFSB-1XS	SLM-5	SLM-1, SLM-1XS	FH-SMX05
AFSB-5XS	AFSB-2XS, AFSB-2-2XS, AFSB-2XS90	SLM-5XS	SLM-2XS, SLM-2-2XS, SLM-2XS90	FH w/Mounting Base
AFSB-500XS-D-GB	AFSB-1XS	SLM-500XS-D-GB	SLM-1XS	FH-SMX05
AFSB-510XS-S-XC56	AFSB-2XS, AFSB-2-2XS, AFSB-2XS90	SLM-510XS-S-XC56	SLM-2XS, SLM-2-2XS, SLM-2XS90	FZ-S, FZ-SC, FZ-S2M, FZ-SC2M, FH-SM05R, FH-SC05R
AFSB-512XS-OM-FQ2-FH	AFSB-1XS	SLM-512XS-OM-FQ2-FH	SLM-1XS	FH-SC, FH-SC02, FH-SC04, FH-SC05R, FH-SM, FH-SM02, FH-SM04, FH-SM05R, FQ2, FZ-S, FZ-S2M, FZ-S5M2, FZ-SC, FZ-SC2M, FZ-SC5M2, FZ-SH, FZ-SHC
AFSB-516-S-INSPECTOR	AFSB-1, AFSB-1XS	SLM-516-S-INSPECTOR	SLM-1, SLM-1XS	FHV7H-00000-C, FHV7H00000-H00-00, FHV7H-00000H06, FHV7H-00000-H19, FHV7H-00000-S00, FHV7H-00000-S00-00
AFSB-630XS-30	AFSB-1XS	SLM-630XS-30	SLM-1XS	30mm Sensor Mount
AFSB-7	AFSB-2, AFSB-290, AFSB-2-2XS	SLM-7	SLM-2, SLM-290, SLM-2-2XS	30mm Barrel Type Sensor
AFSB-7XS	AFSB-2XS, AFSB-2-2XS, AFSB-2XS90	SLM-7XS	SLM-2XS, SLM-2-2XS, SLM-2XS90	12mm Barrel Type Sensor
AFSB-8	AFSB-2, AFSB-290, AFSB-2-2XS	SLM-8	SLM-2, SLM-290, SLM-2-2XS	18mm Barrel Type Sensor
AFSB-8XS	AFSB-2XS, AFSB-2-2XS, AFSB-2XS90	SLM-8XS	SLM-2XS, SLM-2-2XS, SLM-2XS90	8mm Barrel Type Sensor
AFSB-SB-8	AFSB-SBH, AFSB-SBH-XS	SLM-SB-8	SLM-SBH, SLM-SBH-XS	8mm Sensor Mount
AFSB-SB-12	AFSB-SBH, AFSB-SBH-XS	SLM-SB-12	SLM-SBH, SLM-SBH-XS	12mm Sensor Mount
AFSB-SB-18	AFSB-SBH, AFSB-SBH-XS	SLM-SB-18	SLM-SBH, SLM-SBH-XS	18mm Sensor Mount
AFSB-SB-30	AFSB-SBH, AFSB-SBH-XS	SLM-SB-30	SLM-SBH, SLM-SBH-XS	30mm Sensor Mount
Panasonic				
AFSB-550-K-CVIV	AFSB-1, AFSB-1XS	SLM-550-K-CVIV	SLM-1, SLM-1XS	EX-L221-P-J
Pepperl + Fuchs				
AFSB-561-D-MATRIX	AFSB-1, AFSB-1XS	SLM-561-D-MATRIX	SLM-1, SLM-1XS	CBN15-F64-A2-V31
AFSB-630XS-30	AFSB-1XS	SLM-630XS-30	SLM-1XS	30mm Sensor Mount
AFSB-7	AFSB-2, AFSB-290, AFSB-2-2XS	SLM-7	SLM-2, SLM-290, SLM-2-2XS	30mm Barrel Type Sensor
AFSB-7XS	AFSB-2XS, AFSB-2-2XS, AFSB-2XS90	SLM-7XS	SLM-2XS, SLM-2-2XS, SLM-2XS90	12mm Barrel Type Sensor
AFSB-8	AFSB-2, AFSB-290, AFSB-2-2XS	SLM-8	SLM-2, SLM-290, SLM-2-2XS	18mm Barrel Type Sensor
AFSB-8XS	AFSB-2XS, AFSB-2-2XS, AFSB-2XS90	SLM-8XS	SLM-2XS, SLM-2-2XS, SLM-2XS90	8mm Barrel Type Sensor
AFSB-SB-8	AFSB-SBH, AFSB-SBH-XS	SLM-SB-8	SLM-SBH, SLM-SBH-XS	8mm Sensor Mount
AFSB-SB-12	AFSB-SBH, AFSB-SBH-XS	SLM-SB-12	SLM-SBH, SLM-SBH-XS	12mm Sensor Mount
AFSB-SB-18	AFSB-SBH, AFSB-SBH-XS	SLM-SB-18	SLM-SBH, SLM-SBH-XS	18mm Sensor Mount
AFSB-SB-30	AFSB-SBH, AFSB-SBH-XS	SLM-SB-30	SLM-SBH, SLM-SBH-XS	30mm Sensor Mount
Piab				
AFSB-10-V	--	SLM-10-V	--	8MM to G1/2

IMPERIAL		METRIC		Fits
Part #	Mounts to	Part #	Mounts to	
Red Lion				
AFSB-630XS-30	AFSB-1XS	SLM-630XS-30	SLM-1XS	30mm Sensor Mount
AFSB-7	AFSB-2, AFSB-290, AFSB-2-2XS	SLM-7	SLM-2, SLM-290, SLM-2-2XS	30mm Barrel Type Sensor
AFSB-7XS	AFSB-2XS, AFSB-2-2XS, AFSB-2XS90	SLM-7XS	SLM-2XS, SLM-2-2XS, SLM-2XS90	12mm Barrel Type Sensor
AFSB-8	AFSB-2, AFSB-290, AFSB-2-2XS	SLM-8	SLM-2, SLM-290, SLM-2-2XS	18mm Barrel Type Sensor
AFSB-8XS	AFSB-2XS, AFSB-2-2XS, AFSB-2XS90	SLM-8XS	SLM-2XS, SLM-2-2XS, SLM-2XS90	8mm Barrel Type Sensor
AFSB-SB-8	AFSB-SBH, AFSB-SBH-XS	SLM-SB-8	SLM-SBH, SLM-SBH-XS	8mm Sensor Mount
AFSB-SB-12	AFSB-SBH, AFSB-SBH-XS	SLM-SB-12	SLM-SBH, SLM-SBH-XS	12mm Sensor Mount
AFSB-SB-18	AFSB-SBH, AFSB-SBH-XS	SLM-SB-18	SLM-SBH, SLM-SBH-XS	18mm Sensor Mount
AFSB-SB-30	AFSB-SBH, AFSB-SBH-XS	SLM-SB-30	SLM-SBH, SLM-SBH-XS	30mm Sensor Mount
Sensopart				
AFSB-515XS-S-ICR620	AFSB-1XS	SLM-515XS-S-ICR620	SLM-1XS	Visor Mounting Block
AFSB-516-S-INSPECTOR	AFSB-1, AFSB-1XS	SLM-516-S-INSPECTOR	SLM-1, SLM-1XS	Visor Mounting Block
AFSB-630XS-30	AFSB-1XS	SLM-630XS-30	SLM-1XS	30mm Sensor Mount
AFSB-7	AFSB-2, AFSB-290, AFSB-2-2XS	SLM-7	SLM-2, SLM-290, SLM-2-2XS	30mm Barrel Type Sensor
AFSB-7XS	AFSB-2XS, AFSB-2-2XS, AFSB-2XS90	SLM-7XS	SLM-2XS, SLM-2-2XS, SLM-2XS90	12mm Barrel Type Sensor
AFSB-8	AFSB-2, AFSB-290, AFSB-2-2XS	SLM-8	SLM-2, SLM-290, SLM-2-2XS	18mm Barrel Type Sensor
AFSB-8XS	AFSB-2XS, AFSB-2-2XS, AFSB-2XS90	SLM-8XS	SLM-2XS, SLM-2-2XS, SLM-2XS90	8mm Barrel Type Sensor
AFSB-SB-8	AFSB-SBH, AFSB-SBH-XS	SLM-SB-8	SLM-SBH, SLM-SBH-XS	8mm Sensor Mount
AFSB-SB-12	AFSB-SBH, AFSB-SBH-XS	SLM-SB-12	SLM-SBH, SLM-SBH-XS	12mm Sensor Mount
AFSB-SB-18	AFSB-SBH, AFSB-SBH-XS	SLM-SB-18	SLM-SBH, SLM-SBH-XS	18mm Sensor Mount
AFSB-SB-30	AFSB-SBH, AFSB-SBH-XS	SLM-SB-30	SLM-SBH, SLM-SBH-XS	30mm Sensor Mount
Sentech				
AFSB-510XS-S-XC56	AFSB-2XS, AFSB-2-2XS, AFSB-2XS90	SLM-510XS-S-XC56	SLM-2XS, SLM-2-2XS, SLM-2XS90	STC-MCA5MUSB3
AFSB-512XS-OM-FQ2-FH	AFSB-1XS	SLM-512XS-OM-FQ2-FH	SLM-1XS	STC-MBCM200U3V, STC-MBCM401U3V, STC-MBE132U3V, STC-MBS231U3V, STC-MBS241U3V, STC-MBS312U3V, STC-MBS322U3V, STC-MBS500U3V, STC-MBS510U3V, STC-MCA5MUSB3, STC-MCCM200U3V, STC-MCCM401U3V, STC-MCE132U3V, STC-MCS231U3V, STC-MCS241U3V, STC-MCS312U3V, STC-MCS322U3V, STC-MCS500U3V, STC-MCS510U3V
AFSB-575XS-IDS-CP	AFSB-1XS	SLM-575XS-IDS-CP	SLM-1XS	HD (cased)
AFSB-580-B-VS	AFSB-1, AFSB-1XS	SLM-580-B-VS	SLM-1, SLM-1XS	STC-MBCM200U3V, STC-MBCM401U3V, STC-MBE132U3V, STC-MBS231U3V, STC-MBS241U3V, STC-MBS312U3V, STC-MBS322U3V, STC-MBS500U3V, STC-MBS510U3V, STC-MCCM200U3V, STC-MCCM401U3V, STC-MCE132U3V, STC-MCS231U3V, STC-MCS241U3V, STC-MCS312U3V, STC-MCS322U3V, STC-MCS500U3V, STC-MCS510U3V

IMPERIAL		METRIC		Fits
Part #	Mounts to	Part #	Mounts to	
SICK				
AFSB-515XS-S-ICR620	AFSB-1XS	SLM-515XS-S-ICR620	SLM-1XS	CLV-63X series, CLV-64X series, CLV-65X series, JEF3XX series, JEF5XX series, Lector 62X series
AFSB-516-S-INSPECTOR	AFSB-1, AFSB-1XS	SLM-516-S-INSPECTOR	SLM-1, SLM-1XS	CLV-61X series, CLV-63X series, CLV-64X series, CLV-65X series, INSPECTOR I series, IVC 2D, JEF3XX series, JEF5XX series, LMS-100-1000, LUT3, LUT9, Lector 63X series, TIM310, VSPM-6F2113
AFSB-517S-LECTOR64X65X	AFSB-1, AFSB-1XS	SLM-517S-LECTOR64X65X	SLM-1, SLM-1XS	Lector 64X series, Lector 65X series
AFSB-550-K-CVIV	AFSB-1, AFSB-1XS	SLM-550-K-CVIV	SLM-1, SLM-1XS	HL18T-P4A3BB, WL160-P440
AFSB-552XS-K-IVG	AFSB-1XS	SLM-552XS-K-IVG	SLM-1XS	OD Mini series
AFSB-630XS-30	AFSB-1XS	SLM-630XS-30	SLM-1XS	30mm Sensor Mount
AFSB-8	AFSB-2, AFSB-290, AFSB-2-2XS	SLM-8	SLM-2, SLM-290, SLM-2-2XS	18mm Barrel Type Sensor
AFSB-SB-18	AFSB-SBH, AFSB-SBH-XS	SLM-SB-18	SLM-SBH, SLM-SBH-XS	18mm Sensor Mount
Siemens				
AFSB-5	AFSB-1, AFSB-1XS	SLM-5	SLM-1, SLM-1XS	MV 440
AFSB-501-M-GTR	AFSB-1, AFSB-1XS	SLM-501-M-GTR	SLM-1, SLM-1XS	MV 440
AFSB-561-D-MATRIX	AFSB-1, AFSB-1XS	SLM-561-D-MATRIX	SLM-1, SLM-1XS	MV 440
Smart Vision				
AFSB-5	AFSB-1, AFSB-1XS	SLM-5	SLM-1, SLM-1XS	LM45, LM75
AFSB-516-S-INSPECTOR	AFSB-1, AFSB-1XS	SLM-516-S-INSPECTOR	SLM-1, SLM-1XS	LM45, LM75
AFSB-520XS-C-DMIC	AFSB-1XS	SLM-520XS-C-DMIC	SLM-1XS	LM45
AFSB-540-IFM	AFSB-1, AFSB-1XS	SLM-540-IFM	SLM-1, SLM-1XS	LM45, LM75
AFSB-550-K-CVIV	AFSB-1, AFSB-1XS	SLM-550-K-CVIV	SLM-1, SLM-1XS	LM45, LM75
AFSB-551XS-K-SR650-750	AFSB-1XS	SLM-551XS-K-SR650-750	SLM-1XS	LM45
AFSB-552XS-K-IVG	AFSB-1XS	SLM-552XS-K-IVG	SLM-1XS	LM45
AFSB-575XS-IDS-CP	AFSB-1XS	SLM-575XS-IDS-CP	SLM-1XS	LM45
AFSB-580-B-VS	AFSB-1, AFSB-1XS	SLM-580-B-VS	SLM-1, SLM-1XS	LM45, LM75
AFSB-585-BVS-E	AFSB-1, AFSB-1XS	SLM-585-BVS-E	SLM-1, SLM-1XS	LM45, LM75
AFSB-591-M-QX-HAWK	AFSB-1, AFSB-1XS	SLM-591-M-QX-HAWK	SLM-1, SLM-1XS	LM45, LM75
AFSB-592-M-QX-830-870	AFSB-1, AFSB-1XS	SLM-592-M-QX-830-870	SLM-1, SLM-1XS	LM45, LM75
AFSB-620-S75	AFSB-1, AFSB-1XS	SLM-620-S75	SLM-1, SLM-1XS	S75, SB75, SC75, SW75, ODS75, ODSB75, ODSW75
AFSB-621-L300	AFSB-1, AFSB-1XS	SLM-621-L300	SLM-1, SLM-1XS	L300, LB300
AFSB-622-SV-EZRL	AFSB-1, AFSB-1XS	SLM-622-SV-EZRL	SLM-1, SLM-1XS	EZ, R80, R130
AFSB-623-HPIA	AFSB-1, AFSB-1XS	SLM-623-HPIA	SLM-1, SLM-1XS	HPIA Lights
AFSB-630XS-30	AFSB-1XS	SLM-630XS-30	SLM-1XS	ODSX30, ODSX30, ODSX30 N4, ODSXA30, ODSXP30, ODSXW30, SX30, SX30 N4, SXA30, SXF30, SXP30, SXW30
AFSB-660-AI	AFSB-1, AFSB-1XS	SLM-660-AI	SLM-1, SLM-1XS	LM45, LM75
AFSB-661-AI-RL	AFSB-1, AFSB-1XS	SLM-661-AI-RL	SLM-1, SLM-1XS	LM75
AFSB-663XS-AI	AFSB-1XS	SLM-663XS-AI	SLM-1XS	LM45
AFSB-7	AFSB-2, AFSB-290, AFSB-2-2XS	SLM-7	SLM-2, SLM-290, SLM-2-2XS	30mm Sensor Barrel
AFSB-SB-30	AFSB-SBH, AFSB-SBH-XS	SLM-SB-30	SLM-SBH, SLM-SBH-XS	10mm Sensor Mount

IMPERIAL		METRIC		Fits
Part #	Mounts to	Part #	Mounts to	
Sony				
AFSB-5XS	AFSB-2XS, AFSB-2-2XS, AFSB-2XS90	SLM-5XS	SLM-2XS, SLM-2-2XS, SLM-2XS90	DFK23UX249 Tri-Pod
AFSB-500XS-D-GB	AFSB-1XS	SLM-500XS-D-GB	SLM-1XS	XC-ST50
AFSB-510XS-S-XC56	AFSB-2XS, AFSB-2-2XS, AFSB-2XS90	SLM-510XS-S-XC56	SLM-2XS, SLM-2-2XS, SLM-2XS90	XC56 Tri-Pod
AFSB-535XS-B-ACA2500	AFSB-1XS	SLM-535XS-B-ACA2500	SLM-1XS	Bobcat B1310
Spectrum Illumination				
AFSB-592-M-QX-830-870	AFSB-1, AFSB-1XS	SLM-592-M-QX-830-870	SLM-1, SLM-1XS	BL22, BL34, BL312
AFSB-610-S	AFSB-1, AFSB-1-15	SLM-610-S	SLM-1, SLM-1-40	BL48, MBL48
AFSB-611-S	AFSB-1, AFSB-1-15	SLM-611-S	SLM-1, SLM-1-40	BL18, LA18
AFSB-612-S	AFSB-1, AFSB-1-15	SLM-612-S	SLM-1, SLM-1-40	BL46, BL56, MBL46
AFSB-613-S	AFSB-1, AFSB-1-15	SLM-613-S	SLM-1, SLM-1-40	BL26, LL16, LL26, MBLL16, MBLL26, MLL16, MLL26
AFSB-614-S	AFSB-1, AFSB-1-15	SLM-614-S	SLM-1, SLM-1-40	BL14, BL24, LA14, LA24
AFSB-615-S	AFSB-1, AFSB-1-15	SLM-615-S	SLM-1, SLM-1-40	BL34, BL44, MBL44
AFSB-660-AI	AFSB-1, AFSB-1XS	SLM-660-AI	SLM-1, SLM-1XS	LL14, MBLL14, MLL14
SVS-Vistek				
AFSB-500XS-D-GB	AFSB-1XS	SLM-500XS-D-GB	SLM-1XS	ECO Series
AFSB-523-C-I2000	AFSB-1, AFSB-1XS	SLM-523-C-I2000	SLM-1, SLM-1XS	ECO Series
AFSB-520XS-C-DMIC	AFSB-1XS	SLM-520XS-C-DMIC	SLM-1XS	EVO series
AFSB-560-D-AMT	AFSB-1, AFSB-1XS	SLM-560-D-AMT	SLM-1, SLM-1XS	ECO Series
TPL Vision				
AFSB-550-K-CVIV	AFSB-1, AFSB-1XS	SLM-550-K-CVIV	SLM-1, SLM-1XS	EBAR+ 125, EBAR+ 250
Tri-Tronics				
AFSB-630XS-30	AFSB-1XS	SLM-630XS-30	SLM-1XS	30mm Mount
AFSB-8	AFSB-2, AFSB-290, AFSB-2-2XS	SLM-8	SLM-2, SLM-290, SLM-2-2XS	18mm Barrel Type Sensor
AFSB-SB-18	AFSB-SBH, AFSB-SBH-XS	SLM-SB-18	SLM-SBH, SLM-SBH-XS	18mm Sensor Mount
AFSB-SB-30	AFSB-SBH, AFSB-SBH-XS	SLM-SB-30	SLM-SBH, SLM-SBH-XS	30mm Sensor Mount
Turck				
AFSB-630XS-30	AFSB-1XS	SLM-630XS-30	SLM-1XS	Mount 30mm
AFSB-7	AFSB-2, AFSB-290, AFSB-2-2XS	SLM-7	SLM-2, SLM-290, SLM-2-2XS	30mm Barrel Type Sensor
AFSB-7XS	AFSB-2XS, AFSB-2-2XS, AFSB-2XS90	SLM-7XS	SLM-2XS, SLM-2-2XS, SLM-2XS90	12mm Barrel Type Sensor
AFSB-8	AFSB-2, AFSB-290, AFSB-2-2XS	SLM-8	SLM-2, SLM-290, SLM-2-2XS	18mm Barrel Type Sensor
AFSB-8XS	AFSB-2XS, AFSB-2-2XS, AFSB-2XS90	SLM-8XS	SLM-2XS, SLM-2-2XS, SLM-2XS90	8mm Barrel Type Sensor
AFSB-SB-8	AFSB-SBH, AFSB-SBH-XS	SLM-SB-8	SLM-SBH, SLM-SBH-XS	8mm Sensor Mount
AFSB-SB-12	AFSB-SBH, AFSB-SBH-XS	SLM-SB-12	SLM-SBH, SLM-SBH-XS	12mm Sensor Mount
AFSB-SB-18	AFSB-SBH, AFSB-SBH-XS	SLM-SB-18	SLM-SBH, SLM-SBH-XS	18mm Sensor Mount
AFSB-SB-30	AFSB-SBH, AFSB-SBH-XS	SLM-SB-30	SLM-SBH, SLM-SBH-XS	30mm Sensor Mount
VESA				
AFSB-9	AFSB-1	SLM-9	SLM-1	75-100mm Monitor Mounting Plate
AFSB-9-MOD-HD	AFSB-1HD	---	---	75-100mm Heavy Duty Monitor Mounting Plate
Wenglor				
AFSB-516-S-INSPECTOR	AFSB-1, AFSB-1XS	SLM-516-S-INSPECTOR	SLM-1, SLM-1XS	P1XF001, Weqube
AFSB-540-IFM	AFSB-1, AFSB-1XS	SLM-540-IFM	SLM-1, SLM-1XS	P1XF001 Weqube

