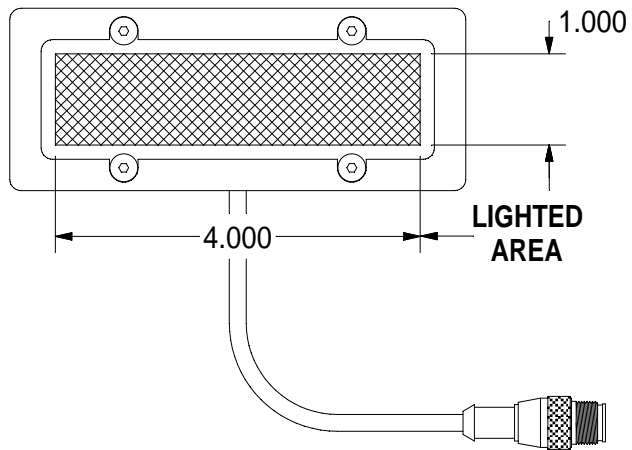
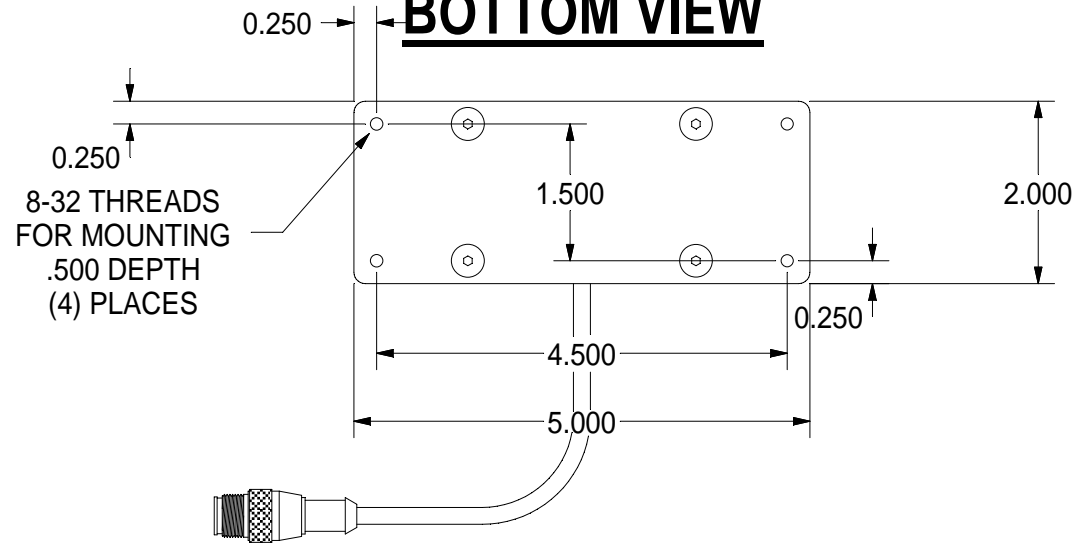


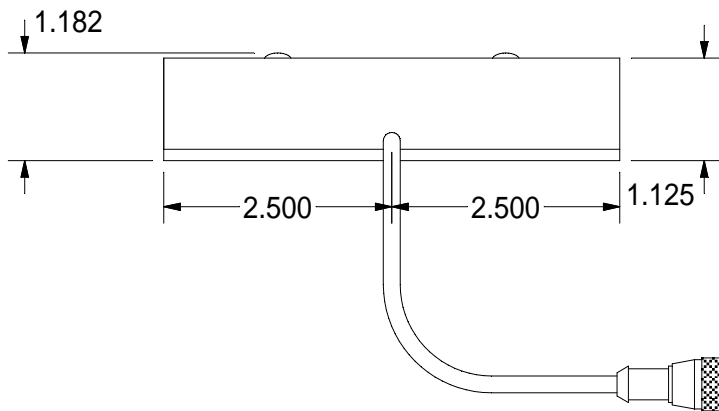
## TOP VIEW



## BOTTOM VIEW



## SIDE VIEW



## LA14 MOUNT SPECIFICATIONS

### STANDARD EUROFAST 4-PIN (MALE) CONNECTOR

PIN 1 (+24VDC / BROWN)

PIN 3 (GROUND / BLUE)

PIN 4 (+24VDC / BLACK) STROBE/CONT.