

4

3

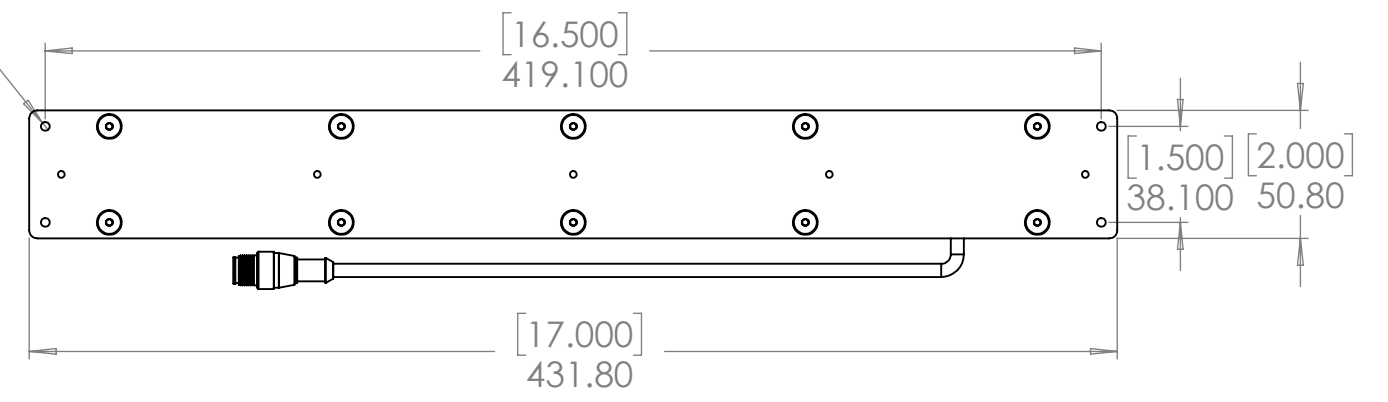
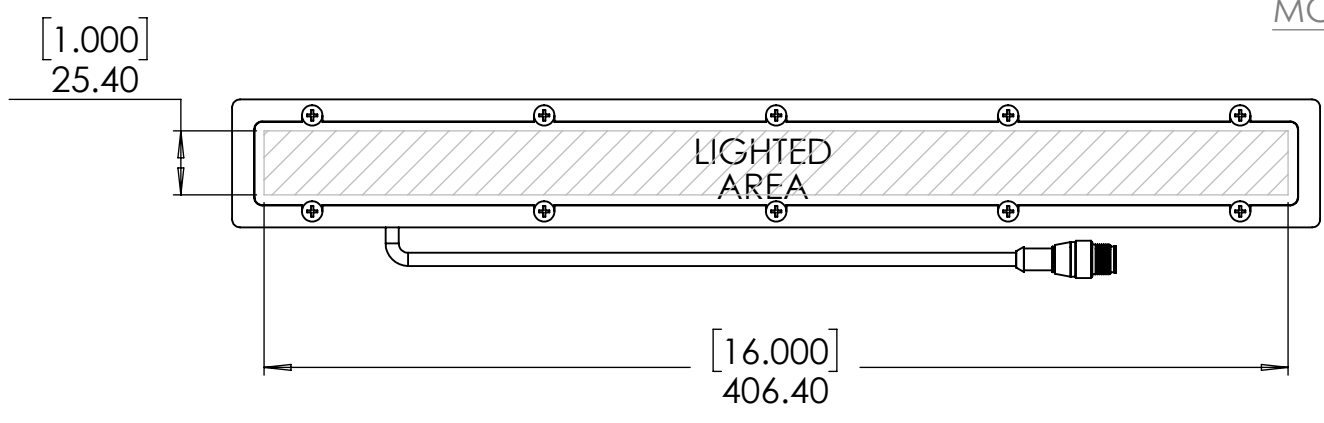
2

1

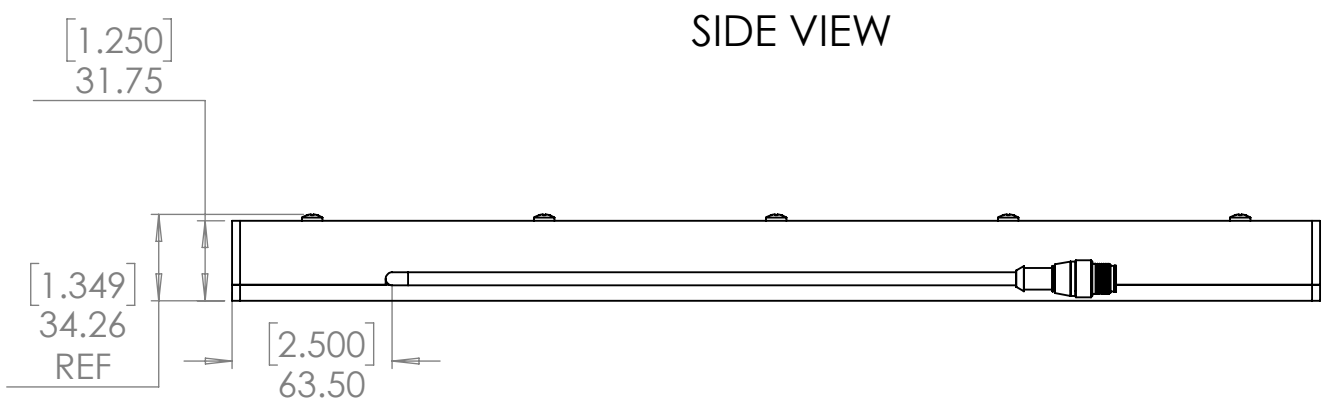
TOP VIEW

BOTTOM VIEW

4 x 8-32 UNC
▽ 12.7 [0.5]
MOUNTING HOLES



SIDE VIEW



PROPRIETARY AND CONFIDENTIAL
 THE INFORMATION CONTAINED IN THIS DRAWING IS THE SOLE PROPERTY OF SPECTRUM ILLUMINATION INC. ANY REPRODUCTION IN PART OR AS A WHOLE WITHOUT THE WRITTEN PERMISSION OF SPECTRUM ILLUMINATION INC IS PROHIBITED.

UNLESS OTHERWISE SPECIFIED:		NAME	DATE
DIMENSIONS ARE IN mm [INCH]		DRAWN	DJH 05/04/21
TOLERANCES:		CHECKED	-
ANGULAR: MACH ± BEND ±		ENG APPR.	
ONE PLACE DECIMAL ±1.0		MFG APPR.	
TWO PLACE DECIMAL ±0.5		Q.A.	
THREE PLACE DECIMAL ±0.25		COMMENTS:	
INTERPRET GEOMETRIC TOLERANCING PER:			
MATERIAL	N/A		
FINISH	N/A		
DO NOT SCALE DRAWING			

SPECTRUM ILLUMINATION 5114 INDUSTRIAL PARK RD. MONTAGUE, MI 49437		
SIZE	DWG. NO.	REV
B	LA116-XXX	A
SCALE: 1:3	WEIGHT:	SHEET 1 OF 1

4

3

2

1

B

B

A

A