

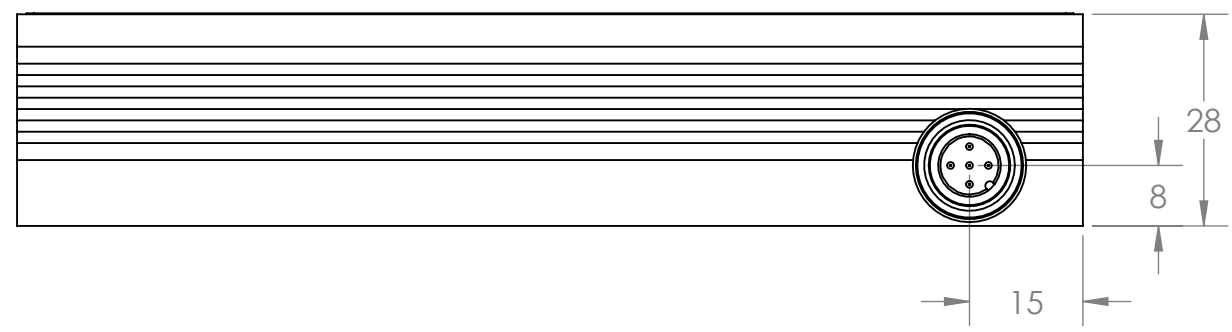
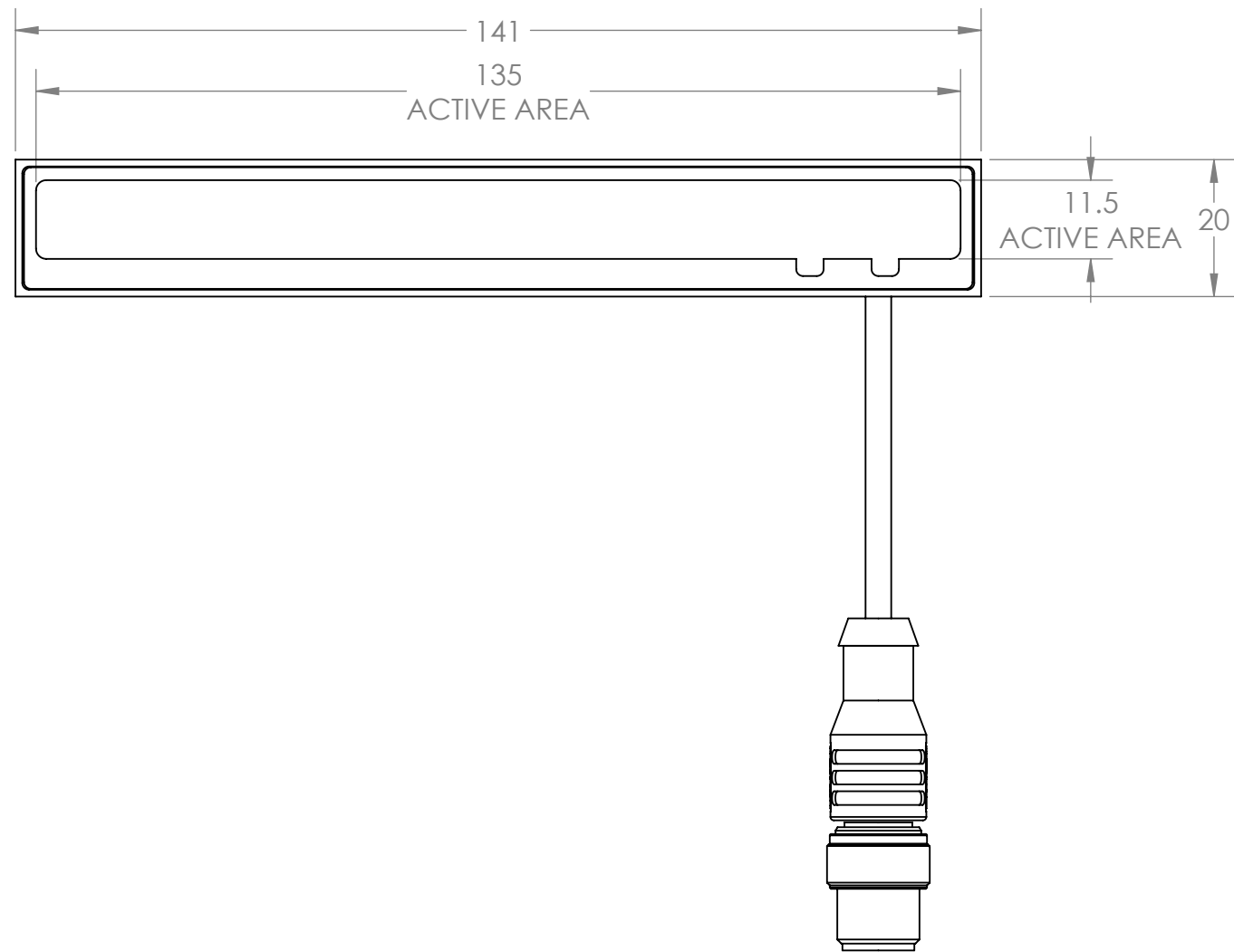
4 3 2 1

B

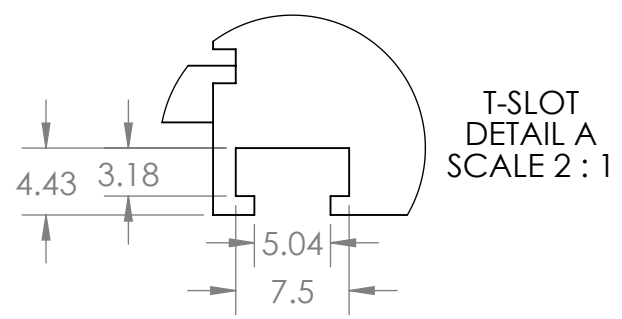
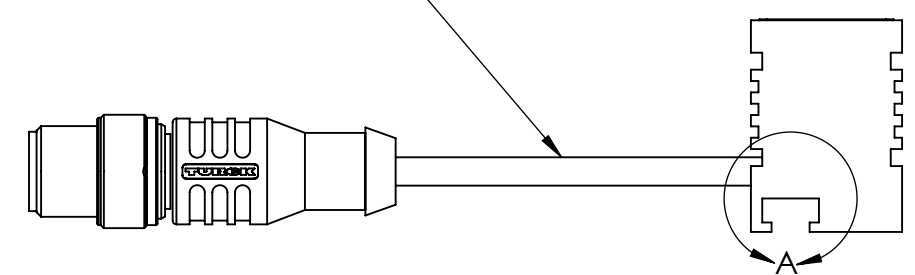
A

B

A



MALE 5 PIN M12 PIGTAIL
APPROX 6IN LONG



PROPRIETARY AND CONFIDENTIAL
THE INFORMATION CONTAINED IN THIS DRAWING IS THE SOLE PROPERTY OF SmartVisionLights. ANY REPRODUCTION IN PART OR AS A WHOLE WITHOUT THE WRITTEN PERMISSION OF SmartVisionLights IS PROHIBITED.

UNLESS OTHERWISE SPECIFIED:		NAME	DATE
DIMENSIONS ARE IN MM		DRAWN	NC 12/6/2019
TOLERANCES:		CHECKED	MP 12/6/2019
FRACTIONAL		ENG APPR.	MP 12/6/2019
ANGULAR: BEND		MFG APPR.	MP 12/6/2019
TWO PLACE DECIMAL		Q.A.	
THREE PLACE DECIMAL		COMMENTS:	
INTERPRET GEOMETRIC TOLERANCING PER:		UNITS ARE IN MILLIMETERS	
MATERIAL			
FINISH			
DO NOT SCALE DRAWING			

			SVL PART NO.	
			LM150	
SIZE	ENG DWG NO.	REV		
B	LM150	1		
SCALE: 1:1	WEIGHT:	SHEET 1 OF 1		

4 3 2 1