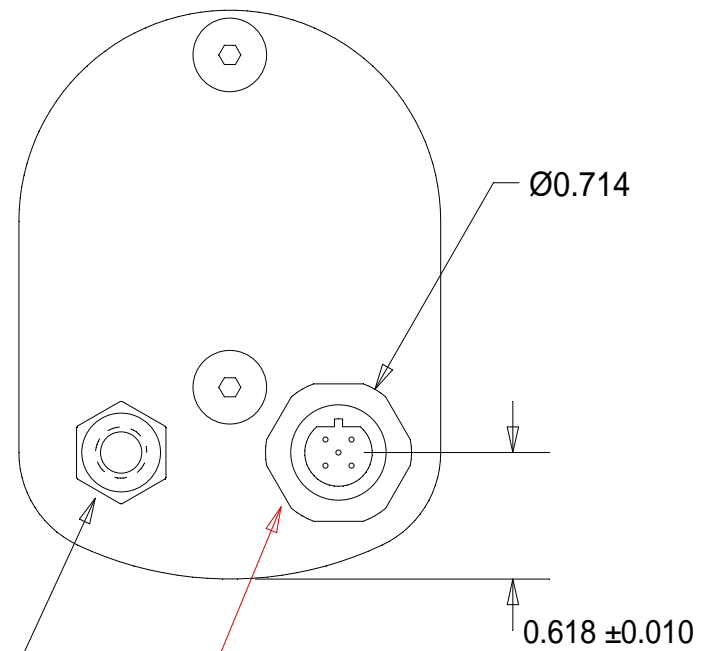
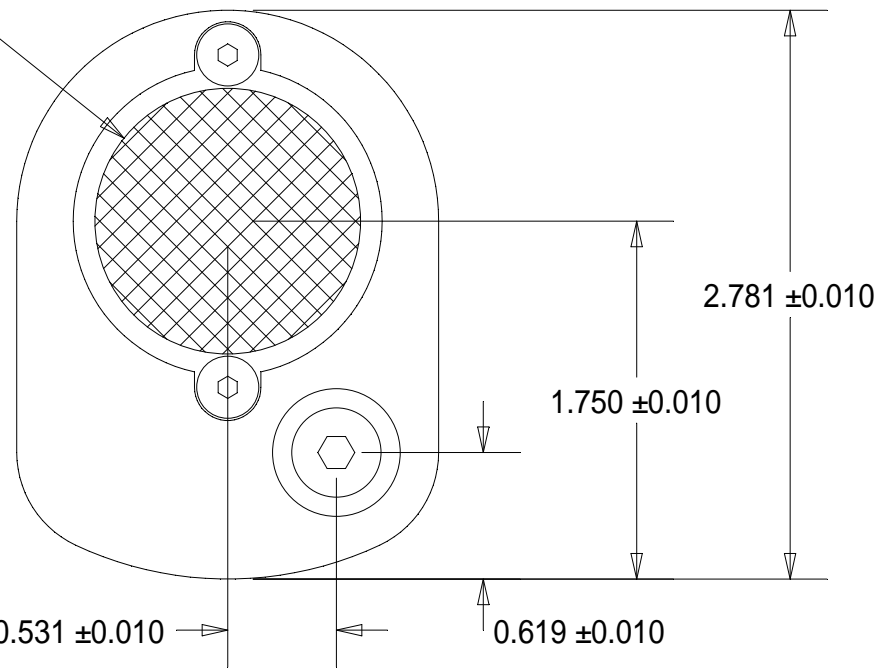


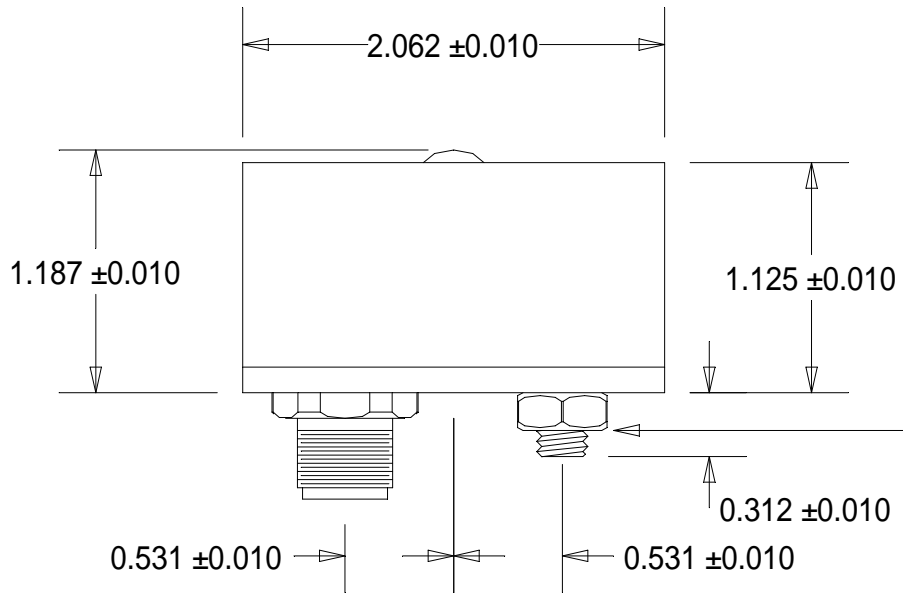
Ø1.300 ±0.010
LIGHTED AREA



**5-PIN REVERSE KEYS
EUROFAST CONNECTOR**

**1/4-20 STUD
FOR MOUNTING
NUT INCLUDED**

WARNING!!!
DO NOT CONNECT LIGHT
TO 24VDC. USE ONLY
SPECTRUM ILLUMINATION
LED DRIVER MODULE
(LDM350/1) ADAPTER
FAILURE TO DO SO WILL
RESULT IN PREMATURE
LED BURNOUT AND WILL
VOID THE WARRANTY.



SP1.25 MONSTER SPOT MOUNT SPECIFICATIONS