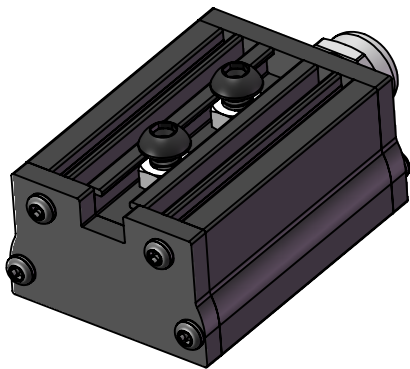
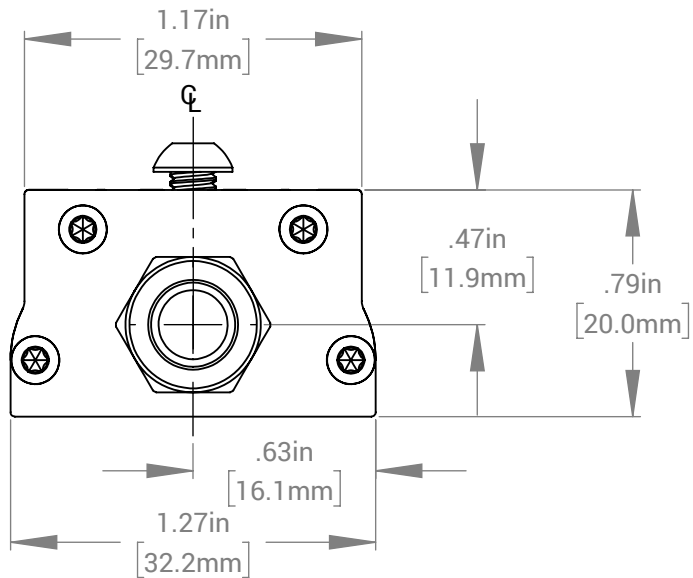
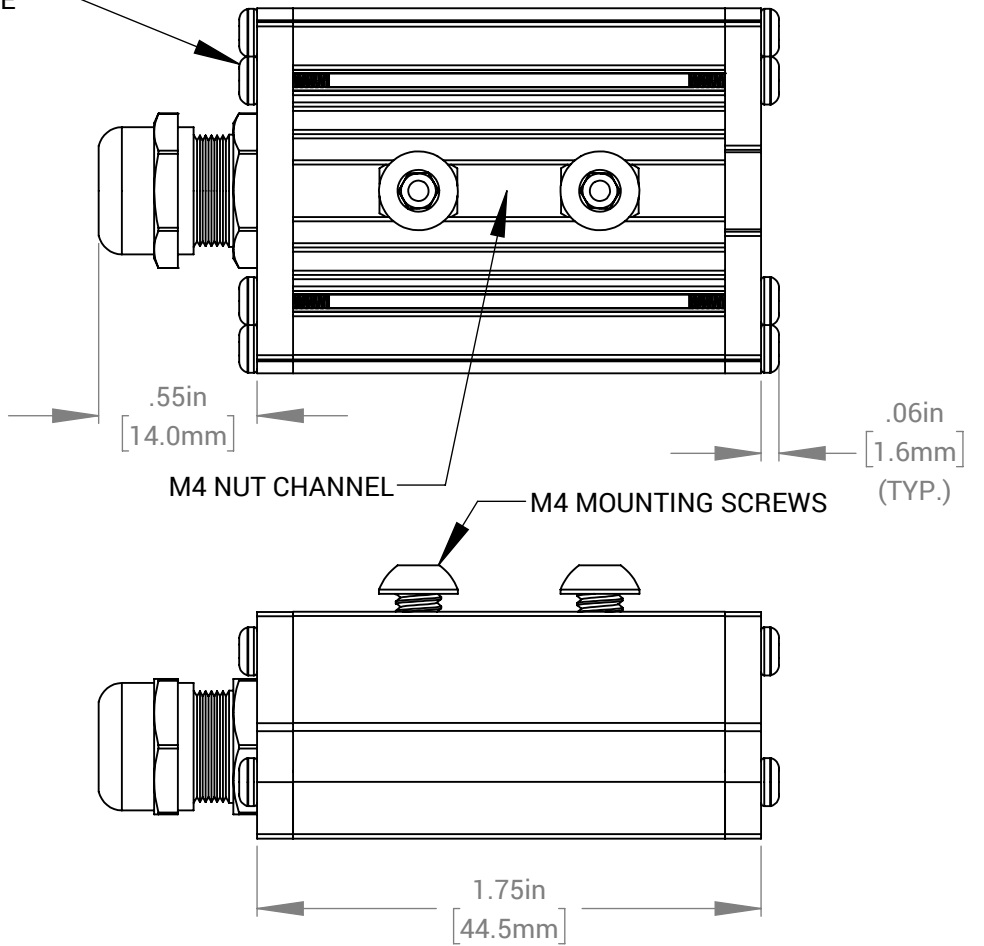


REVISIONS			
REV.	DESCRIPTION	DATE	DCN NO
-	FOR QUOTING PURPOSES ONLY		

CABLE ENTRY SIDE



FOR REFERENCE ONLY

PROPRIETARY AND CONFIDENTIAL
 THESE DRAWINGS AND SPECIFICATIONS ARE THE EXCLUSIVE PROPERTIES OF ADVANCED ILLUMINATION INCORPORATED ISSUED IN STRICT CONFIDENCE AND SHALL NOT, WITHOUT THE PRIOR WRITTEN PERMISSION OF ADVANCED ILLUMINATION INC BE REPRODUCED, COPIED OR USED FOR ANY PURPOSE WHATSOEVER EXCEPT THE MANUFACTURE OF ARTICLES FOR ADVANCED ILLUMINATION INC

CUT USING:	UNLESS OTHERWISE SPECIFIED:	DATE	NAME
	SURFACE SHOULD BE FREE OF SCRATCHES, BURRS, AND DENTS	30-AUG-18	T.MILLS
	DIMENSIONS ARE IN: INCHES	--	--
	<u>TOLERANCES</u>	--	--
	FRACTIONAL: 1/16		
	ANGULAR: MACH ± 1 BEND ± 1		
	TWO PLACE DECIMAL ± .010		
	THREE PLACE DECIMAL ± .005		
NEXT ASSY	USED ON		
	MAKE FROM		
APPLICATION			

UNIT WEIGHT: .093 lbs

ADVANCED ILLUMINATION
 440 STATE GARAGE ROAD,
 ROCHESTER, VERMONT 05767

TITLE: DRAWING, INSTALLATION, SL244 (NONSEALED)		
SIZE A	DWG. NO. SL244 (NONSEALED)	REV -
SCALE: NTS/C CODE: -		SHEET 1 OF 1