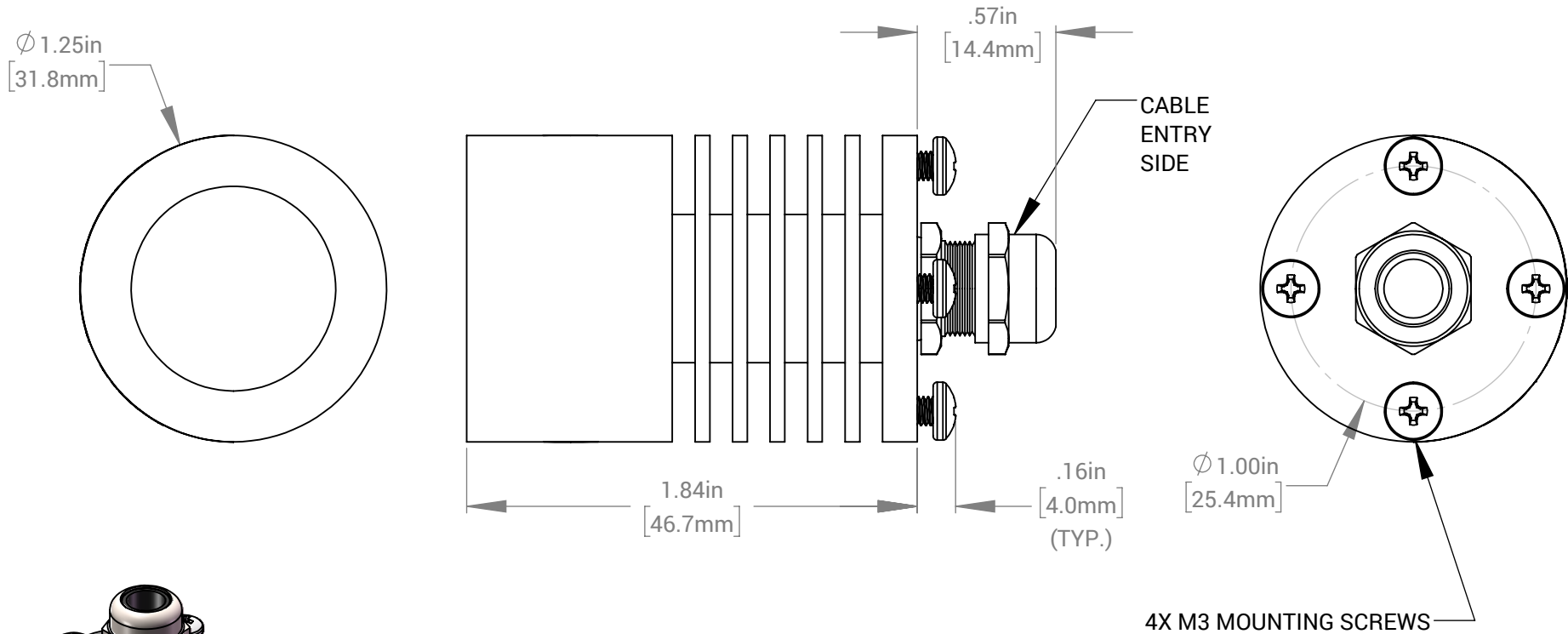
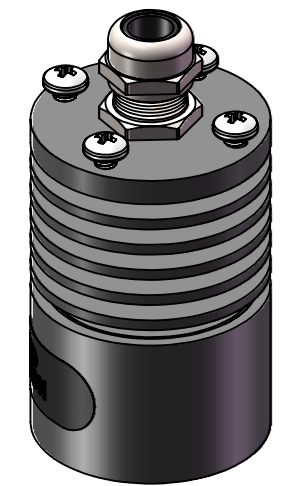


REVISIONS			
REV.	DESCRIPTION	DATE	DCN NO
-	FOR QUOTING PURPOSES ONLY		



4X M3 MOUNTING SCREWS



FOR REFERENCE ONLY

PROPRIETARY AND CONFIDENTIAL
 THESE DRAWINGS AND SPECIFICATIONS ARE THE EXCLUSIVE PROPERTIES OF ADVANCED ILLUMINATION INCORPORATED ISSUED IN STRICT CONFIDENCE AND SHALL NOT, WITHOUT THE PRIOR WRITTEN PERMISSION OF ADVANCED ILLUMINATION INC BE REPRODUCED, COPIED OR USED FOR ANY PURPOSE WHATSOEVER EXCEPT THE MANUFACTURE OF ARTICLES FOR ADVANCED ILLUMINATION INC

CUT USING:	UNLESS OTHERWISE SPECIFIED:	DRAWN	DATE	NAME
	SURFACE SHOULD BE FREE OF SCRATCHES, BURRS, AND DENTS	Ai	26-FEB-21	
	DIMENSIONS ARE IN: INCHES	CHECKED	--	--
	<u>TOLERANCES</u>	APPROVED	--	--
	FRACTIONAL ± 1/16	MATERIAL		
	ANGULAR: MACH ± 1 BEND ± 1			
	TWO PLACE DECIMAL ± .010	FINISH		
	THREE PLACE DECIMAL ± .005			
NEXT ASSY	USED ON			
APPLICATION				

UNIT WEIGHT: 0.18 lbs

ADVANCED ILLUMINATION
 440 STATE GARAGE ROAD,
 ROCHESTER, VERMONT 05767

TITLE:
 DRAWING, INSTALLATION, SL164

SIZE	DWG. NO.	REV
A	SL164	-

SCALE: NTS C CODE: - SHEET 1 OF 1