

4

3

2

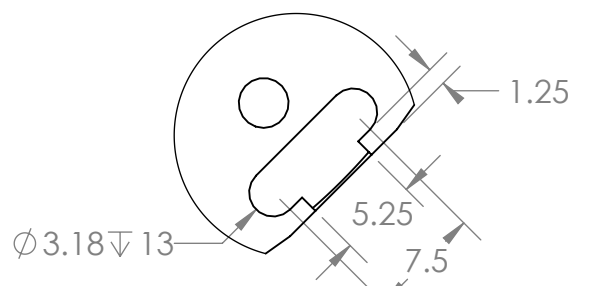
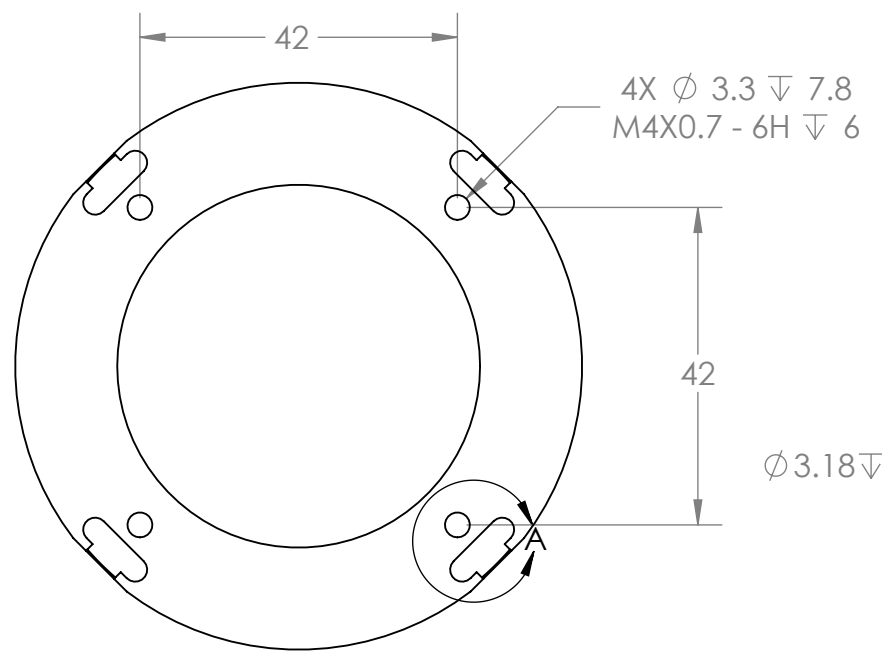
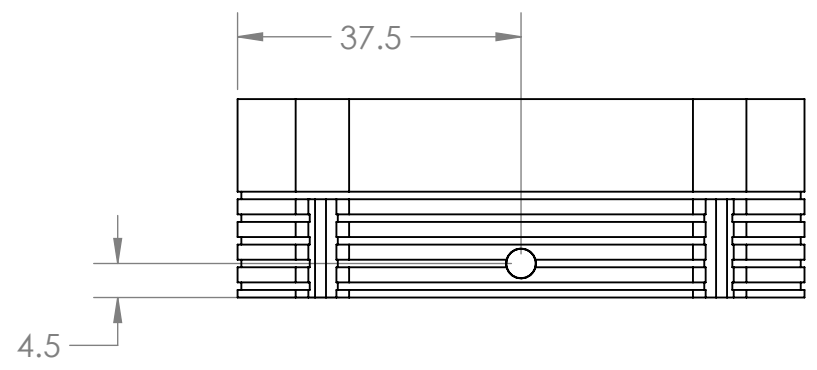
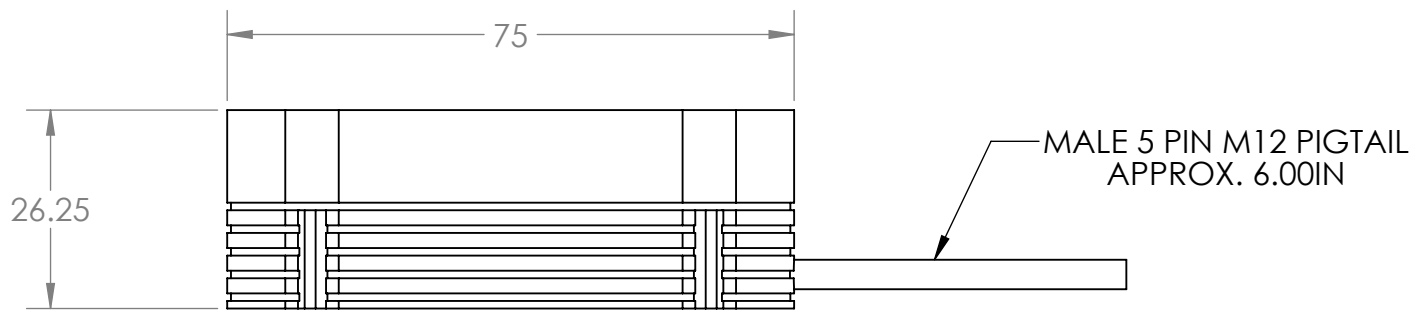
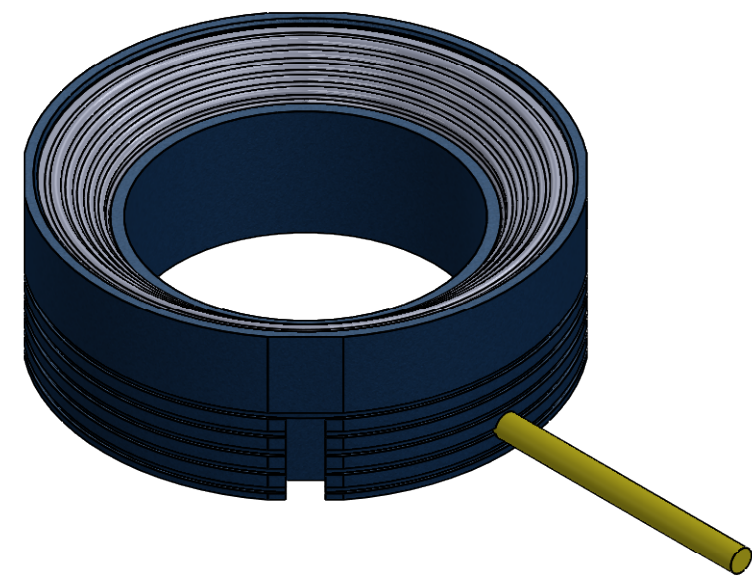
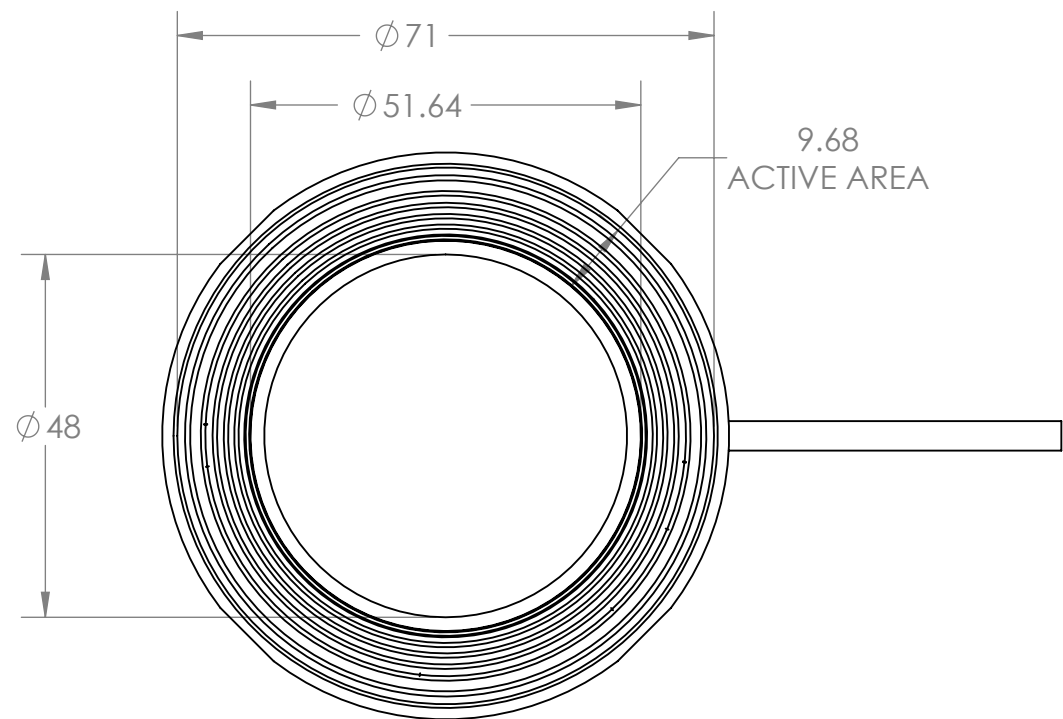
1

B

B

A

A



PROPRIETARY AND CONFIDENTIAL
 THE INFORMATION CONTAINED IN THIS DRAWING IS THE SOLE PROPERTY OF SmartVisionLights. ANY REPRODUCTION IN PART OR AS A WHOLE WITHOUT THE WRITTEN PERMISSION OF SmartVisionLights IS PROHIBITED.

UNLESS OTHERWISE SPECIFIED:		NAME	DATE
DIMENSIONS ARE IN MM	DRAWN	NC	4/27/2018
TOLERANCES:	CHECKED	MP	4/27/2018
FRACTIONAL	ENG APPR.	MP	4/27/2018
ANGULAR: BEND	MFG APPR.	MP	4/27/2018
TWO PLACE DECIMAL	Q.A.		
THREE PLACE DECIMAL	COMMENTS:	UNITS ARE IN MILLIMETERS	
INTERPRET GEOMETRIC TOLERANCING PER:	MATERIAL		
FINISH			
DO NOT SCALE DRAWING			



SVL PART NO.		
RMX75		
SIZE	ENG DWG NO.	REV
B	RMX75	1
SCALE: 1:1	WEIGHT:	SHEET 1 OF 1