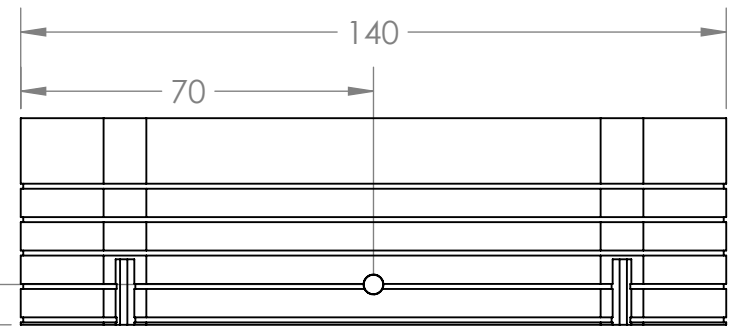
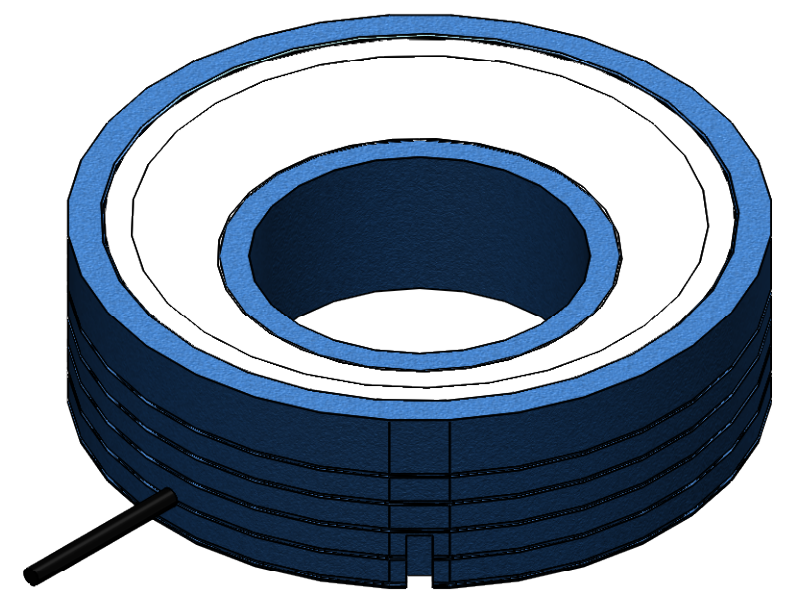
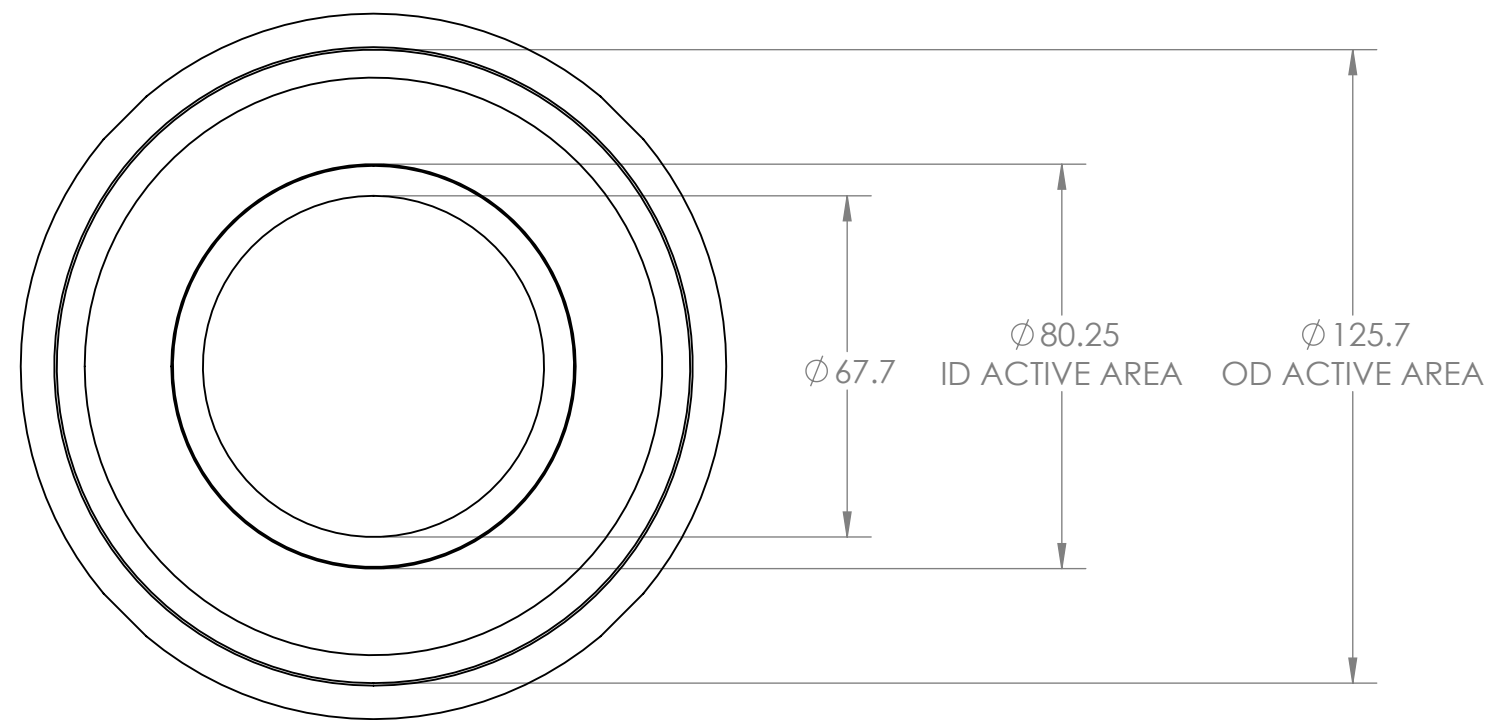


4

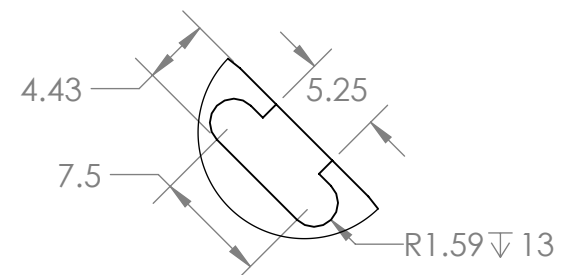
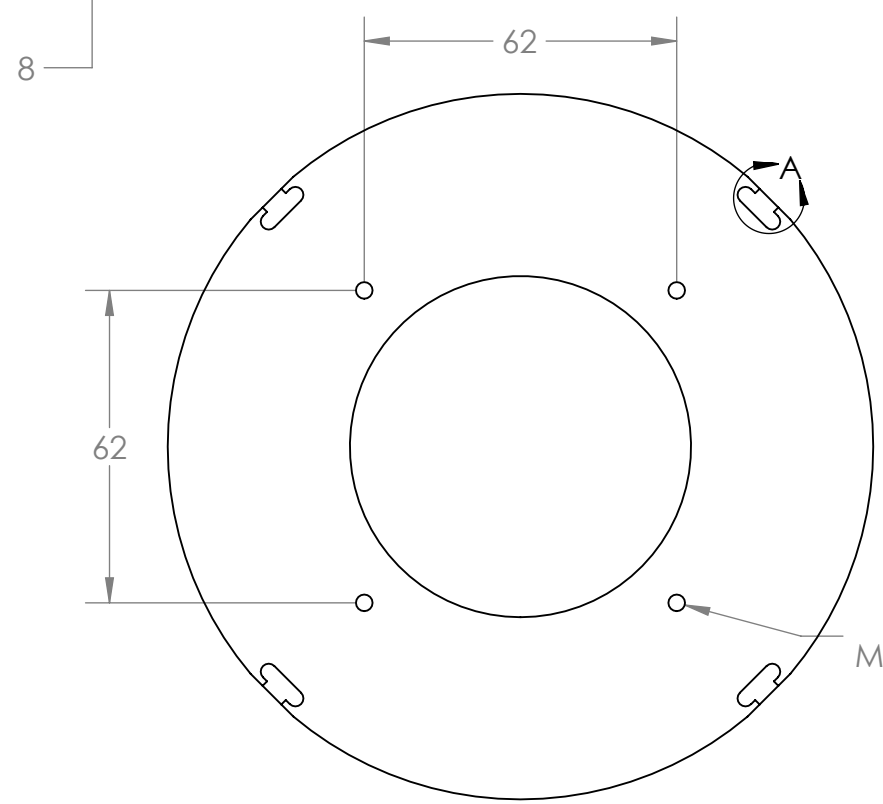
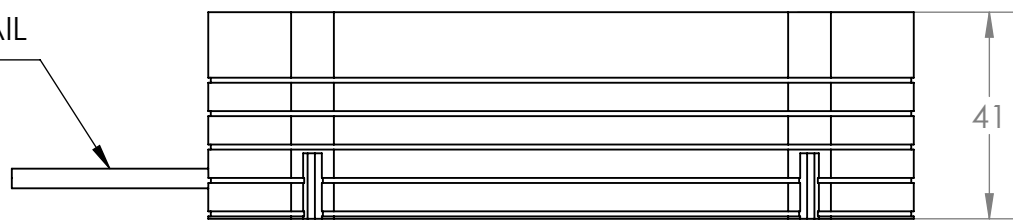
3

2

1



MALE M12 PIG TAIL  
APPROX. 12IN



UNLESS OTHERWISE SPECIFIED:		NAME	DATE
DIMENSIONS ARE IN MM		DRAWN	NC 4/5/2019
TOLERANCES:		CHECKED	MP 4/5/2019
FRACTIONAL		ENG APPR.	MP 4/5/2019
ANGULAR: BEND		MFG APPR.	MP 4/5/2019
TWO PLACE DECIMAL		Q.A.	
THREE PLACE DECIMAL		COMMENTS:	
INTERPRET GEOMETRIC TOLERANCING PER:		UNITS ARE IN MILLIMETERS	
MATERIAL			
FINISH			
DO NOT SCALE DRAWING			

**PROPRIETARY AND CONFIDENTIAL**  
THE INFORMATION CONTAINED IN THIS DRAWING IS THE SOLE PROPERTY OF SmartVisionLights. ANY REPRODUCTION IN PART OR AS A WHOLE WITHOUT THE WRITTEN PERMISSION OF SmartVisionLights IS PROHIBITED.



SVL PART NO.		
<b>RMX140 RGBW</b>		
SIZE	ENG DWG NO.	REV
<b>B</b>	RMX140	<b>1</b>
SCALE: 2:3	WEIGHT:	SHEET 1 OF 1

4

3

2

1

B

B

A

A