

4

3

2

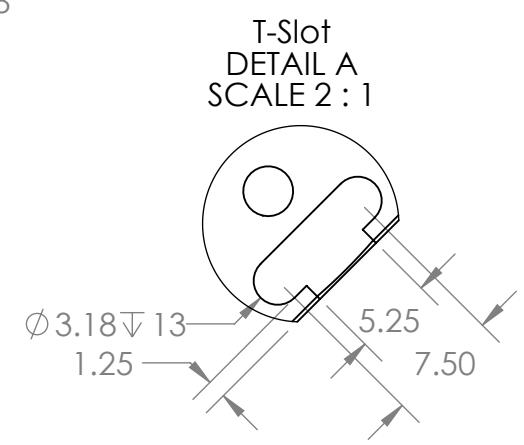
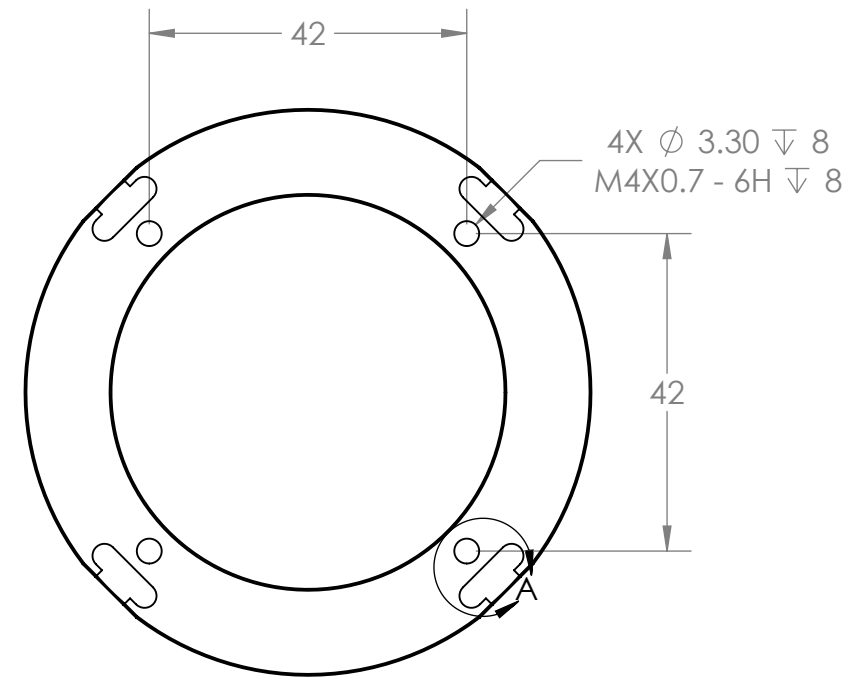
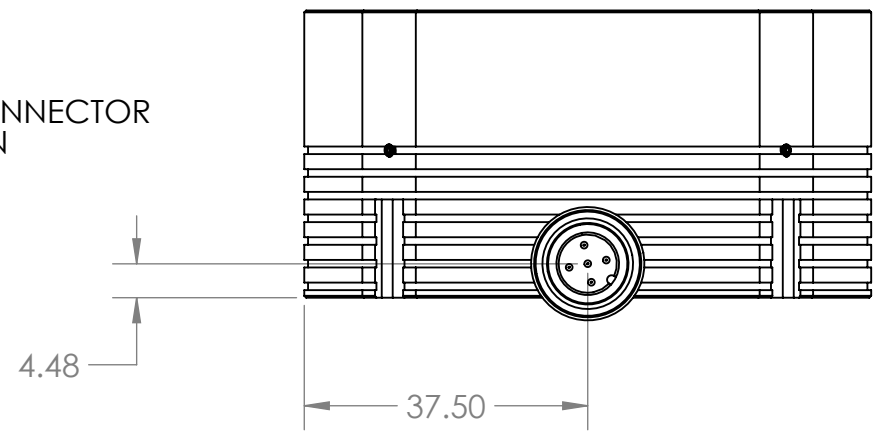
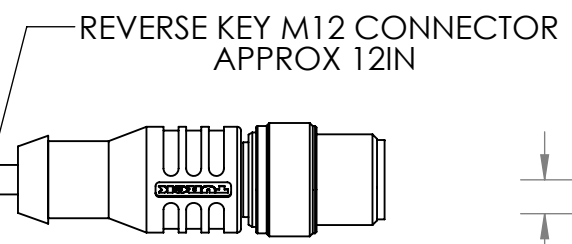
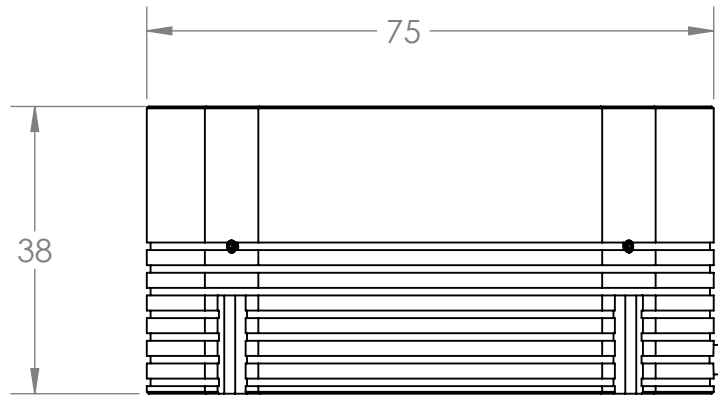
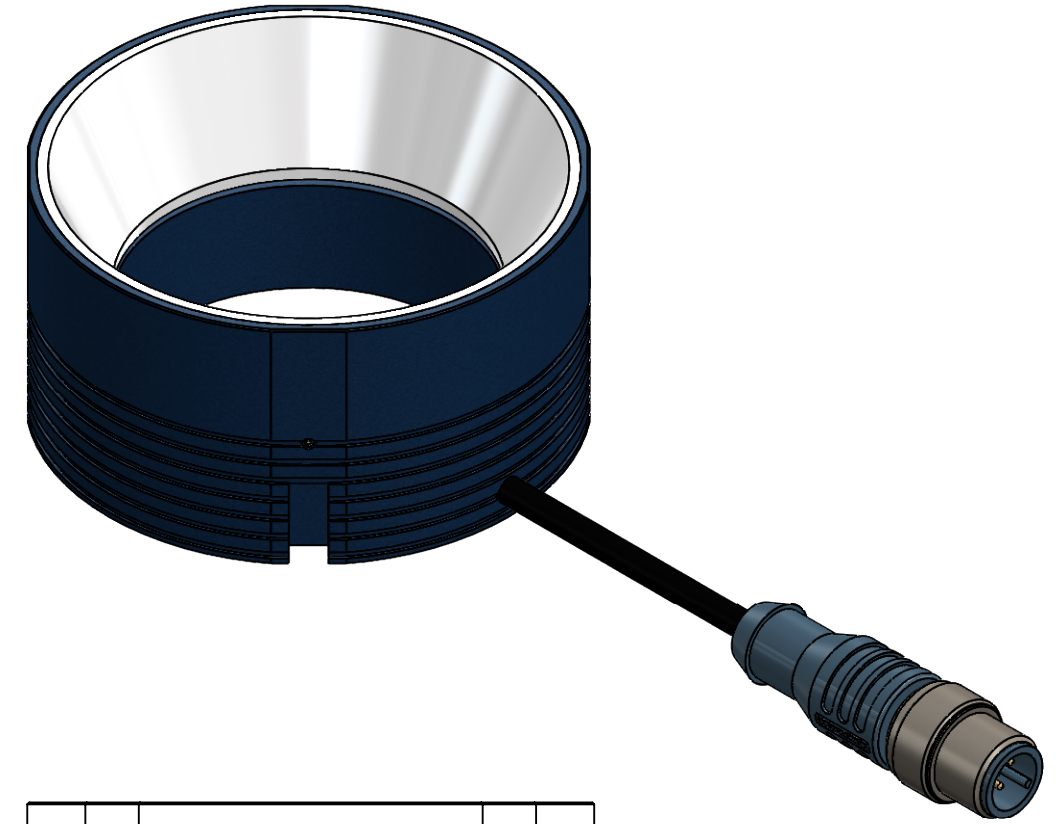
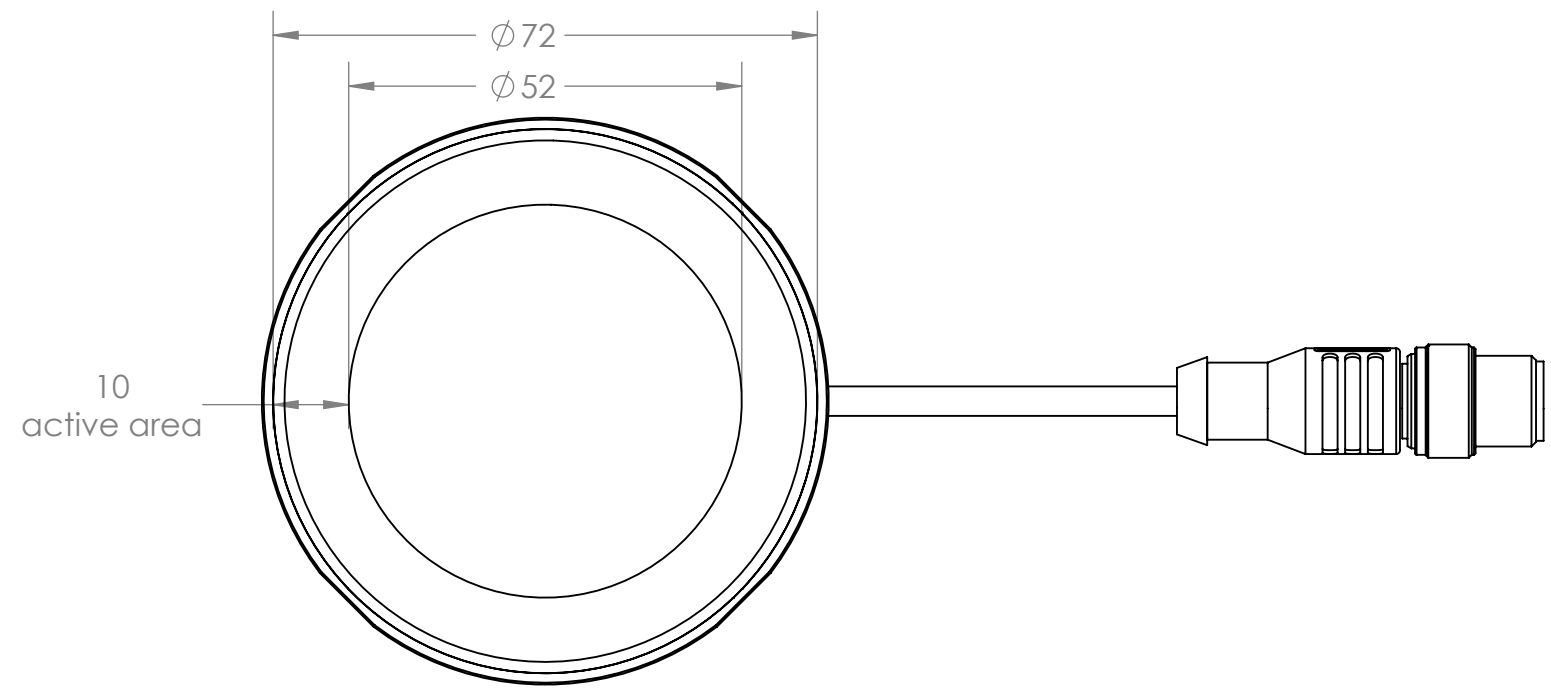
1

B

B

A

A



PROPRIETARY AND CONFIDENTIAL
THE INFORMATION CONTAINED IN THIS DRAWING IS THE SOLE PROPERTY OF SmartVisionLights. ANY REPRODUCTION IN PART OR AS A WHOLE WITHOUT THE WRITTEN PERMISSION OF SmartVisionLights IS PROHIBITED.

UNLESS OTHERWISE SPECIFIED:		NAME	DATE
DIMENSIONS ARE IN MM		DRAWN	NC 8/24/2018
TOLERANCES:		CHECKED	MP 8/24/2018
FRACTIONAL \pm		ENG APPR.	MP 8/24/2018
ANGULAR: BEND \pm		MFG APPR.	MP 8/24/2018
TWO PLACE DECIMAL \pm		Q.A.	
THREE PLACE DECIMAL \pm		COMMENTS:	
INTERPRET GEOMETRIC TOLERANCING PER:		UNITS ARE IN MILLIMETERS	
MATERIAL			
FINISH			
DO NOT SCALE DRAWING			

		TITLE:	
		RM75-4Z	
SIZE	DWG. NO.	REV	
B	RM-75	1	
SCALE: 1:1	WEIGHT:	SHEET 1 OF 1	