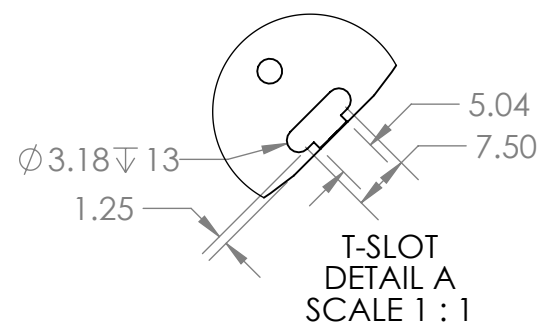
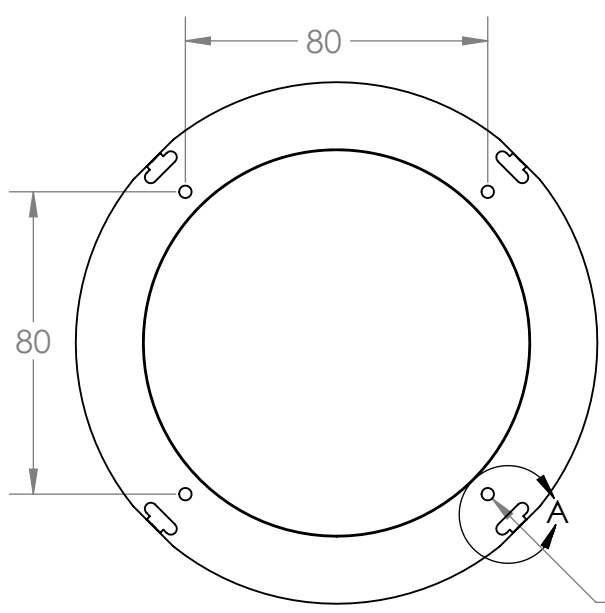
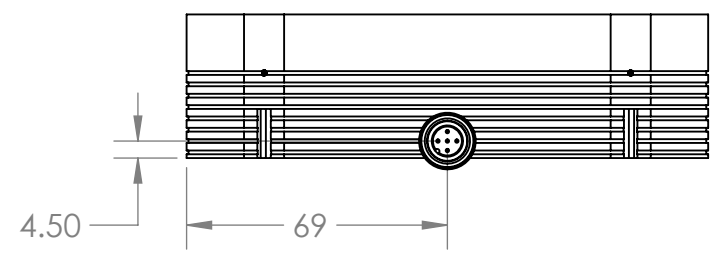
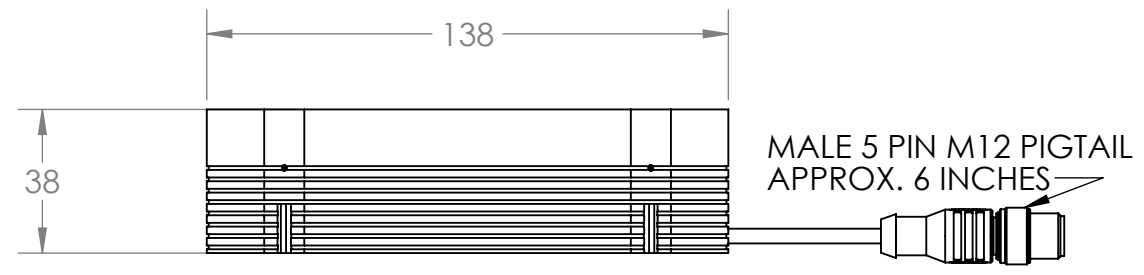
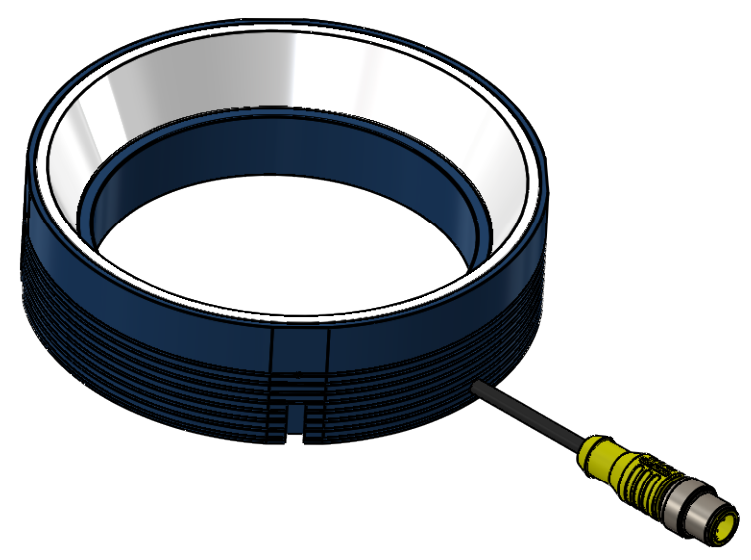
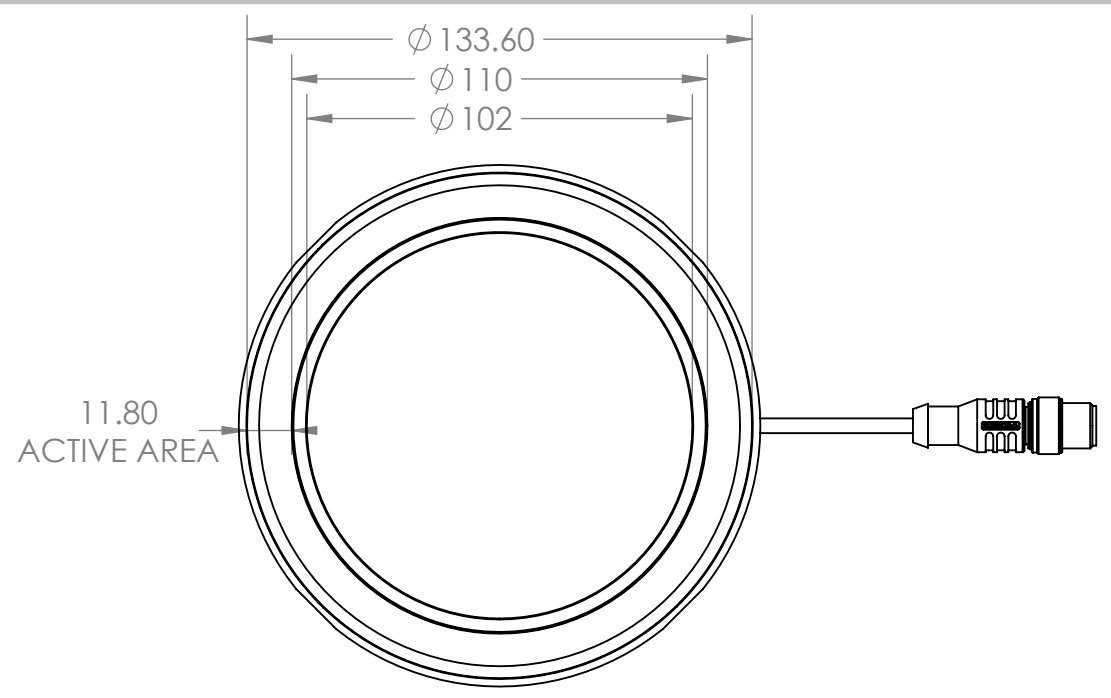


4

3

2

1



4X $\phi 3.30 \nabla 7.80$
 M4X0.7 - 6H $\nabla 6$

PROPRIETARY AND CONFIDENTIAL
 THE INFORMATION CONTAINED IN THIS DRAWING IS THE SOLE PROPERTY OF SmartVisionLights. ANY REPRODUCTION IN PART OR AS A WHOLE WITHOUT THE WRITTEN PERMISSION OF SmartVisionLights IS PROHIBITED.

UNLESS OTHERWISE SPECIFIED:		NAME	DATE
DIMENSIONS ARE IN MM		DRAWN	NC 8/8/2019
TOLERANCES:		CHECKED	MP 8/8/2019
FRACTIONAL \pm		ENG APPR.	MP 8/8/2019
ANGULAR: BEND \pm		MFG APPR.	MP 8/8/2019
TWO PLACE DECIMAL \pm		Q.A.	
THREE PLACE DECIMAL \pm		COMMENTS:	
INTERPRET GEOMETRIC TOLERANCING PER:	UNITS ARE IN MILLIMETERS		
MATERIAL			
FINISH			
DO NOT SCALE DRAWING			

			TITLE:
			RM140
SIZE	DWG. NO.	REV	
B	RM140	1	
SCALE: 1:2	WEIGHT:	SHEET 1 OF 1	

4

3

2

1

B

B

A

A