

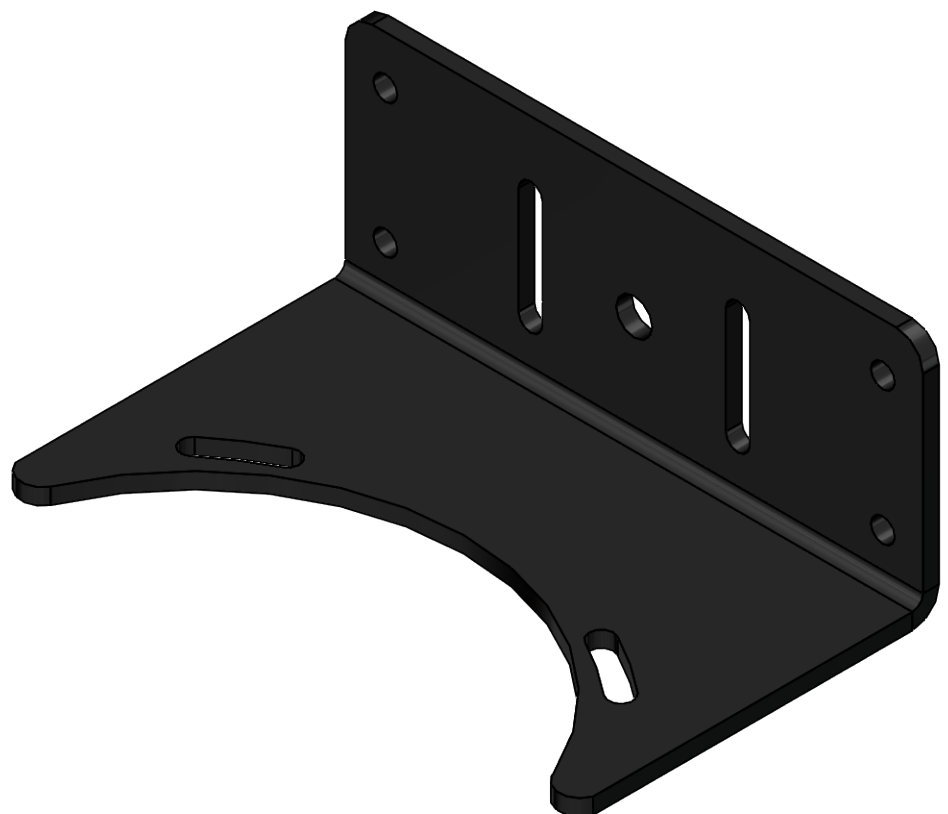
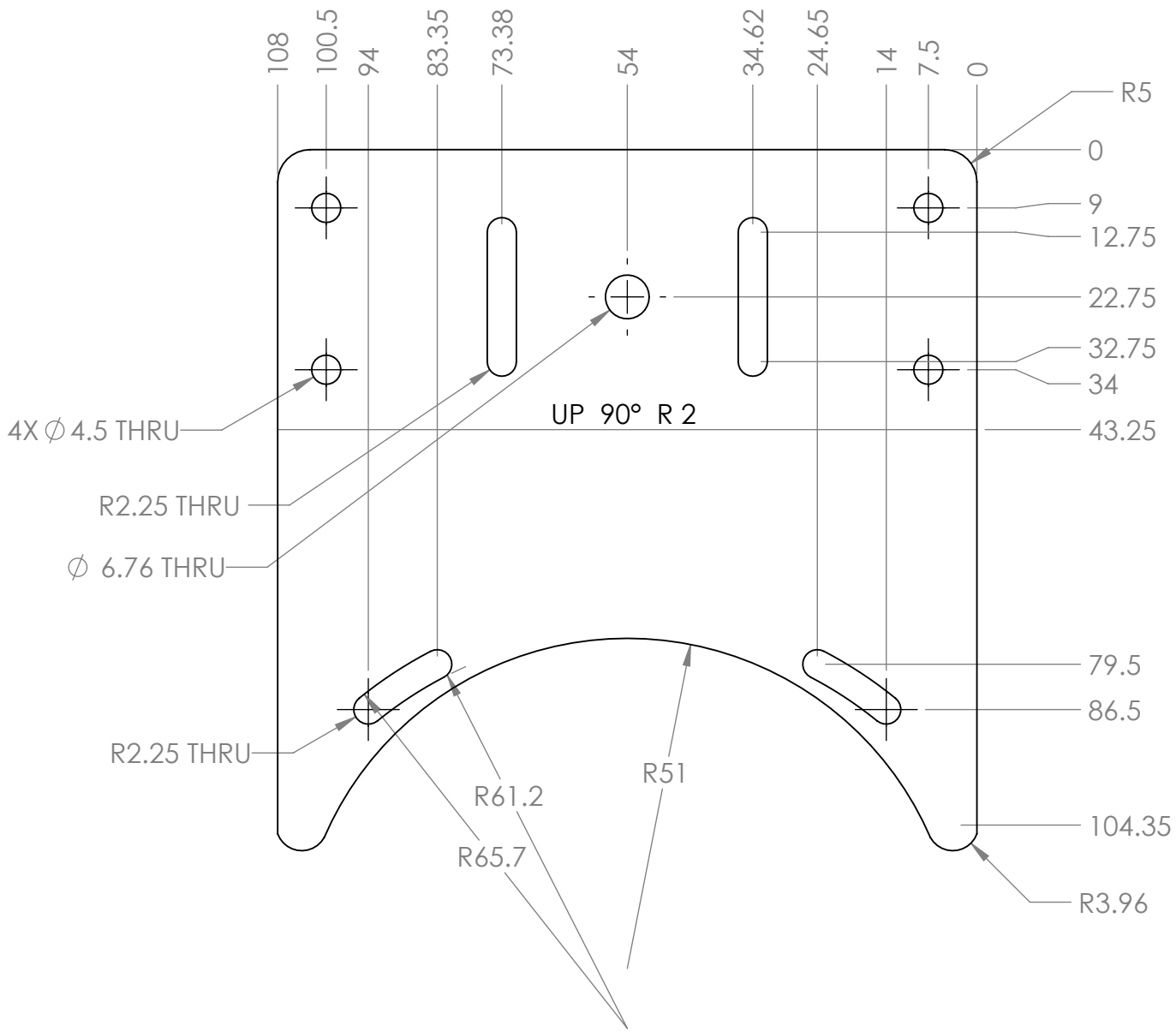
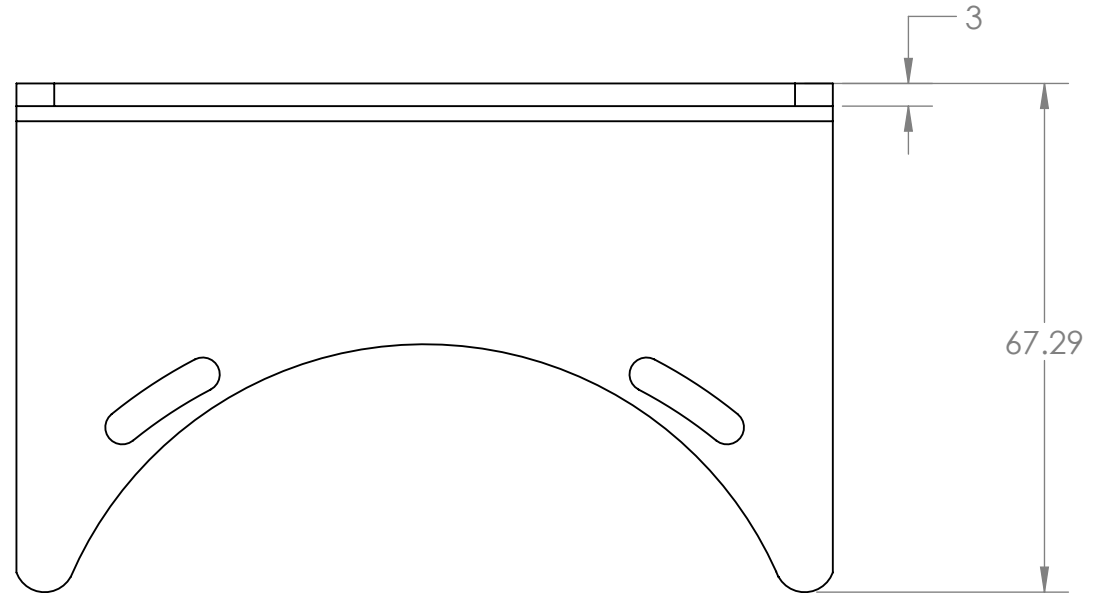
4

3

2

1

REVISIONS				
DRAWN BY	REV.	DESCRIPTION	DATE	APPROVED
NC	1	INITIAL RELEASE	9/18/2018	MP
NC	2	CHANGED MATERIAL TO 5052	9/21/2018	



PROPRIETARY AND CONFIDENTIAL
 THE INFORMATION CONTAINED IN THIS DRAWING IS THE SOLE PROPERTY OF SmartVisionLights. ANY REPRODUCTION IN PART OR AS A WHOLE WITHOUT THE WRITTEN PERMISSION OF SmartVisionLights IS PROHIBITED.

UNLESS OTHERWISE SPECIFIED:
 DIMENSIONS ARE IN MM
 TOLERANCES:
 FRACTIONAL ±
 ANGULAR: BEND ± 3°
 TWO PLACE DECIMAL ± .13
 THREE PLACE DECIMAL ± .127
 INTERPRET GEOMETRIC TOLERANCING PER:
 MATERIAL
10 GA 5052 ALLOY
 FINISH
ANODIZED BLACK
 DO NOT SCALE DRAWING

	NAME	DATE
DRAWN	NC	9/21/2018
CHECKED	MP	9/21/2018
ENG APPR.	MP	9/21/2018
MFG APPR.	MP	9/21/2018
Q.A.		

COMMENTS:
UNITS ARE IN MILLIMETERS

smart vision lights

SVL PART NO.
BKT0030

SIZE B	ENG DWG NO. RM140 Adjustable Bracket_R2	REV 2
SCALE: 1:1	WEIGHT:	SHEET 1 OF 1

4

3

2

1

B

B

A

A