

4

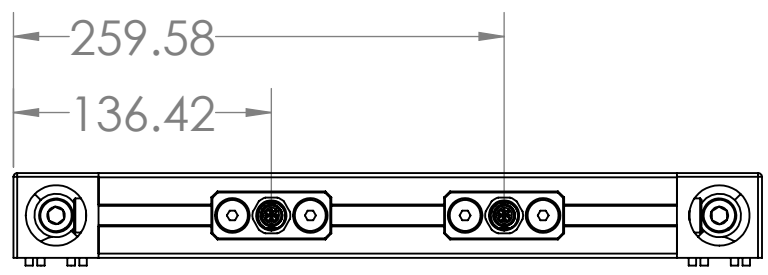
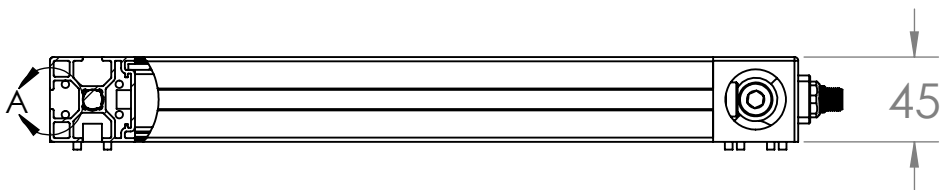
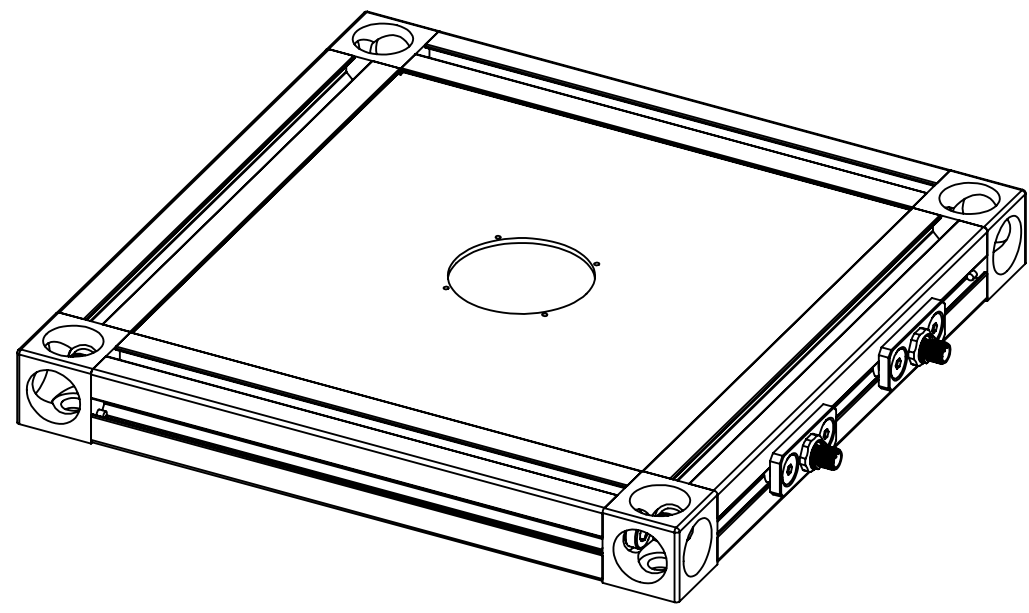
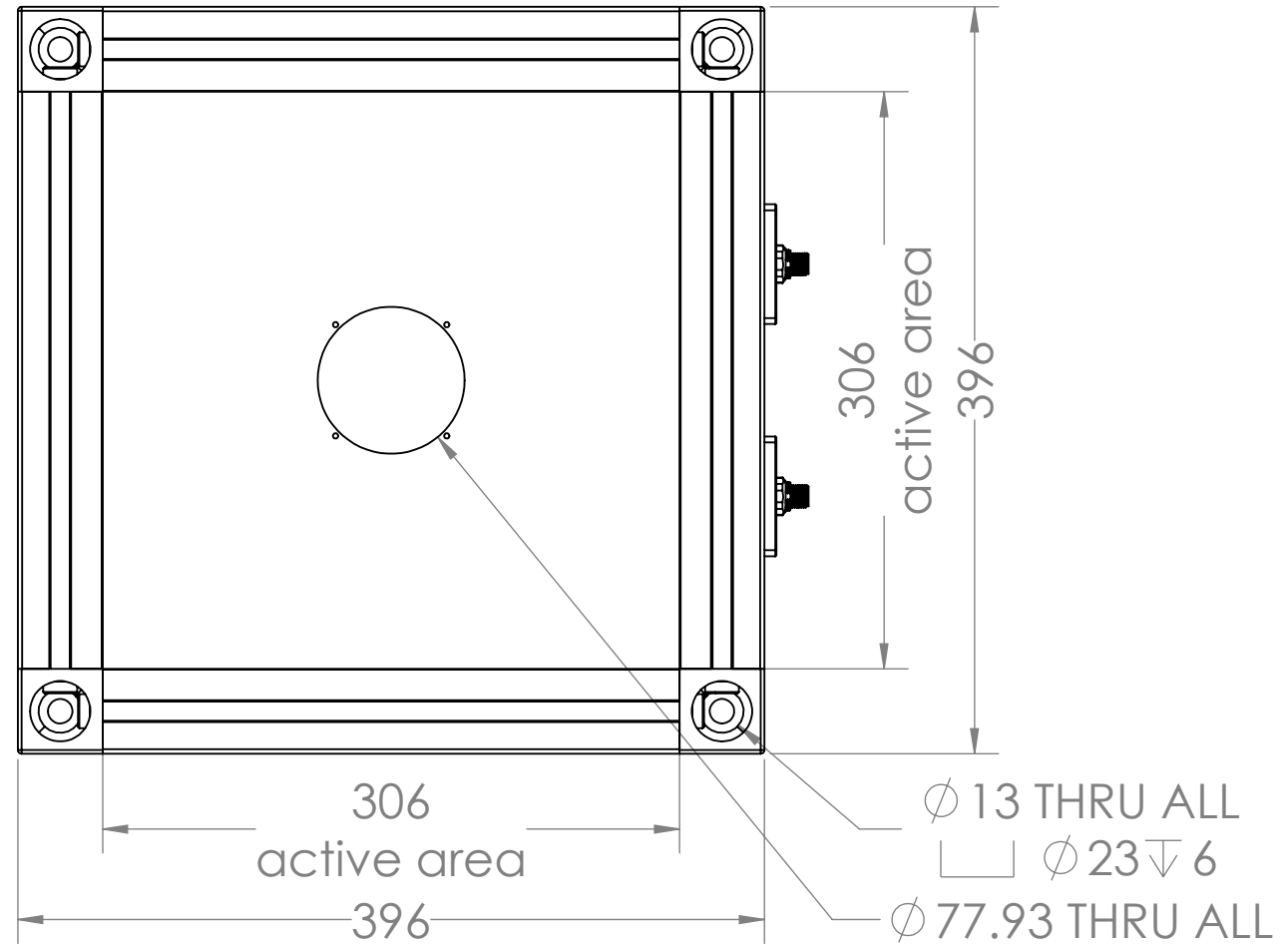
3

2

1

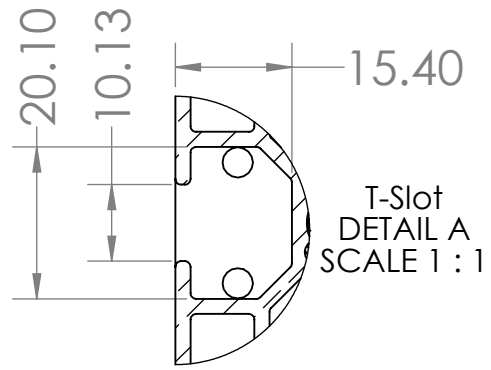
B

B



A

A



UNLESS OTHERWISE SPECIFIED:

DIMENSIONS ARE IN MM
TOLERANCES:
FRACTIONAL ±
ANGULAR: MACH ± BEND ±
TWO PLACE DECIMAL ±
THREE PLACE DECIMAL ±

INTERPRET GEOMETRIC TOLERANCING PER:

MATERIAL

FINISH

DO NOT SCALE DRAWING

NAME	DATE
ASU	5/18/2015

DRAWN	
CHECKED	
ENG APPR.	
MFG APPR.	

Q.A.

COMMENTS:

UNITS ARE IN MILLIMETERS



TITLE:
SmartVisionLights.com

PROPRIETARY AND CONFIDENTIAL
THE INFORMATION CONTAINED IN THIS DRAWING IS THE SOLE PROPERTY OF SmartVisionLights. ANY REPRODUCTION IN PART OR AS A WHOLE WITHOUT THE WRITTEN PERMISSION OF SmartVisionLights IS PROHIBITED.

SIZE	DWG. NO.	REV
B	(OD)RL 300x300	1
SCALE: 1:4	WEIGHT:	SHEET 1 OF 1

4

3

2

1