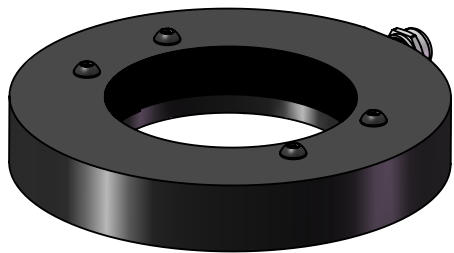
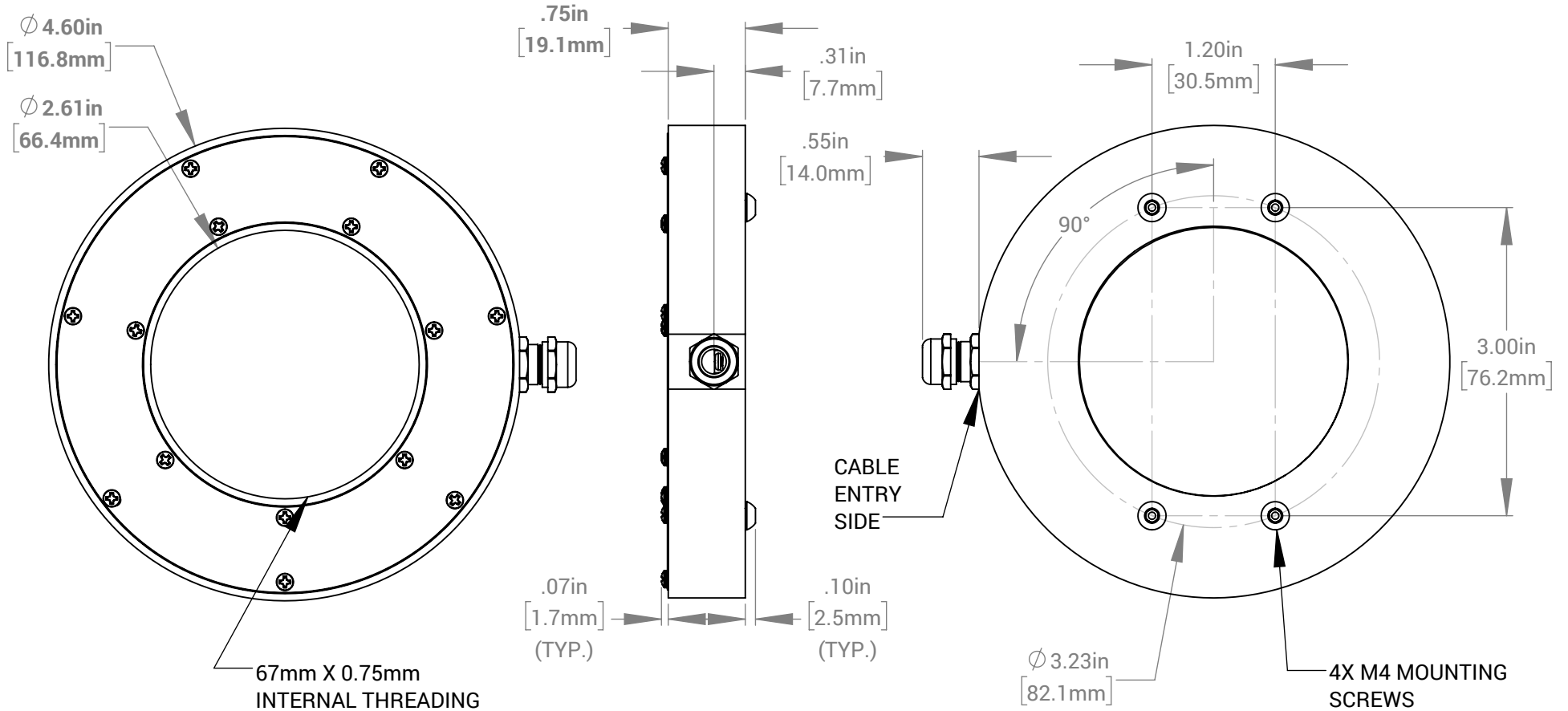


REVISIONS			
REV.	DESCRIPTION	DATE	DCN NO
-	FOR QUOTING PURPOSES ONLY		



FOR REFERENCE ONLY

PROPRIETARY AND CONFIDENTIAL
 THESE DRAWINGS AND SPECIFICATIONS ARE THE EXCLUSIVE PROPERTIES OF ADVANCED ILLUMINATION INCORPORATED ISSUED IN STRICT CONFIDENCE AND SHALL NOT, WITHOUT THE PRIOR WRITTEN PERMISSION OF ADVANCED ILLUMINATION INC BE REPRODUCED, COPIED OR USED FOR ANY PURPOSE WHATSOEVER EXCEPT THE MANUFACTURE OF ARTICLES FOR ADVANCED ILLUMINATION INC

CUT USING:		UNLESS OTHERWISE SPECIFIED: SURFACE SHOULD BE FREE OF SCRATCHES, BURRS, AND DENTS DIMENSIONS ARE IN: INCHES <u>TOLERANCES</u> FRACTIONAL $\pm 1/16$ ANGULAR: MACH ± 1 BEND ± 1 TWO PLACE DECIMAL $\pm .010$ THREE PLACE DECIMAL $\pm .005$ MAKE FROM	DATE	NAME
			29-NOV-16	J. BOWEN
			CHECKED	--
			APPROVED	--
			MATERIAL	-
NEXT ASSY	USED ON	FINISH		
APPLICATION				

UNIT WEIGHT: 0.68 lbs

Ai ADVANCED ILLUMINATION 440 STATE GARAGE ROAD, ROCHESTER, VERMONT 05767

TITLE:
DRAWING, INSTALLATION, RL127

SIZE	DWG. NO.	REV
A	RL127	-

SCALE: NTS C CODE: - SHEET 1 OF 1