

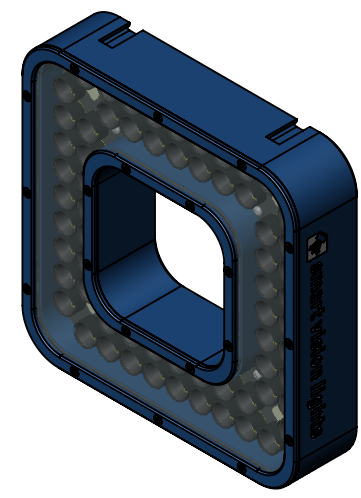
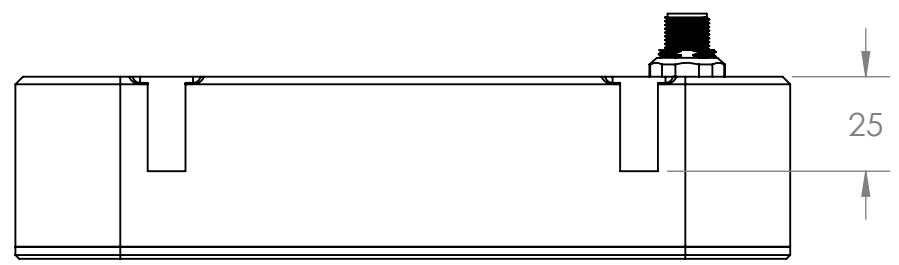
4

3

2

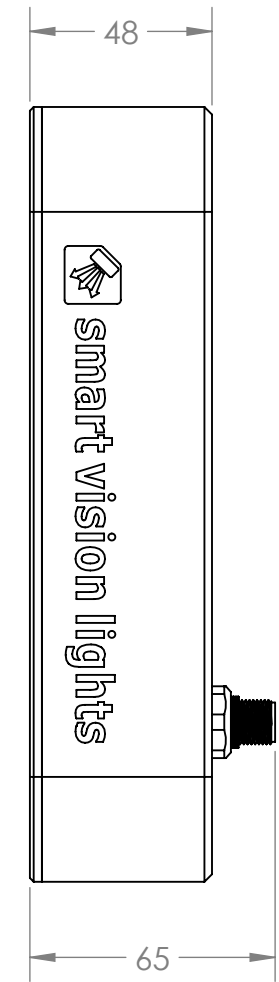
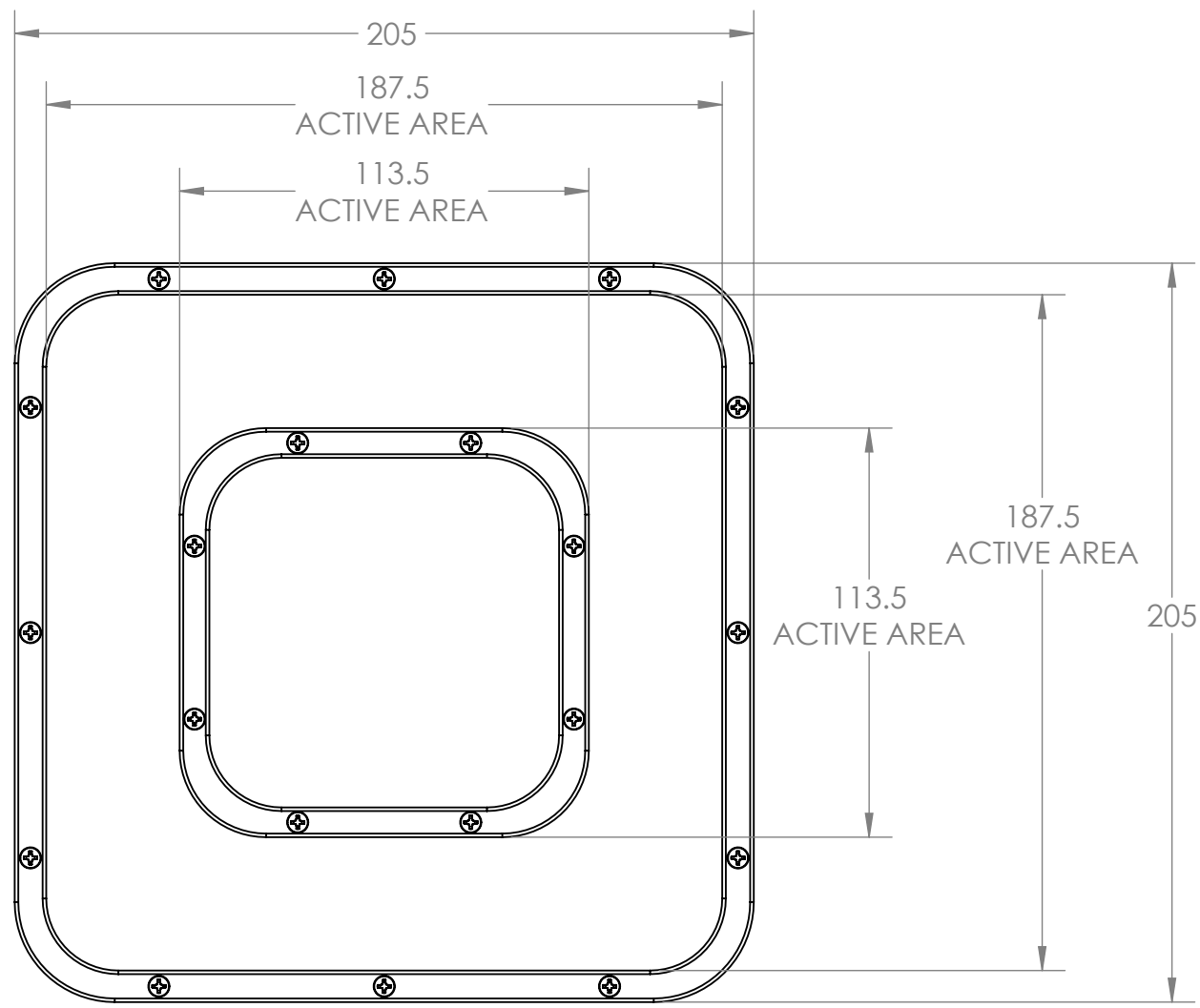
1

REVISIONS				
DRAWN BY	REV.	DESCRIPTION	DATE	APPROVED



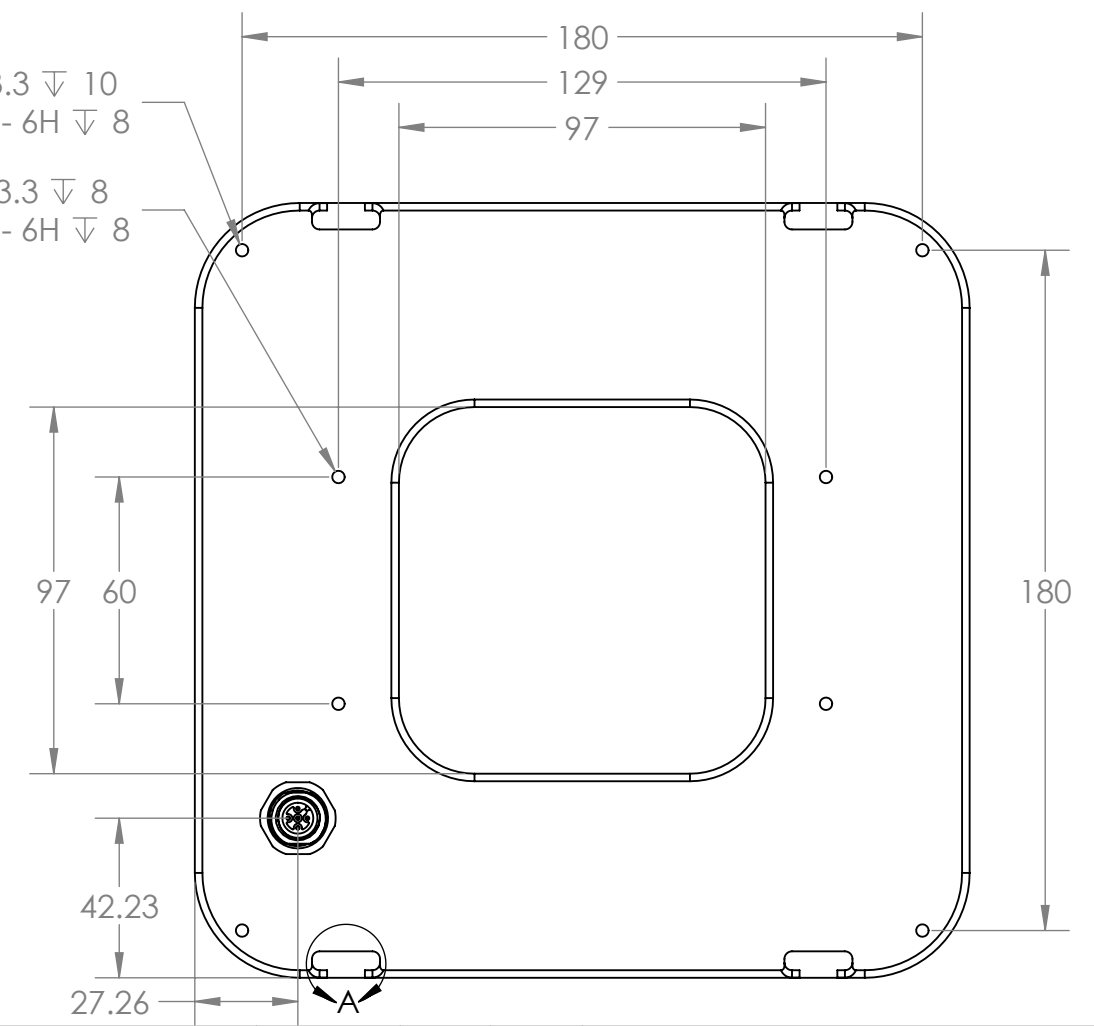
B

B



4X $\varnothing 3.3 \nabla 10$
M4X0.7 - 6H $\nabla 8$

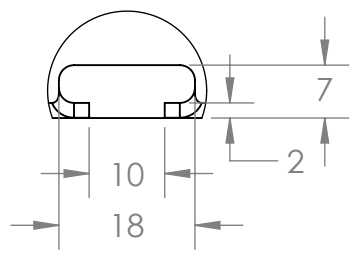
4X $\varnothing 3.3 \nabla 8$
M4X0.7 - 6H $\nabla 8$



A

A

T-SLOT
DETAIL A
SCALE 1 : 1



PROPRIETARY AND CONFIDENTIAL
THE INFORMATION CONTAINED IN THIS DRAWING IS THE SOLE PROPERTY OF SmartVisionLights. ANY REPRODUCTION IN PART OR AS A WHOLE WITHOUT THE WRITTEN PERMISSION OF SmartVisionLights IS PROHIBITED.

UNLESS OTHERWISE SPECIFIED:		NAME	DATE
DIMENSIONS ARE IN MM		DRAWN	NC 9/21/2022
TOLERANCES:		CHECKED	MP 9/21/2022
FRACTIONAL \pm		ENG APPR.	MP 9/21/2022
ANGULAR: BEND \pm		MFG APPR.	MP 9/21/2022
TWO PLACE DECIMAL \pm		Q.A.	
THREE PLACE DECIMAL \pm		COMMENTS:	
INTERPRET GEOMETRIC TOLERANCING PER:		UNITS ARE IN MILLIMETERS	
MATERIAL			
FINISH			
DO NOT SCALE DRAWING			

			SVL PART NO.	
			RHI 200	
SIZE	ENG DWG NO.	REV		
B	RHI 200	1		
SCALE: 1:2		WEIGHT:	SHEET 1 OF 1	