

4

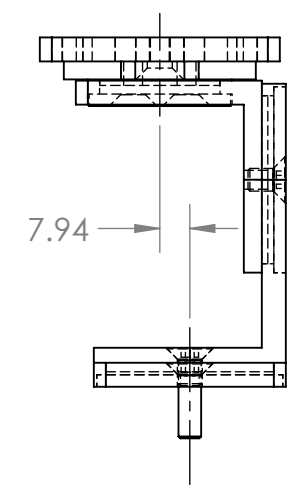
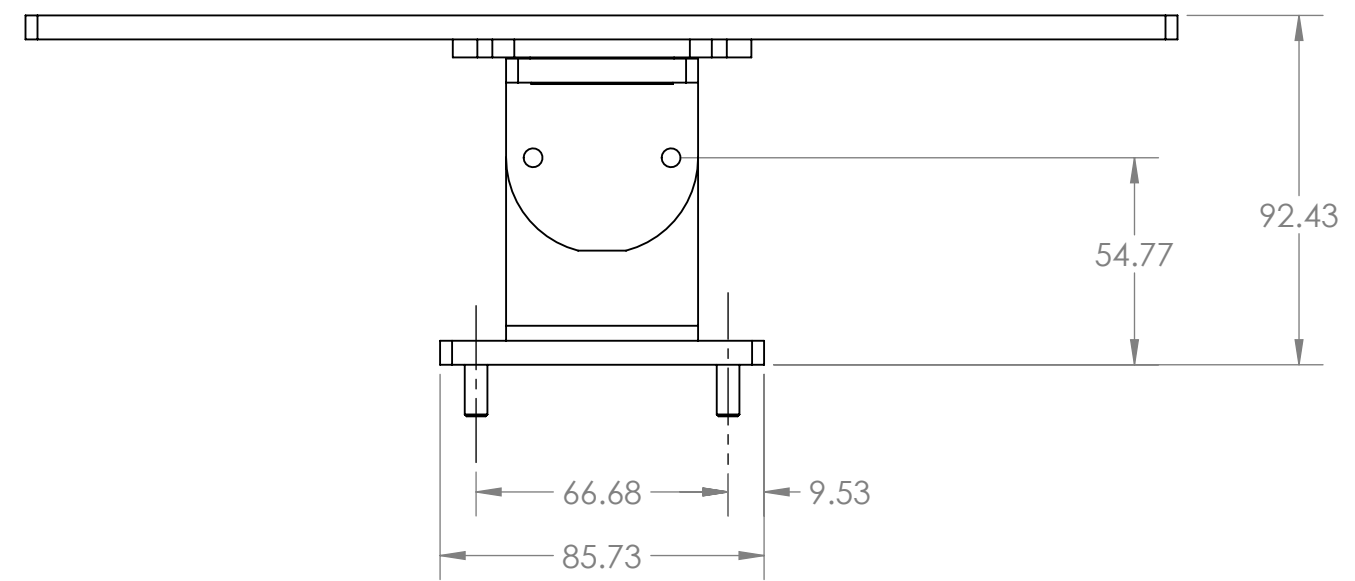
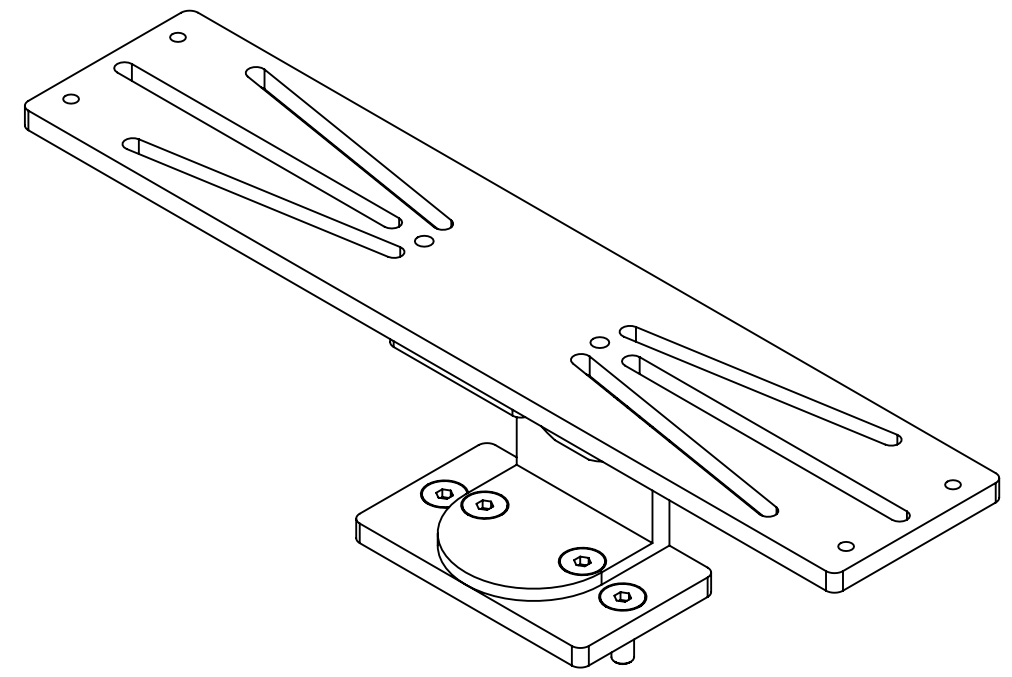
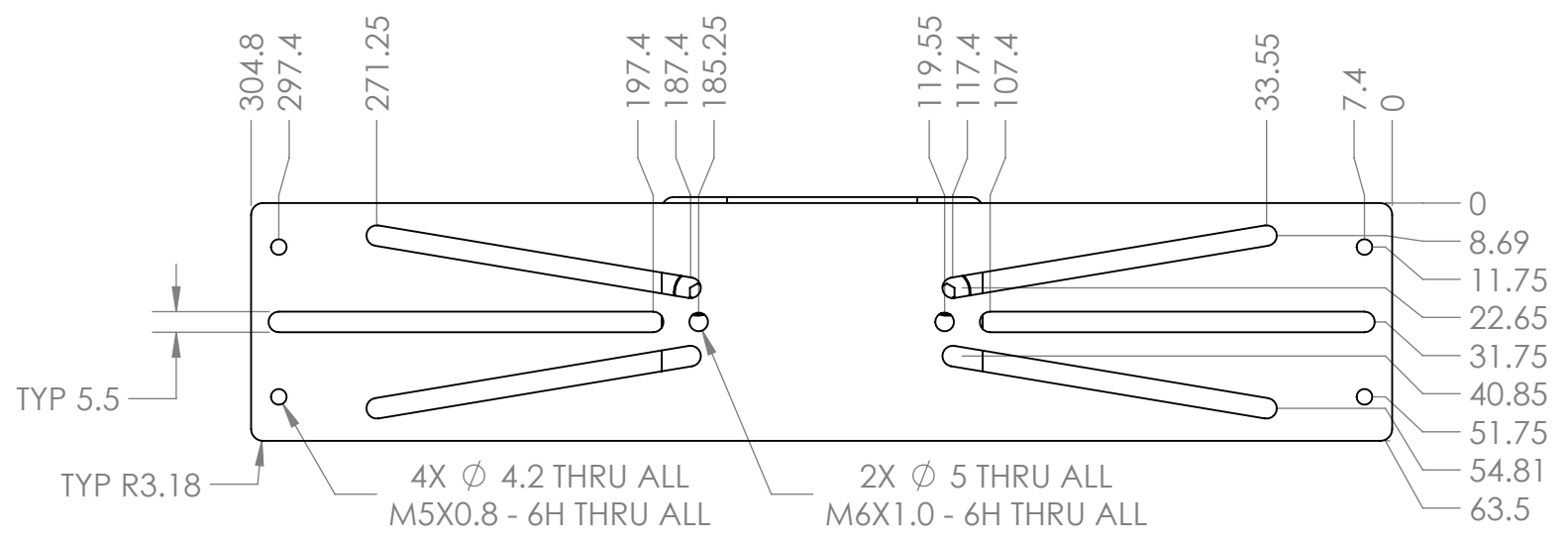
3

2

1

REVISIONS

DRAWN BY	REV.	DESCRIPTION	DATE	APPROVED
NC	2	CHANGED DIA OF SLOTS TO 5.5	4/17/2018	MP



PROPRIETARY AND CONFIDENTIAL
 THE INFORMATION CONTAINED IN THIS DRAWING IS THE SOLE PROPERTY OF SmartVisionLights. ANY REPRODUCTION IN PART OR AS A WHOLE WITHOUT THE WRITTEN PERMISSION OF SmartVisionLights IS PROHIBITED.

UNLESS OTHERWISE SPECIFIED:		NAME	DATE
DIMENSIONS ARE IN MM		DRAWN	NC 4/17/2018
TOLERANCES:		CHECKED	MP 4/17/2018
FRACTIONAL ±		ENG APPR.	MP 4/17/2018
ANGULAR: BEND ± 3°		MFG APPR.	MP 4/17/2018
TWO PLACE DECIMAL ± .127		Q.A.	
THREE PLACE DECIMAL ± .127		COMMENTS:	
INTERPRET GEOMETRIC TOLERANCING PER:		UNITS ARE IN MILLIMETERS	
MATERIAL			
FINISH			
ALUMINUM		SCALE: 1:2	WEIGHT:
BRUSHED		ENG DWG NO.	REV
DO NOT SCALE DRAWING		PB300-M5	2

smart vision lights

SVL PART NO. **PB300-M5**

SCALE: 1:2 WEIGHT: SHEET 1 OF 1

4

3

2

1

B

B

A

A