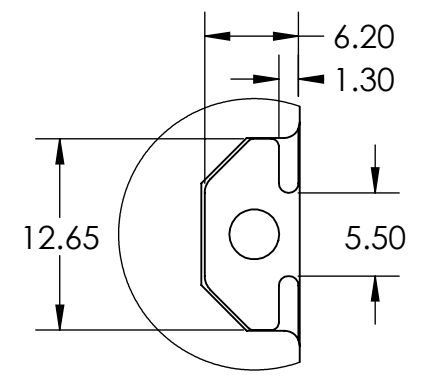


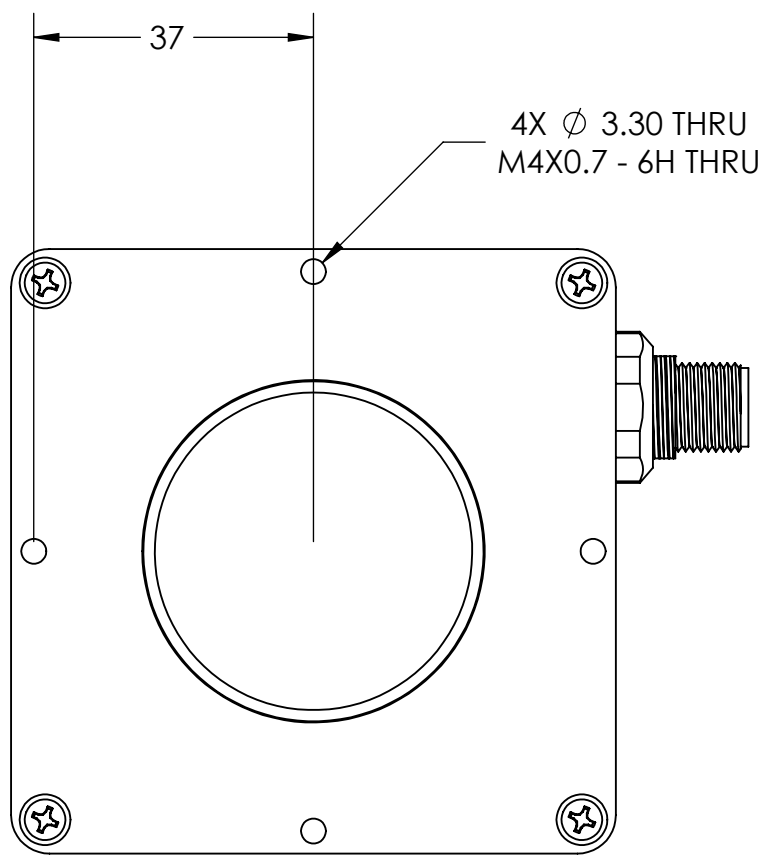
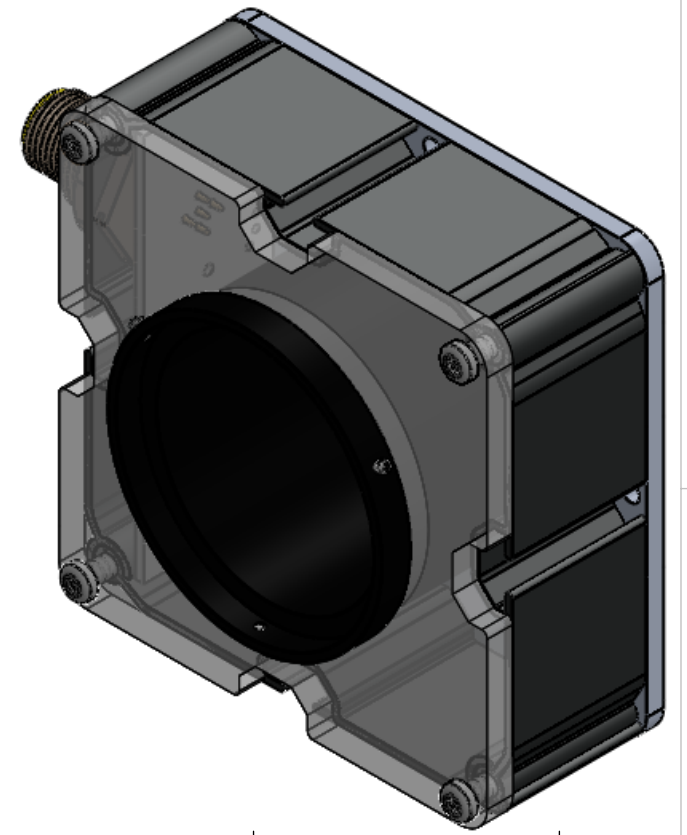
8 7 6 5 4 3 2 1

D  
C  
B  
A

D  
C  
B  
A

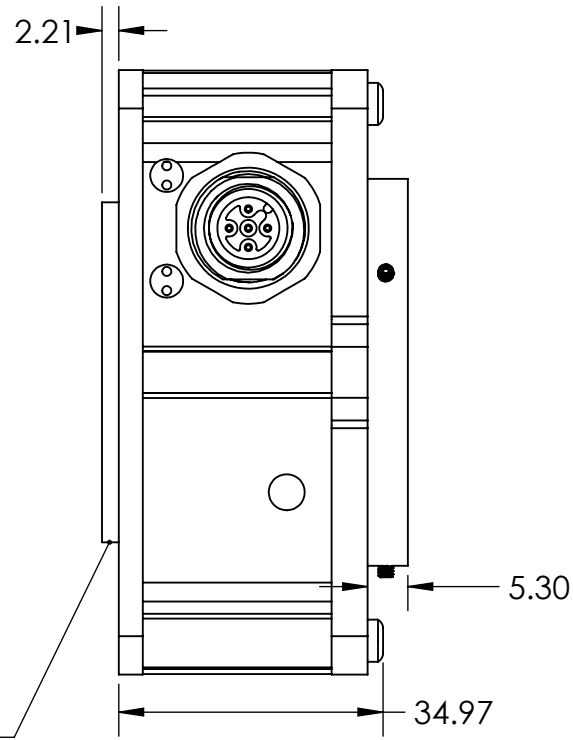


DETAIL B  
SCALE 2 : 1

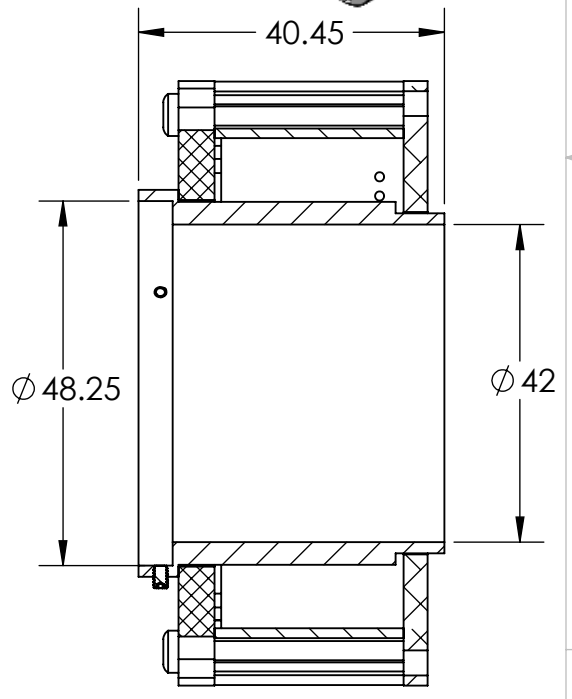
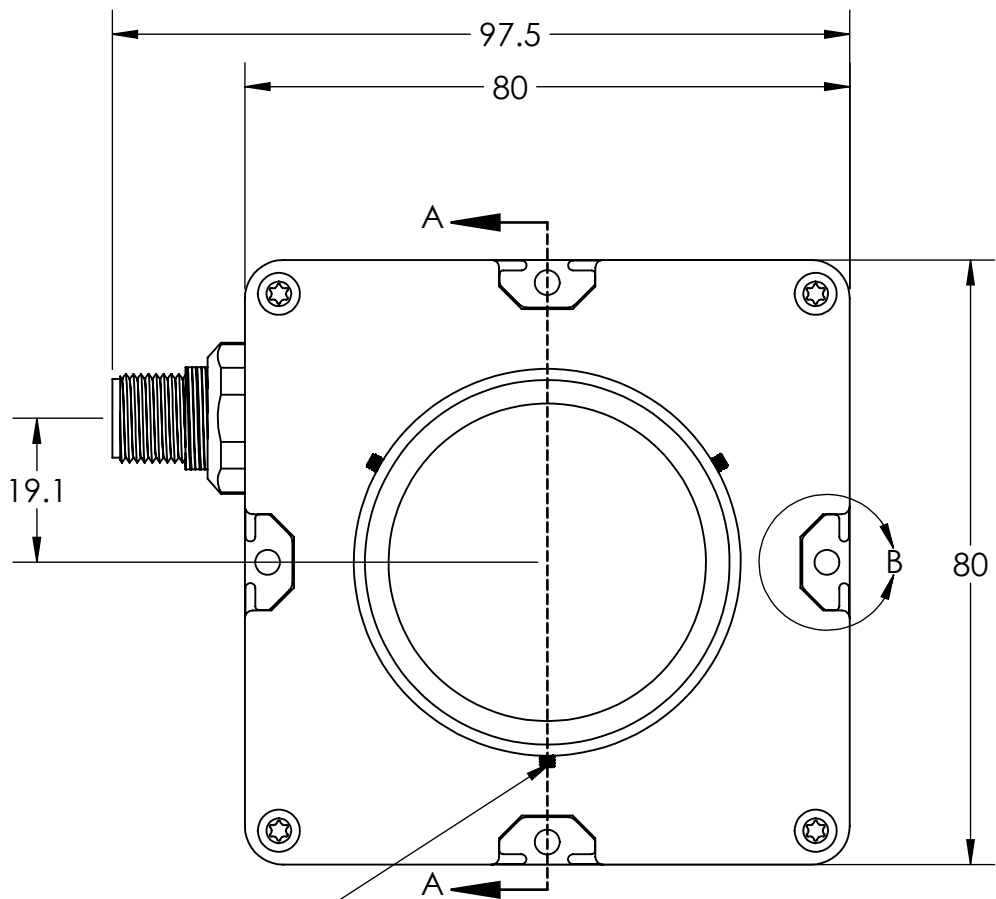


4X Ø 3.30 THRU  
M4X0.7 - 6H THRU

M46x0.75 Thread



3x M2 Set Screw



SECTION A-A

UNLESS OTHERWISE SPECIFIED:

DIMENSIONS ARE IN MM [IN]

TOLERANCES:

ANGULAR: MACH ±.25° BEND ±3°

ZERO PLACE DECIMAL ±.50mm

ONE PLACE DECIMAL ±.10mm

TWO PLACE DECIMAL ±.05mm

INTERPRET GEOMETRIC TOLERANCING PER:

MATERIAL

FINISH

DO NOT SCALE DRAWING

NAME	DATE
Dyckema	11/28/2014
DRAWN	
CHECKED	
ENG APPR.	
MFG APPR.	
Q.A.	
COMMENTS:	

TITLE:		
SIZE <b>B</b>	DWG. NO. R80-ODR80-R1	REV
SCALE: 1:1	WEIGHT:	SHEET 1 OF 1

**PROPRIETARY AND CONFIDENTIAL**

THE INFORMATION CONTAINED IN THIS DRAWING IS THE SOLE PROPERTY OF SMART VISION LIGHTS. ANY REPRODUCTION IN PART OR AS A WHOLE WITHOUT THE WRITTEN PERMISSION OF SMART VISION LIGHTS IS PROHIBITED.

8 7 6 5 4 3 2 1