

4

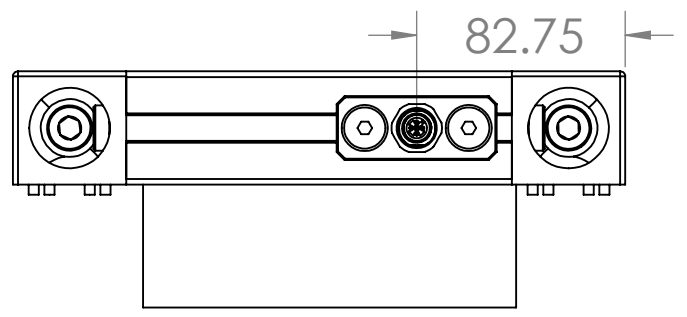
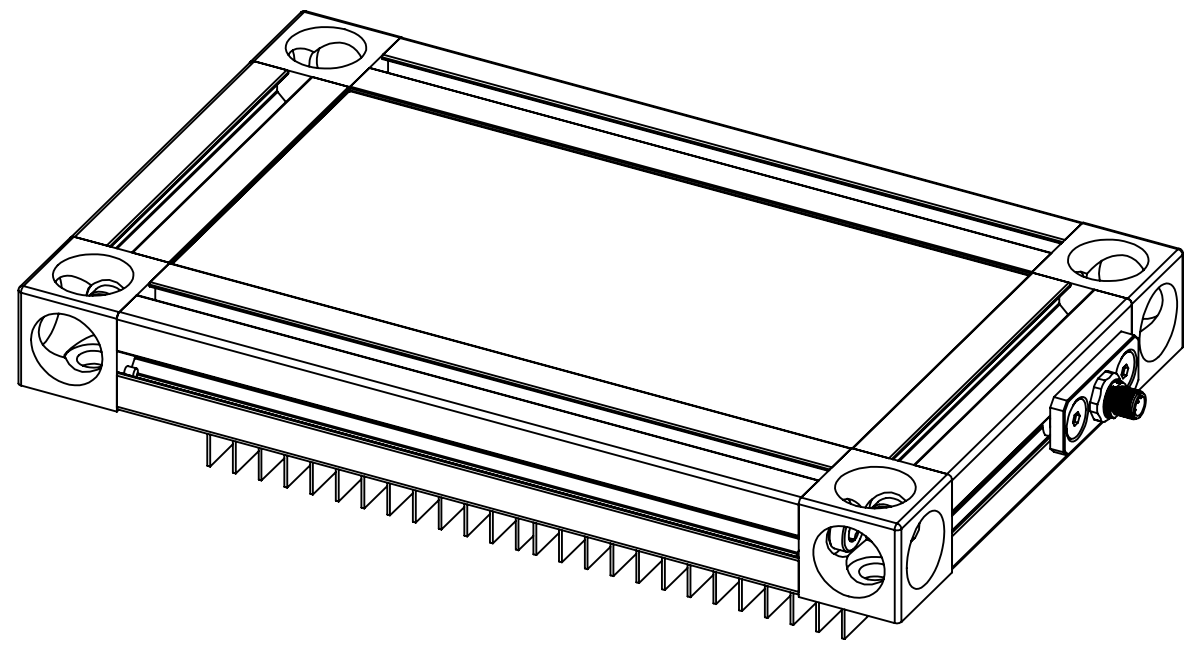
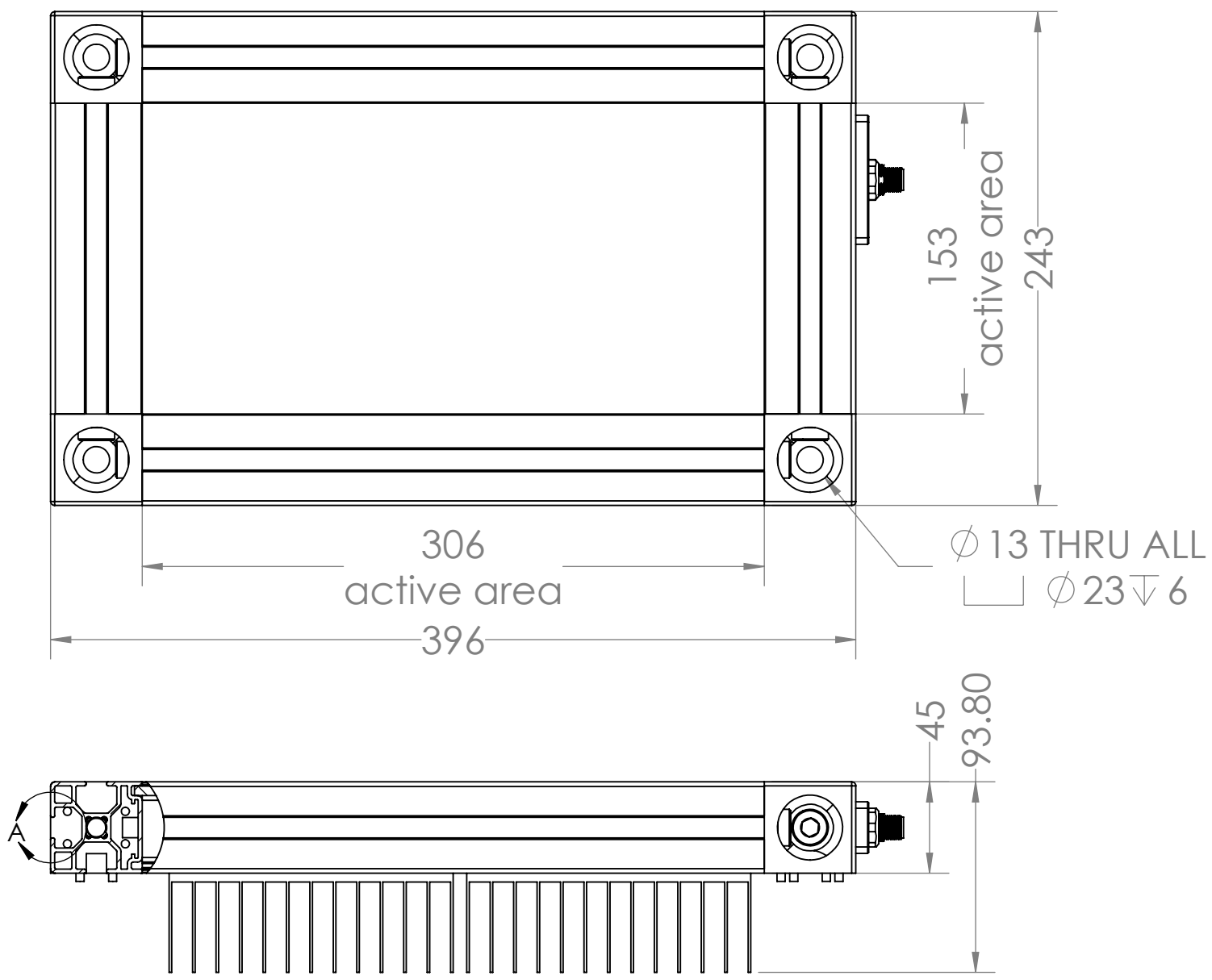
3

2

1

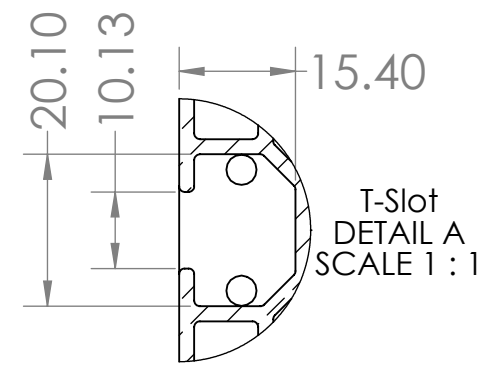
B

B



A

A



PROPRIETARY AND CONFIDENTIAL
 THE INFORMATION CONTAINED IN THIS DRAWING IS THE SOLE PROPERTY OF SmartVisionLights. ANY REPRODUCTION IN PART OR AS A WHOLE WITHOUT THE WRITTEN PERMISSION OF SmartVisionLights IS PROHIBITED.

UNLESS OTHERWISE SPECIFIED:
 DIMENSIONS ARE IN MM
 TOLERANCES:
 FRACTIONAL \pm
 ANGULAR: MACH \pm BEND \pm
 TWO PLACE DECIMAL \pm
 THREE PLACE DECIMAL \pm
 INTERPRET GEOMETRIC TOLERANCING PER:
 MATERIAL
 FINISH
 DO NOT SCALE DRAWING

NAME	DATE
DRAWN ASU	5/13/2015
CHECKED	
ENG APPR.	
MFG APPR.	
Q.A.	
COMMENTS:	

UNITS ARE IN MILLIMETERS

smart vision lights

TITLE:
 SmartVisionLights.com

SIZE	DWG. NO.	REV
B	MOBL 300x150	1

SCALE: 1:3 WEIGHT: SHEET 1 OF 1