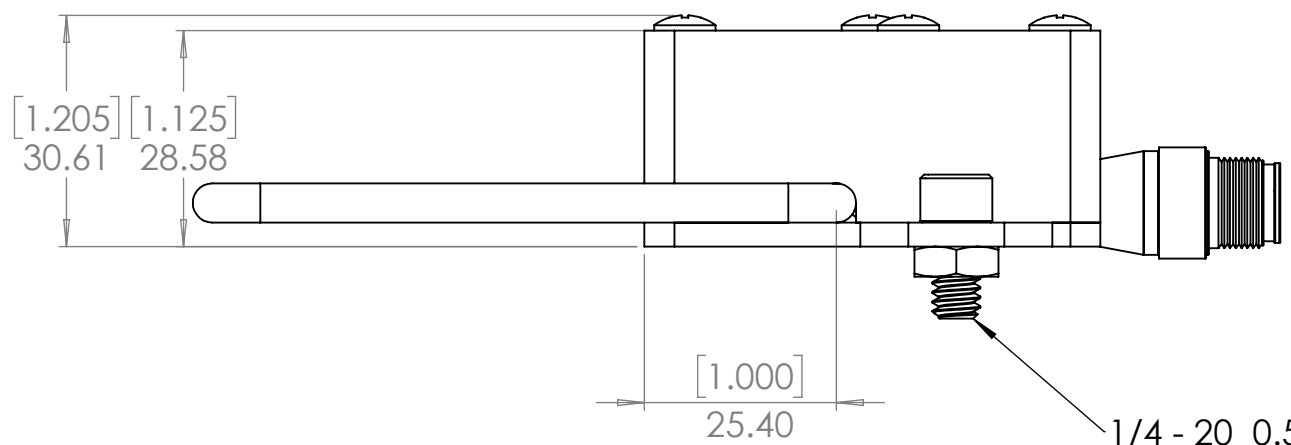
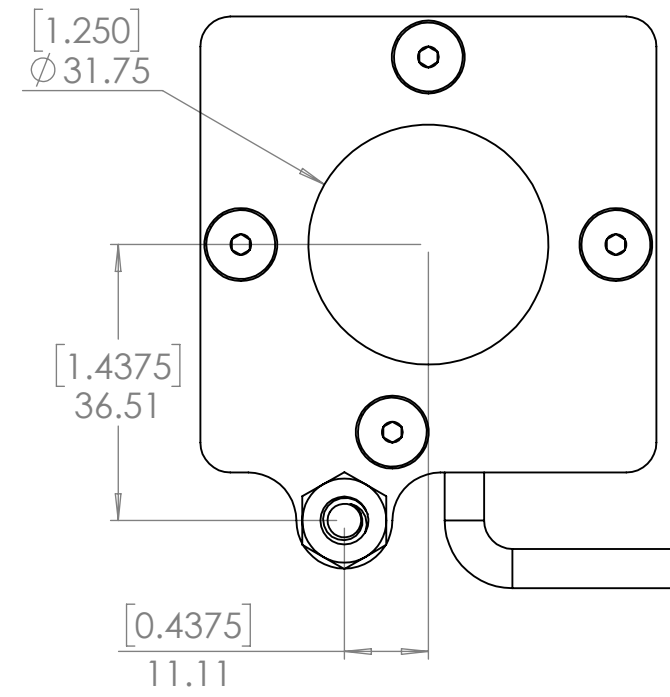
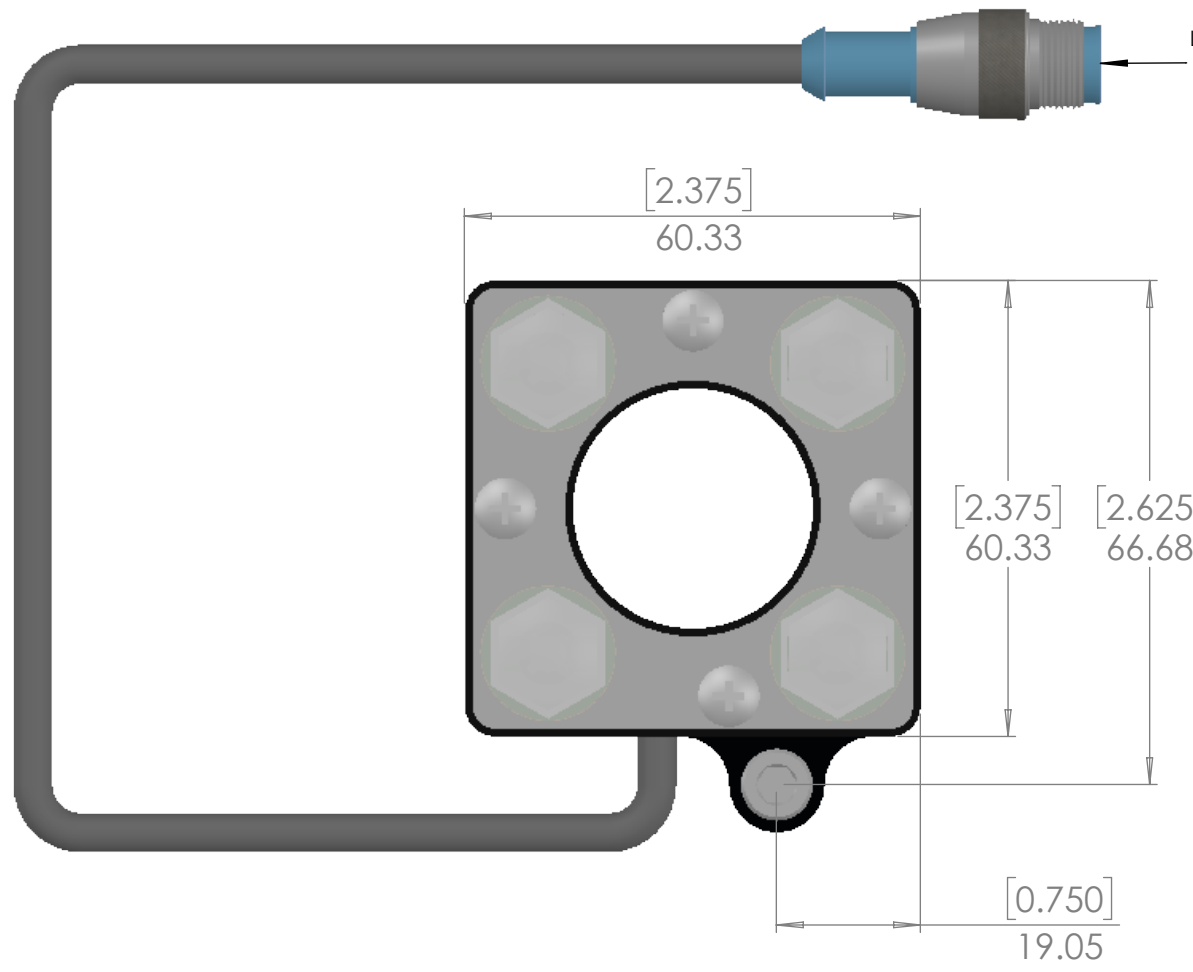


8 7 6 5 4 3 2 1

**WARNING !!!**

USE ONLY SPECTRUM ILLUMINATION LDM 350 ADAPTER. DO NOT CONNECT LIGHT TO 24VDC DIRECTLY. FAILURE TO FOLLOW THESE DIRECTIONS WILL RESULT IN PREMATURE LED FAILURE AND VOID THE WARRANTY.



1/4 - 20 0.5" bolt and nut included

**PROPRIETARY AND CONFIDENTIAL**  
 THE INFORMATION CONTAINED IN THIS DRAWING IS THE SOLE PROPERTY OF SPECTRUM ILLUMINATION COMPANY INC. ANY REPRODUCTION IN PART OR AS A WHOLE WITHOUT THE WRITTEN PERMISSION OF SPECTRUM ILLUMINATION COMPANY INC. IS PROHIBITED.

UNLESS OTHERWISE SPECIFIED:		NAME	DATE
DIMENSIONS ARE IN MILLIMETERS / (INCHES)	DRAWN	DJH	01/21/21
TOLERANCES:	CHECKED		
ANGULAR: MACH ± BEND ±	ENG APPR.		
TWO PLACE DECIMAL ±0.50mm	MFG APPR.		
THREE PLACE DECIMAL ±0.25mm	Q.A.		
INTERPRET GEOMETRIC TOLERANCING PER:	COMMENTS:		
MATERIAL			
N/A			
FINISH			
N/A			
DO NOT SCALE DRAWING			

**SPECTRUM ILLUMINATION**  
 5114 INDUSTRIAL PARK RD.  
 MONTAGUE, MI 49437

SIZE	DWG. NAME	REV
<b>B</b>	MRL2.5-XXX	<b>A</b>
SCALE: 1:1	WEIGHT:	SHEET 1 OF 1

8 7 6 5 4 3 2 1