

4

3

2

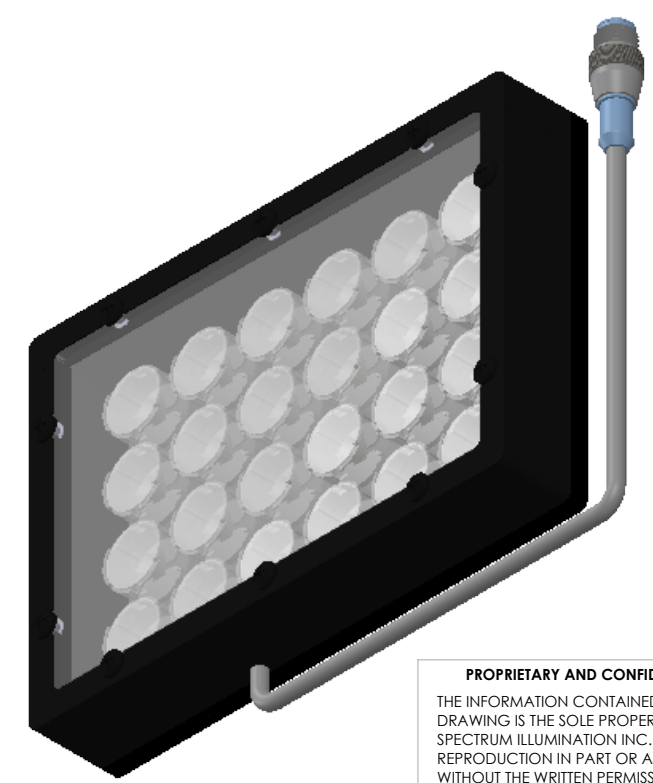
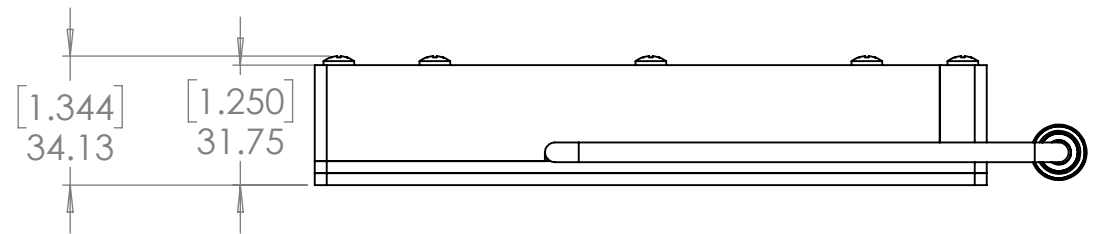
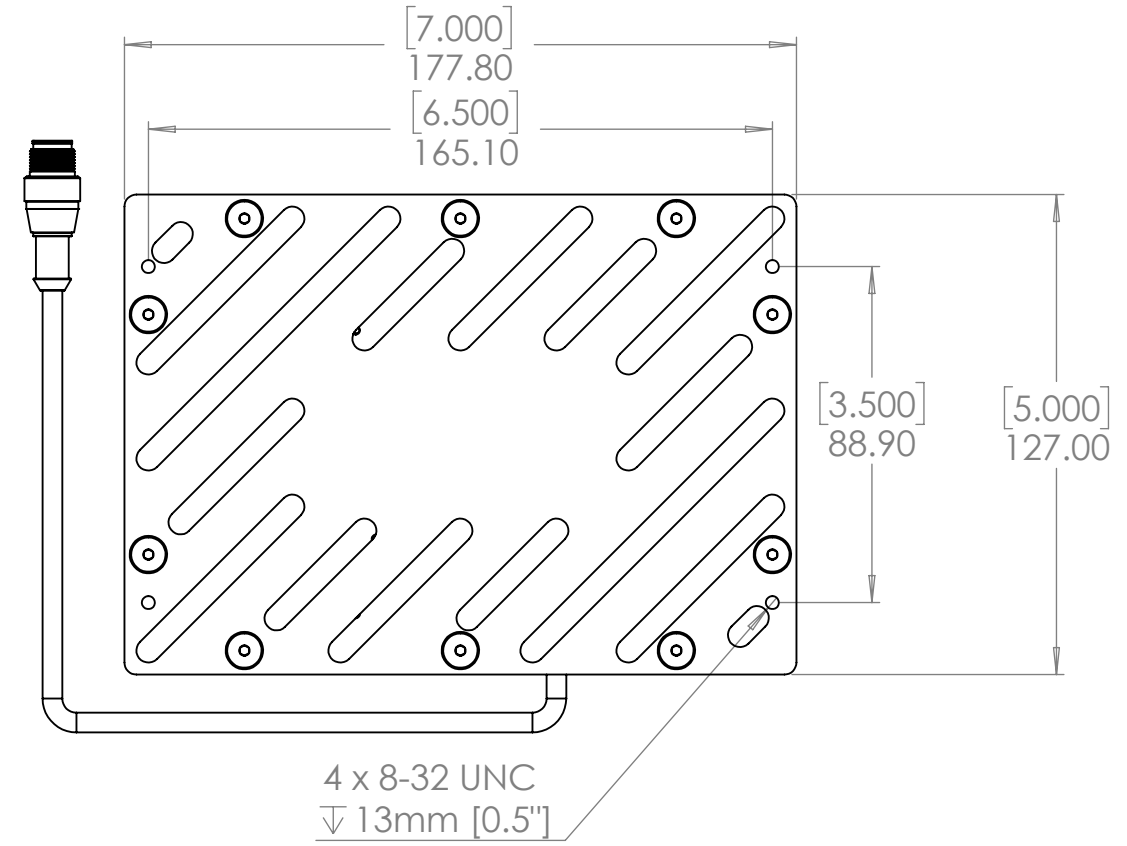
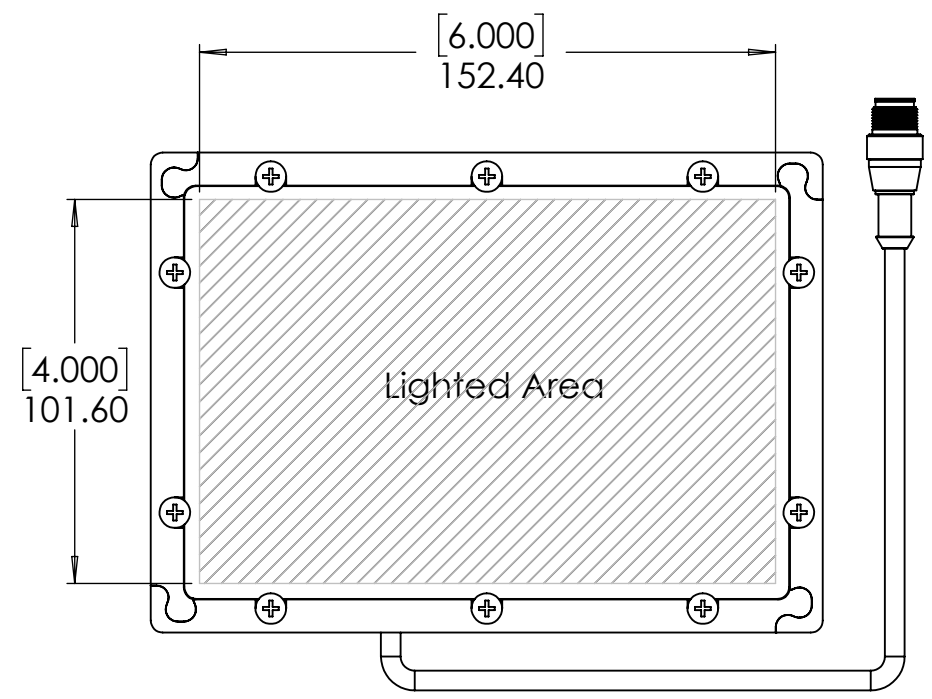
1

B

B

A

A



**PROPRIETARY AND CONFIDENTIAL**  
 THE INFORMATION CONTAINED IN THIS DRAWING IS THE SOLE PROPERTY OF SPECTRUM ILLUMINATION INC. ANY REPRODUCTION IN PART OR AS A WHOLE WITHOUT THE WRITTEN PERMISSION OF SPECTRUM ILLUMINATION INC IS PROHIBITED.

|                                      |  |           |              |
|--------------------------------------|--|-----------|--------------|
| UNLESS OTHERWISE SPECIFIED:          |  | NAME      | DATE         |
| DIMENSIONS ARE IN mm [INCH]          |  | DRAWN     | DJH 09/22/20 |
| TOLERANCES:                          |  | CHECKED   | -            |
| ANGULAR: MACH ± BEND ±               |  | ENG APPR. |              |
| ONE PLACE DECIMAL ±1.0               |  | MFG APPR. |              |
| TWO PLACE DECIMAL ±0.5               |  | Q.A.      |              |
| THREE PLACE DECIMAL ±0.25            |  | COMMENTS: |              |
| INTERPRET GEOMETRIC TOLERANCING PER: |  |           |              |
| MATERIAL                             |  |           |              |
| FINISH                               |  |           |              |
| DO NOT SCALE DRAWING                 |  |           |              |

**SPECTRUM ILLUMINATION**  
 5114 INDUSTRIAL PARK RD.  
 MONTAGUE, MI 49437

Description:  
 4" x 6" Monster Linear Light

|            |           |              |
|------------|-----------|--------------|
| SIZE       | DWG. NO.  | REV          |
| <b>B</b>   | MLL46-XXX | <b>A</b>     |
| SCALE: 1:2 | WEIGHT:   | SHEET 1 OF 1 |