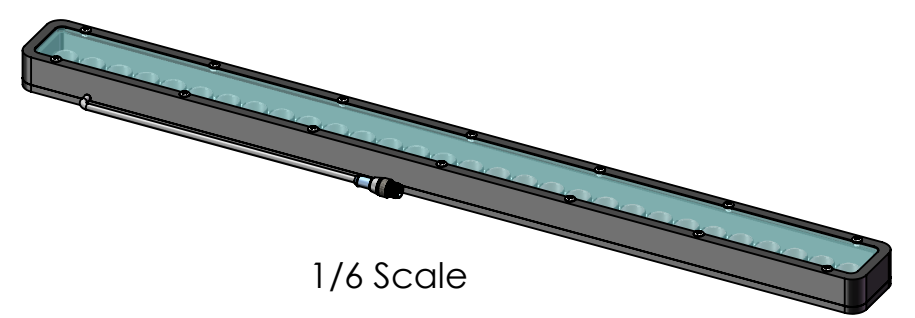
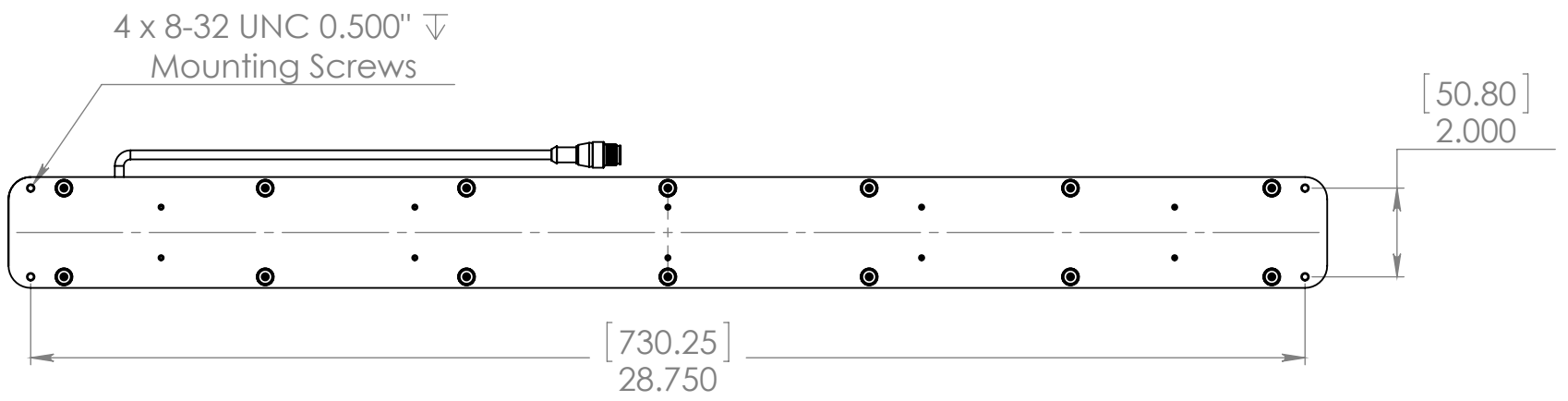
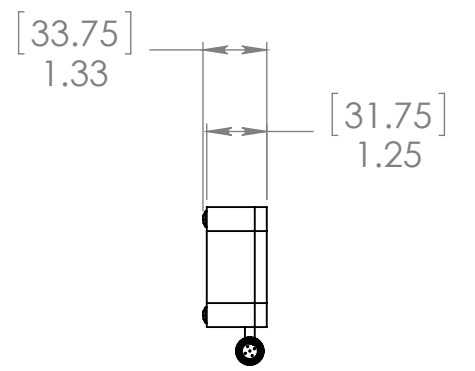
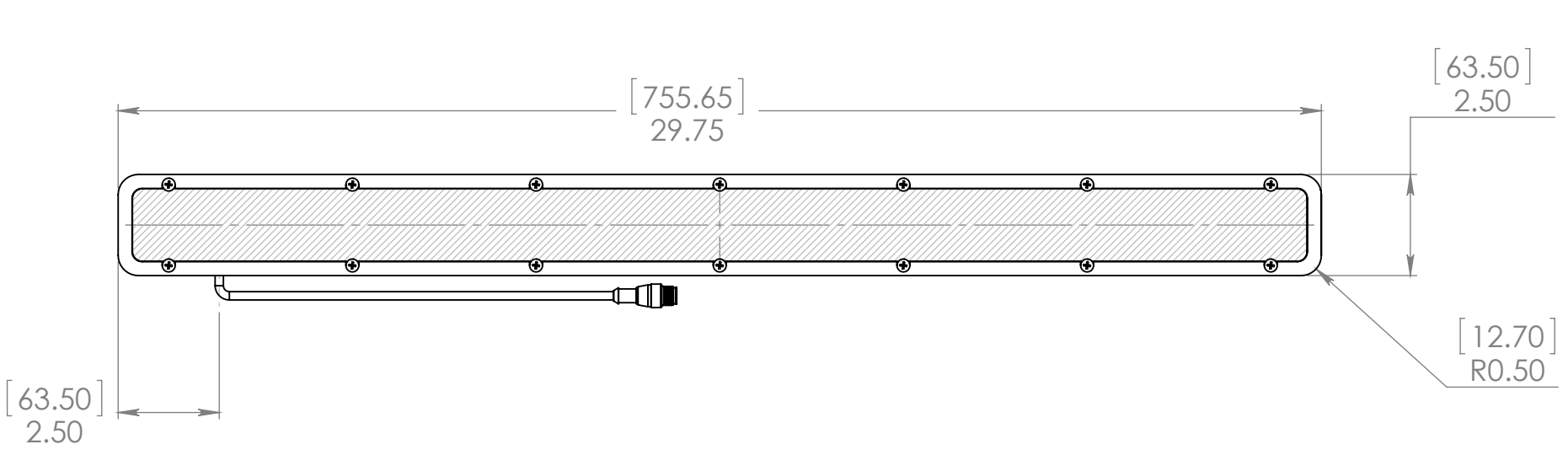


8 7 6 5 4 3 2 1

D  
C  
B  
A



UNLESS OTHERWISE SPECIFIED:		NAME	DATE
DIMENSIONS ARE IN INCHES & [MILLIMETERS]		DRAWN	DDM 10/11/2010
TOLERANCES:		CHECKED	
ANGULAR: MACH ± BEND ±		ENG APPR.	
TWO PLACE DECIMAL ±0.020"		MFG APPR.	
THREE PLACE DECIMAL ±0.010"		Q.A.	
FOUR PLACE DECIMAL ±0.005"		COMMENTS:	
INTERPRET GEOMETRIC TOLERANCING PER:			
MATERIAL	N/A		
FINISH	N/A		
DO NOT SCALE DRAWING		SIZE	DWG. NAME
		B	LL128.75 Complete
		REV	A
		SCALE: 1:4	WEIGHT:
		SHEET 1 OF 1	

**PROPRIETARY AND CONFIDENTIAL**  
THE INFORMATION CONTAINED IN THIS DRAWING IS THE SOLE PROPERTY OF SPECTRUM ILLUMINATION COMPANY INC. ANY REPRODUCTION IN PART OR AS A WHOLE WITHOUT THE WRITTEN PERMISSION OF SPECTRUM ILLUMINATION COMPANY INC. IS PROHIBITED.

**SPECTRUM ILLUMINATION**  
5114 INDUSTRIAL PARK RD.  
MONTAGUE, MI 49437

8 7 6 5 4 3 2 1