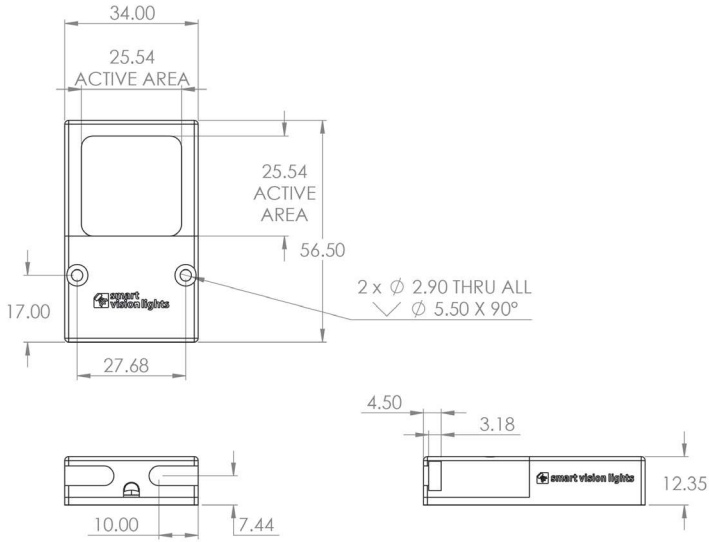


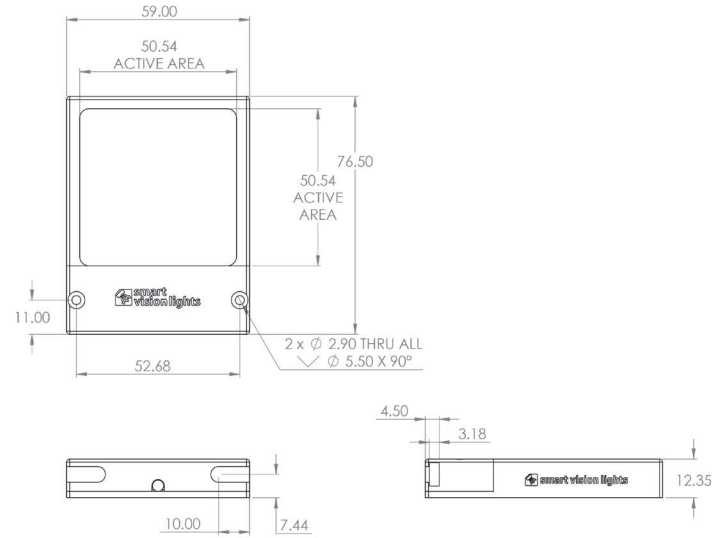
PRODUCT DRAWINGS

CAD files are available on our website. Drawings are in mm.

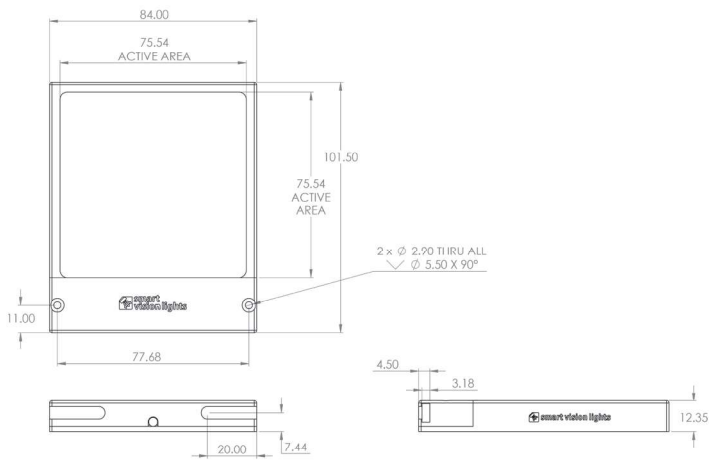
MBL-25x25



MBL-50x50



MBL-75x75



MBL-100x100

