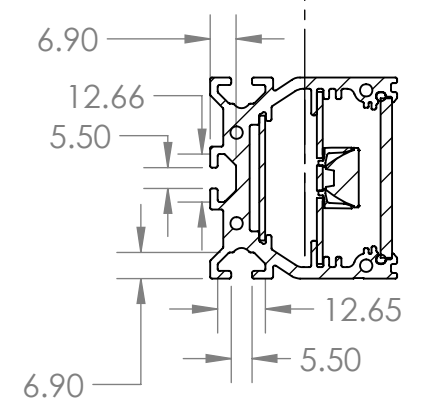
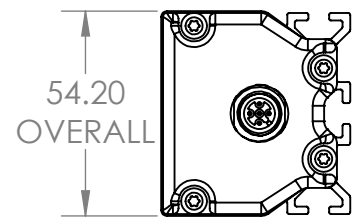
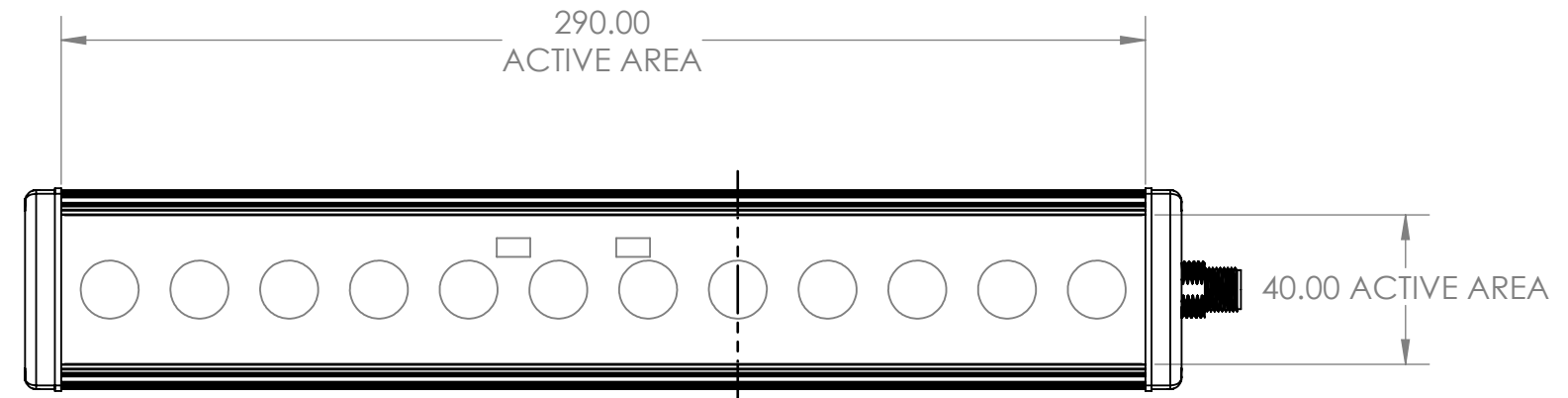
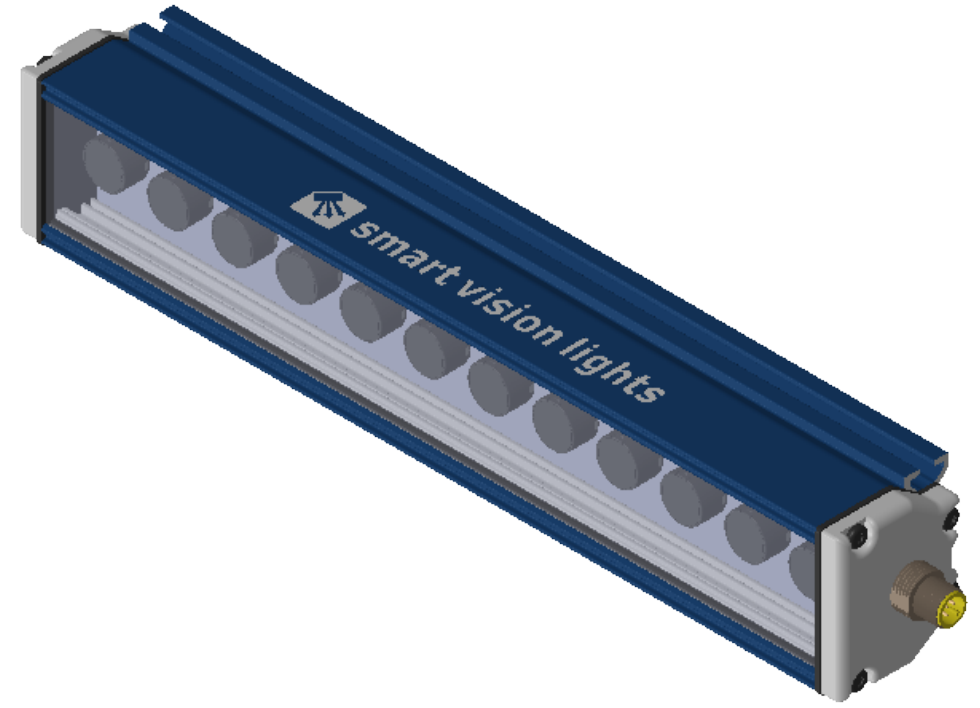


4

3

2

1



T-SLOT DETAIL  
SCALE 1:2

**PROPRIETARY AND CONFIDENTIAL**  
THE INFORMATION CONTAINED IN THIS DRAWING IS THE SOLE PROPERTY OF SmartVisionLights. ANY REPRODUCTION IN PART OR AS A WHOLE WITHOUT THE WRITTEN PERMISSION OF SmartVisionLights IS PROHIBITED.

UNLESS OTHERWISE SPECIFIED:		NAME	DATE
DIMENSIONS ARE IN MM		DRAWN	RH 4/14/2022
TOLERANCES:		CHECKED	4/14/2022
FRACTIONAL ±		ENG APPR.	4/14/2022
ANGULAR: BEND ± 3°		MFG APPR.	4/14/2022
ONE PLACE DECIMAL ±.1		Q.A.	
TWO PLACE DECIMAL ±.13		COMMENTS:	
THREE PLACE DECIMAL ±.127		UNITS ARE IN MILLIMETERS	
INTERPRET GEOMETRIC TOLERANCING PER:		DO NOT SCALE DRAWING	
MATERIAL			
FINISH			

SVL PART NO.		
LSR 300		
SIZE	ENG DWG NO.	REV
<b>B</b>	LSR 300	<b>1</b>
SCALE: 1:5	WEIGHT:	SHEET 1 OF 1

4

3

2

1

B

B

A

A

4

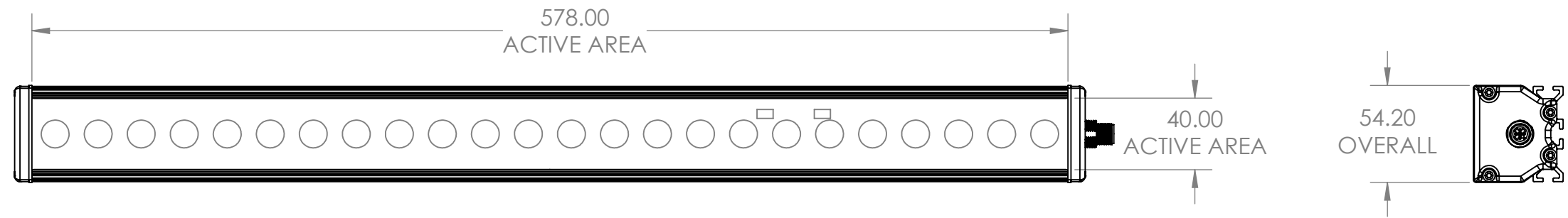
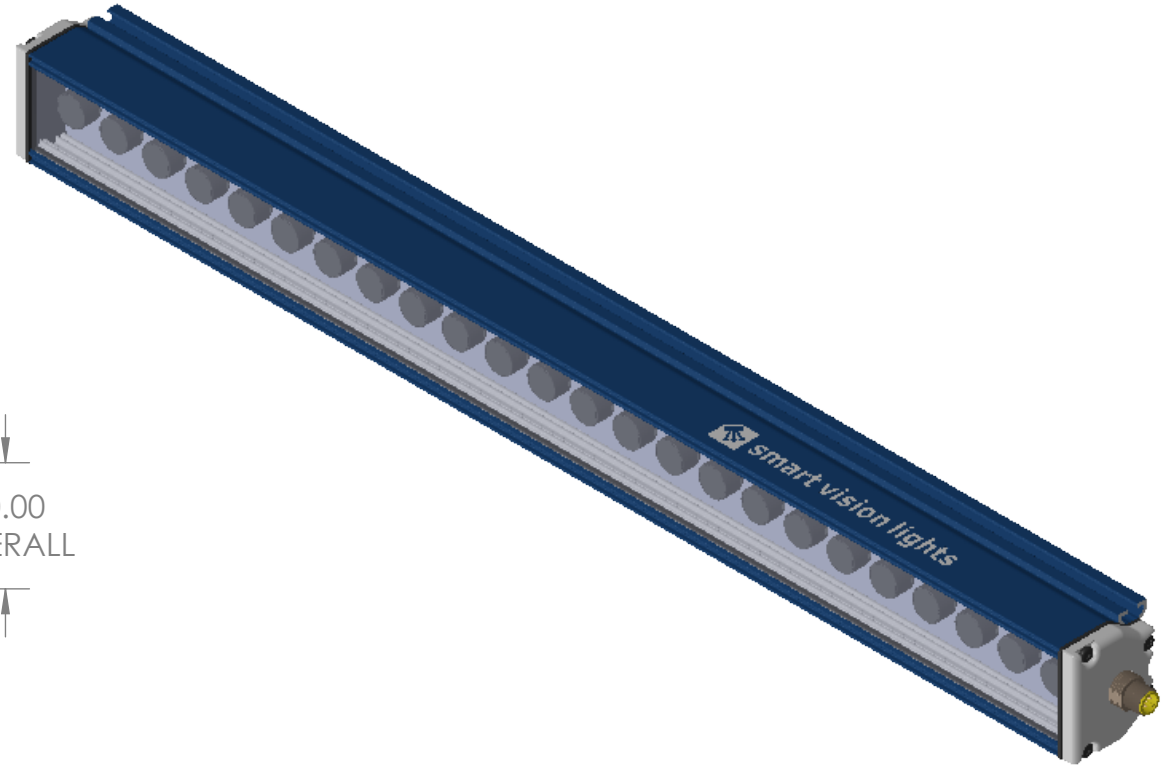
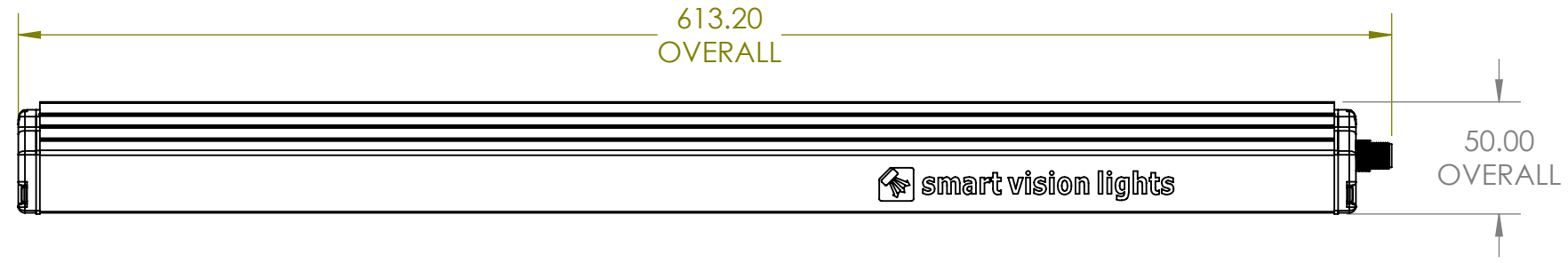
3

2

1

B

B



A

A

UNLESS OTHERWISE SPECIFIED:		NAME	DATE
DIMENSIONS ARE IN MM		DRAWN	RH 4/14/2022
TOLERANCES:		CHECKED	4/14/2022
FRACTIONAL ±		ENG APPR.	4/14/2022
ANGULAR: BEND ± 3°		MFG APPR.	4/14/2022
ONE PLACE DECIMAL ±.1		Q.A.	
TWO PLACE DECIMAL ±.13		COMMENTS:	
THREE PLACE DECIMAL ±.127		UNITS ARE IN MILLIMETERS	
INTERPRET GEOMETRIC TOLERANCING PER:		SCALE: 1:5 WEIGHT: SHEET 1 OF 1	
MATERIAL			
FINISH			
DO NOT SCALE DRAWING			

**PROPRIETARY AND CONFIDENTIAL**  
 THE INFORMATION CONTAINED IN THIS DRAWING IS THE SOLE PROPERTY OF SmartVisionLights. ANY REPRODUCTION IN PART OR AS A WHOLE WITHOUT THE WRITTEN PERMISSION OF SmartVisionLights IS PROHIBITED.



SVL PART NO.		
LSR 600		
SIZE	ENG DWG NO.	REV
<b>B</b>	LSR 600	<b>1</b>
SCALE: 1:5 WEIGHT:		SHEET 1 OF 1

4

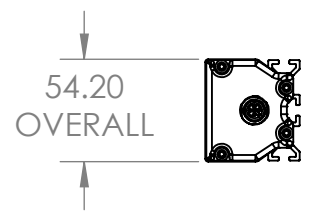
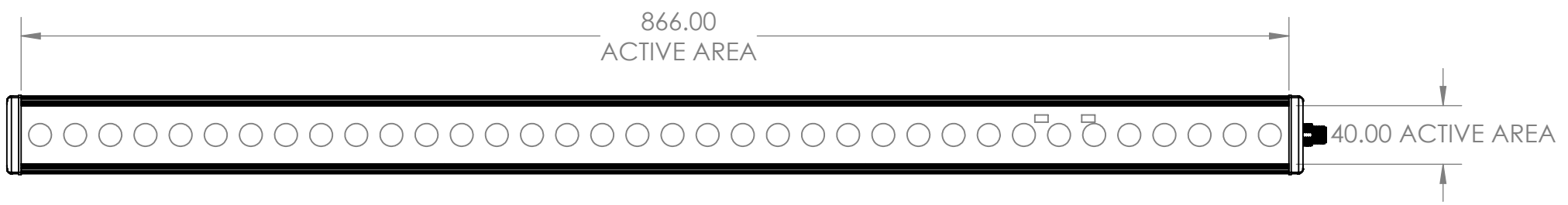
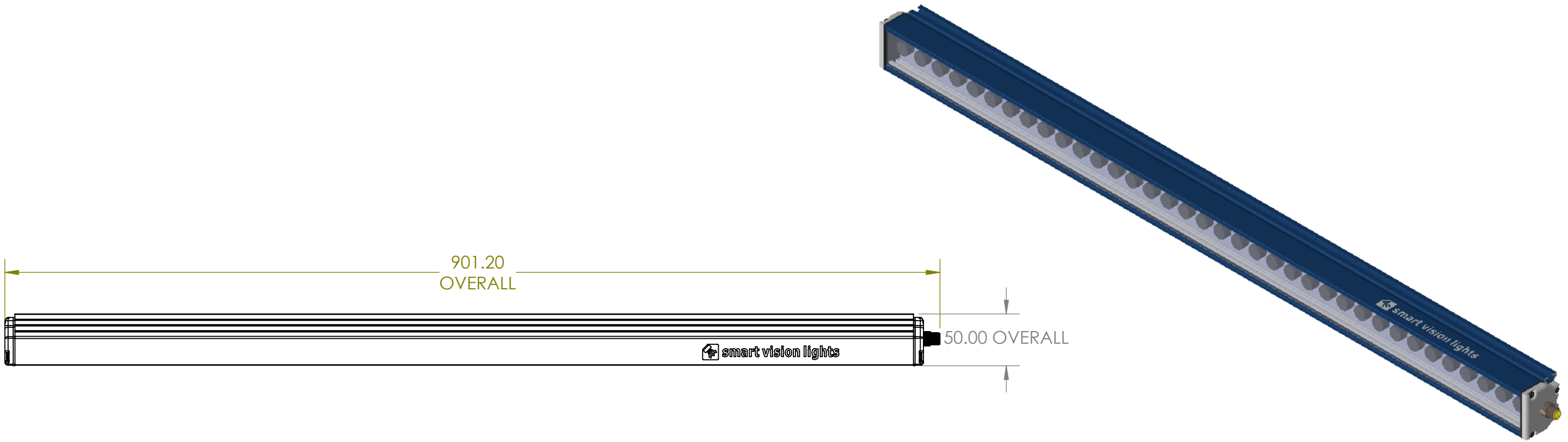
3

2

1

B

B



A

A

**PROPRIETARY AND CONFIDENTIAL**  
 THE INFORMATION CONTAINED IN THIS DRAWING IS THE SOLE PROPERTY OF SmartVisionLights. ANY REPRODUCTION IN PART OR AS A WHOLE WITHOUT THE WRITTEN PERMISSION OF SmartVisionLights IS PROHIBITED.

UNLESS OTHERWISE SPECIFIED:  
 DIMENSIONS ARE IN MM  
 TOLERANCES:  
 FRACTIONAL ±  
 ANGULAR: BEND ± 3°  
 ONE PLACE DECIMAL ±.1  
 TWO PLACE DECIMAL ±.13  
 THREE PLACE DECIMAL ±.127  
 INTERPRET GEOMETRIC TOLERANCING PER:  
 MATERIAL  
 FINISH  
 DO NOT SCALE DRAWING

NAME	DATE
DRAWN RH	4/14/2022
CHECKED	4/14/2022
ENG APPR.	4/14/2022
MFG APPR.	4/14/2022
Q.A.	
COMMENTS: UNITS ARE IN MILLIMETERS	

SVL PART NO.		
LSR 900		
SIZE	ENG DWG NO.	REV
<b>B</b>	LSR 900	<b>1</b>
SCALE: 1:5	WEIGHT:	SHEET 1 OF 1

4

3

2

1

4

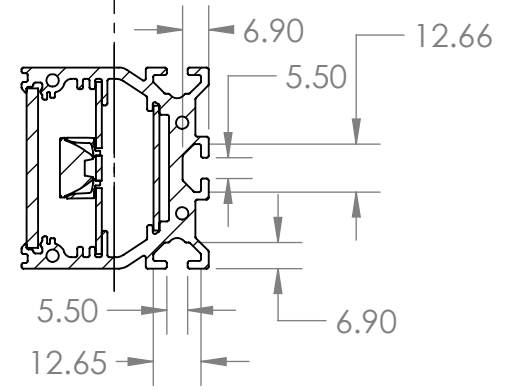
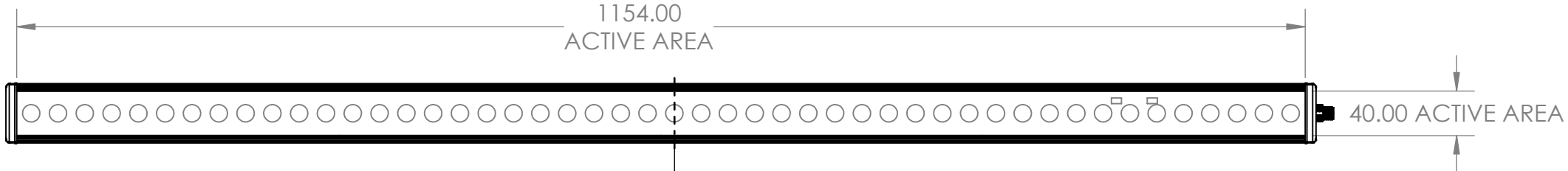
3

2

1

B

B



T-SLOT DETAIL  
SCALE 1:2

**PROPRIETARY AND CONFIDENTIAL**  
THE INFORMATION CONTAINED IN THIS DRAWING IS THE SOLE PROPERTY OF SmartVisionLights. ANY REPRODUCTION IN PART OR AS A WHOLE WITHOUT THE WRITTEN PERMISSION OF SmartVisionLights IS PROHIBITED.

UNLESS OTHERWISE SPECIFIED:  
DIMENSIONS ARE IN MM  
TOLERANCES:  
FRACTIONAL ±  
ANGULAR: BEND ± 3°  
ONE PLACE DECIMAL ±.1  
TWO PLACE DECIMAL ±.13  
THREE PLACE DECIMAL ±.127  
INTERPRET GEOMETRIC TOLERANCING PER:  
MATERIAL  
FINISH  
DO NOT SCALE DRAWING

	NAME	DATE
DRAWN	RH	4/14/2022
CHECKED		4/14/2022
ENG APPR.		4/14/2022
MFG APPR.		4/14/2022
Q.A.		
COMMENTS: <b>UNITS ARE IN MILLIMETERS</b>		

SVL PART NO.		
<b>LSR 1200</b>		
SIZE	ENG DWG NO.	REV
<b>B</b>	LSR 1200	<b>1</b>
SCALE: 1:10 WEIGHT:		SHEET 1 OF 1

4

3

2

1

A

A