

4

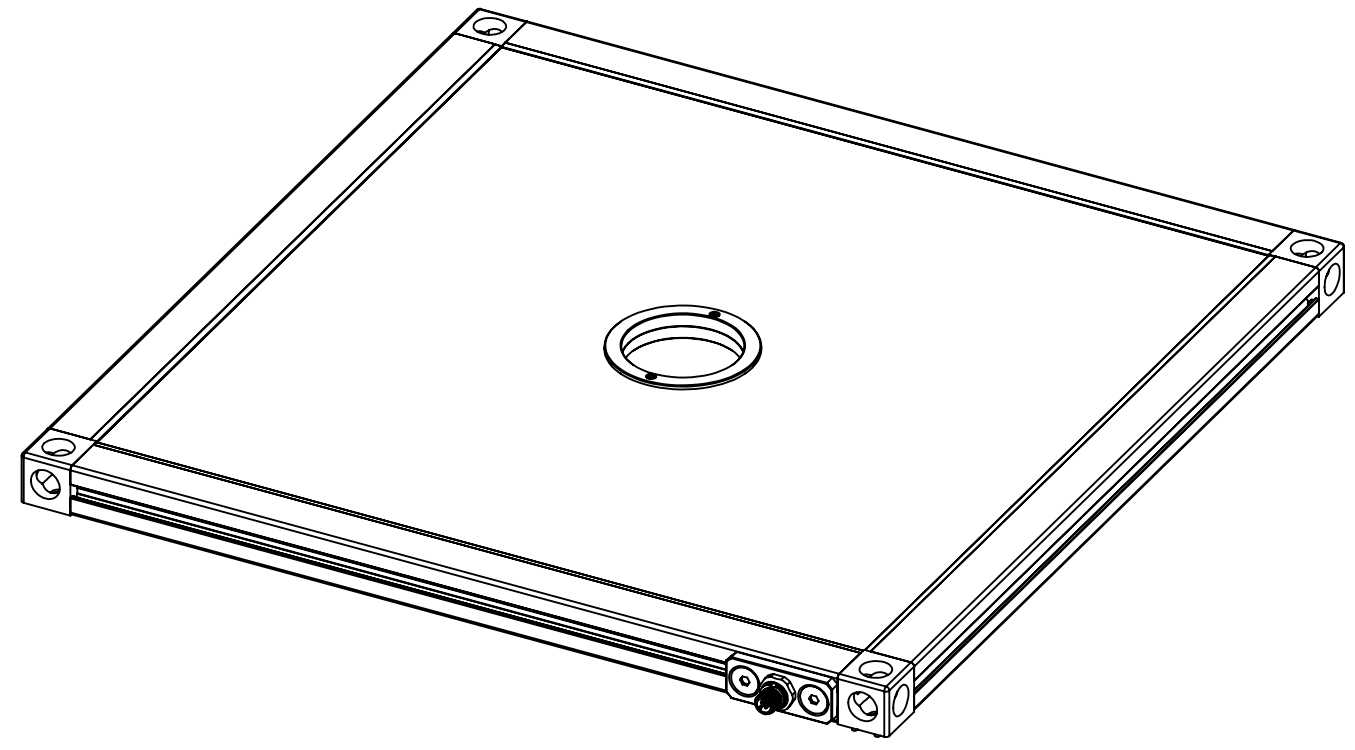
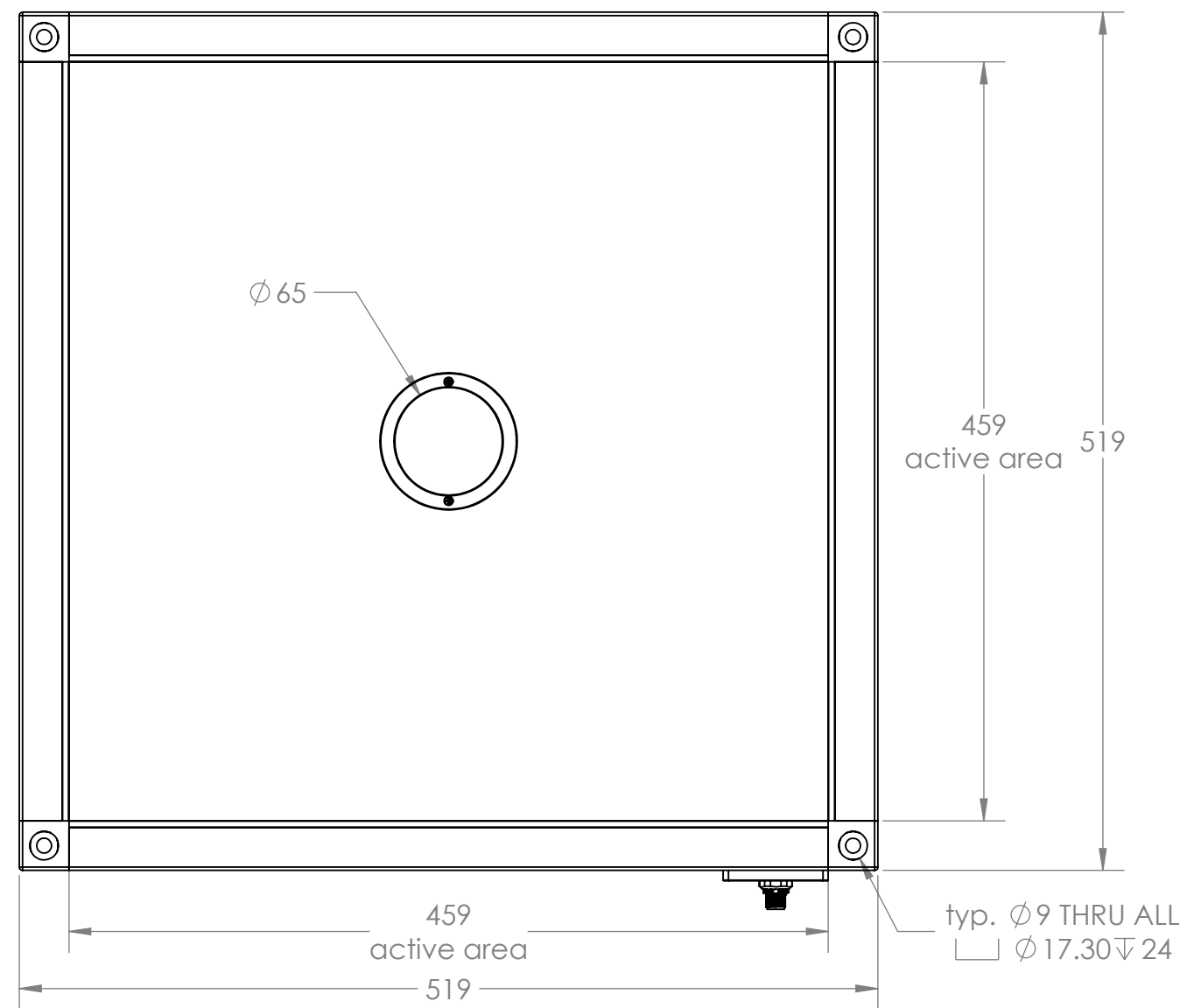
3

2

1

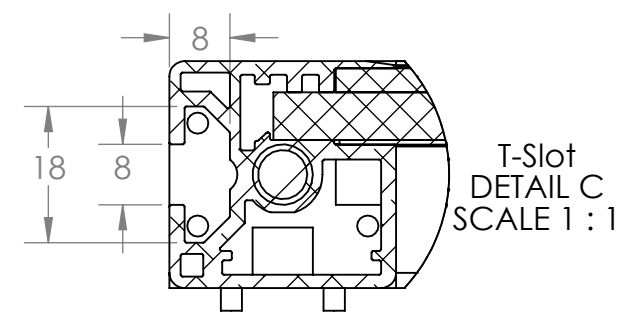
B

B



A

A



UNLESS OTHERWISE SPECIFIED:

DIMENSIONS ARE IN MM	NAME	DATE
TOLERANCES:	DRAWN	ASU 9/2/2016
FRACTIONAL $\pm$	CHECKED	MP 9/2/2016
ANGULAR: MACH $\pm$ BEND $\pm$	ENG APPR.	MP 9/2/2016
TWO PLACE DECIMAL $\pm .127$	MFG APPR.	MP 9/2/2016
THREE PLACE DECIMAL $\pm .127$	Q.A.	
INTERPRET GEOMETRIC TOLERANCING PER:	COMMENTS:	
MATERIAL		
FINISH		
DO NOT SCALE DRAWING		

**PROPRIETARY AND CONFIDENTIAL**  
 THE INFORMATION CONTAINED IN THIS DRAWING IS THE SOLE PROPERTY OF SmartVisionLights. ANY REPRODUCTION IN PART OR AS A WHOLE WITHOUT THE WRITTEN PERMISSION OF SmartVisionLights IS PROHIBITED.

**UNITS ARE IN MILLIMETERS**



TITLE:  
**SmartVisionLights.com**

SIZE	DWG. NO.	REV
<b>B</b>	LLPX-H65 459x459	<b>1</b>
SCALE: 1:4	WEIGHT:	SHEET 1 OF 1