

4

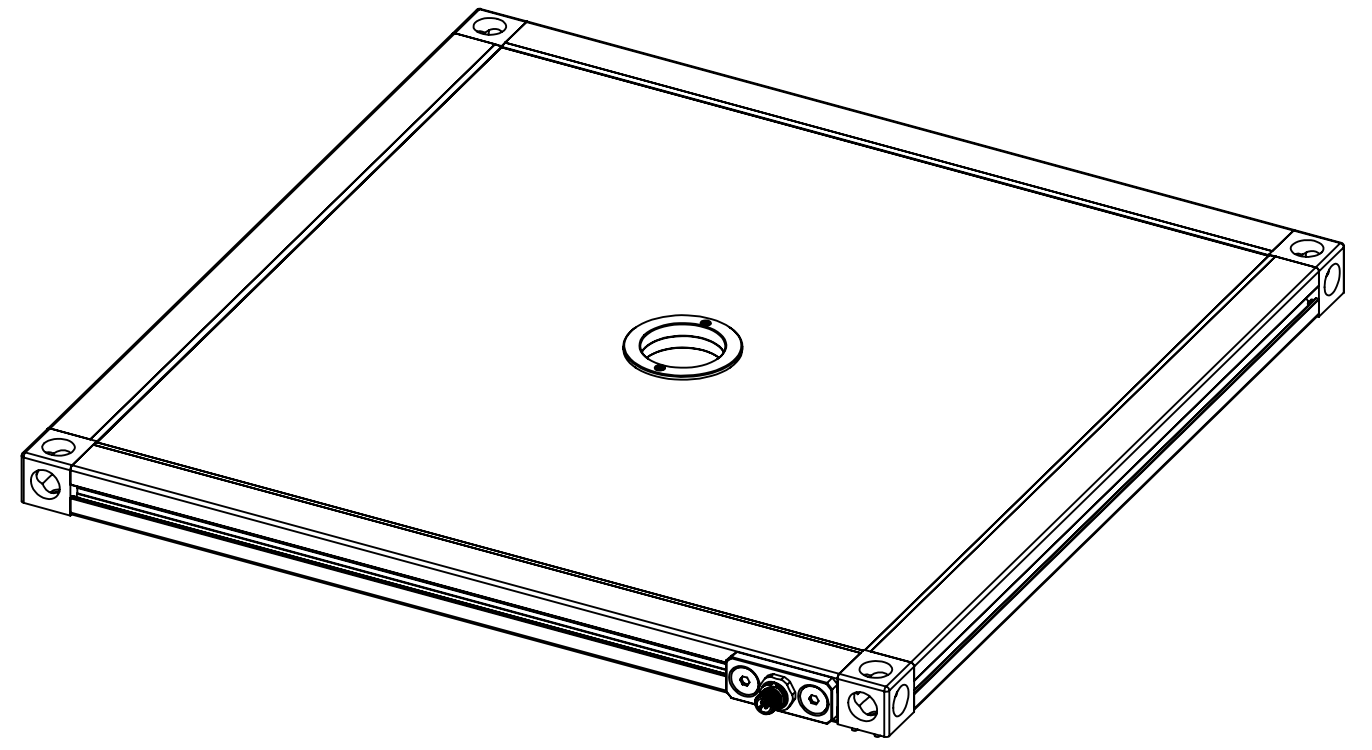
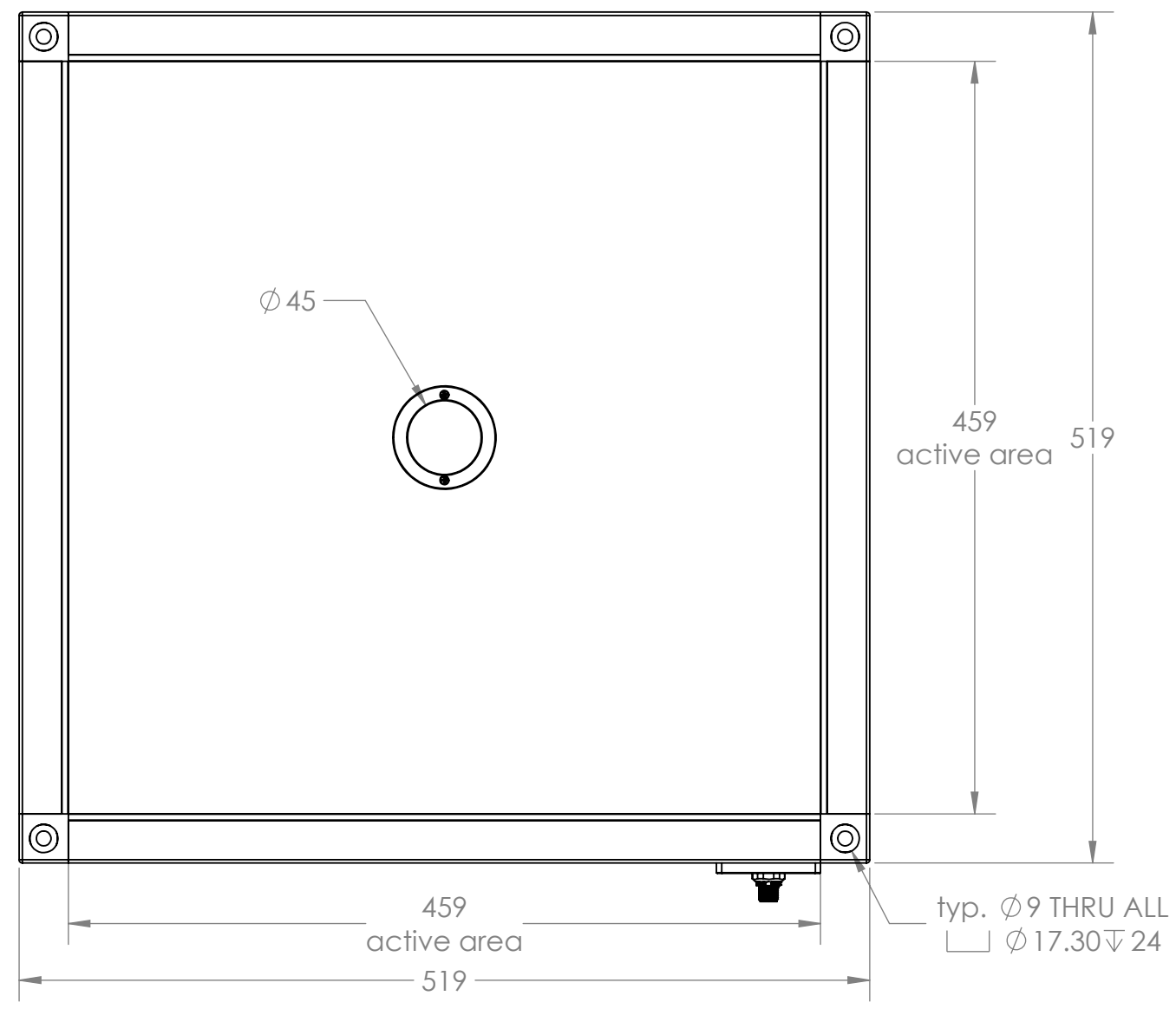
3

2

1

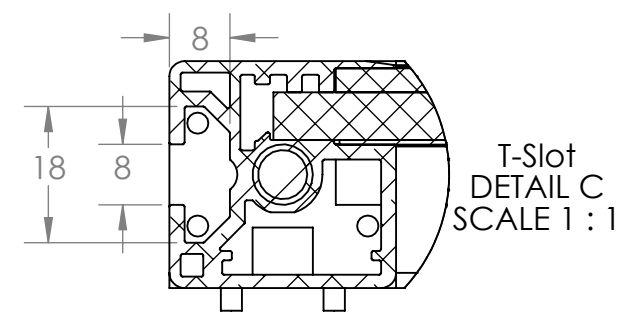
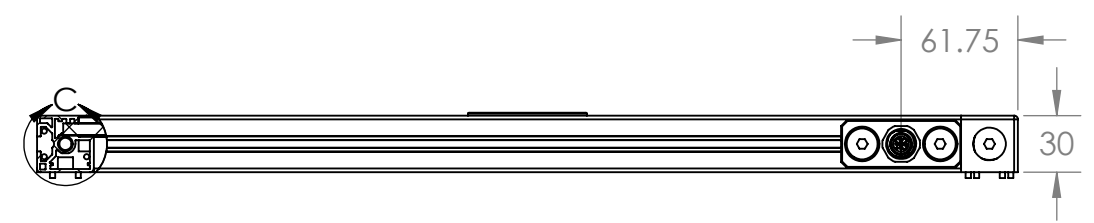
B

B



A

A



4

3

2

1

UNLESS OTHERWISE SPECIFIED:

DIMENSIONS ARE IN MM	NAME	DATE
TOLERANCES:	DRAWN	ASU 9/2/2016
FRACTIONAL ±	CHECKED	MP 9/2/2016
ANGULAR: MACH ± BEND ±	ENG APPR.	MP 9/2/2016
TWO PLACE DECIMAL ±.127	MFG APPR.	MP 9/2/2016
THREE PLACE DECIMAL ±.127	Q.A.	
INTERPRET GEOMETRIC TOLERANCING PER:	COMMENTS:	
MATERIAL		
FINISH		
DO NOT SCALE DRAWING		

smart vision lights

TITLE:
SmartVisionLights.com

SIZE	DWG. NO.	REV
B	LLPX-H45 459x459	1
SCALE: 1:4	WEIGHT:	SHEET 1 OF 1

PROPRIETARY AND CONFIDENTIAL
THE INFORMATION CONTAINED IN THIS DRAWING IS THE SOLE PROPERTY OF SmartVisionLights. ANY REPRODUCTION IN PART OR AS A WHOLE WITHOUT THE WRITTEN PERMISSION OF SmartVisionLights IS PROHIBITED.

UNITS ARE IN MILLIMETERS