

4

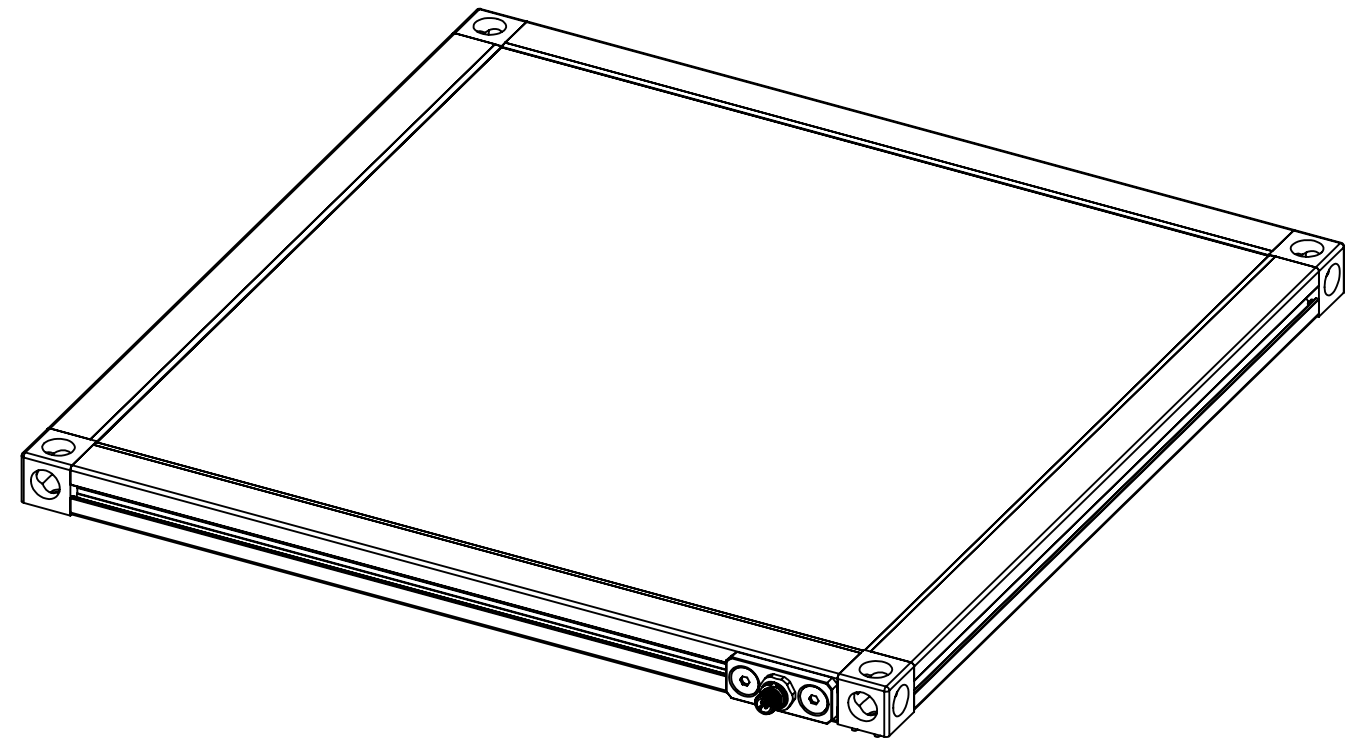
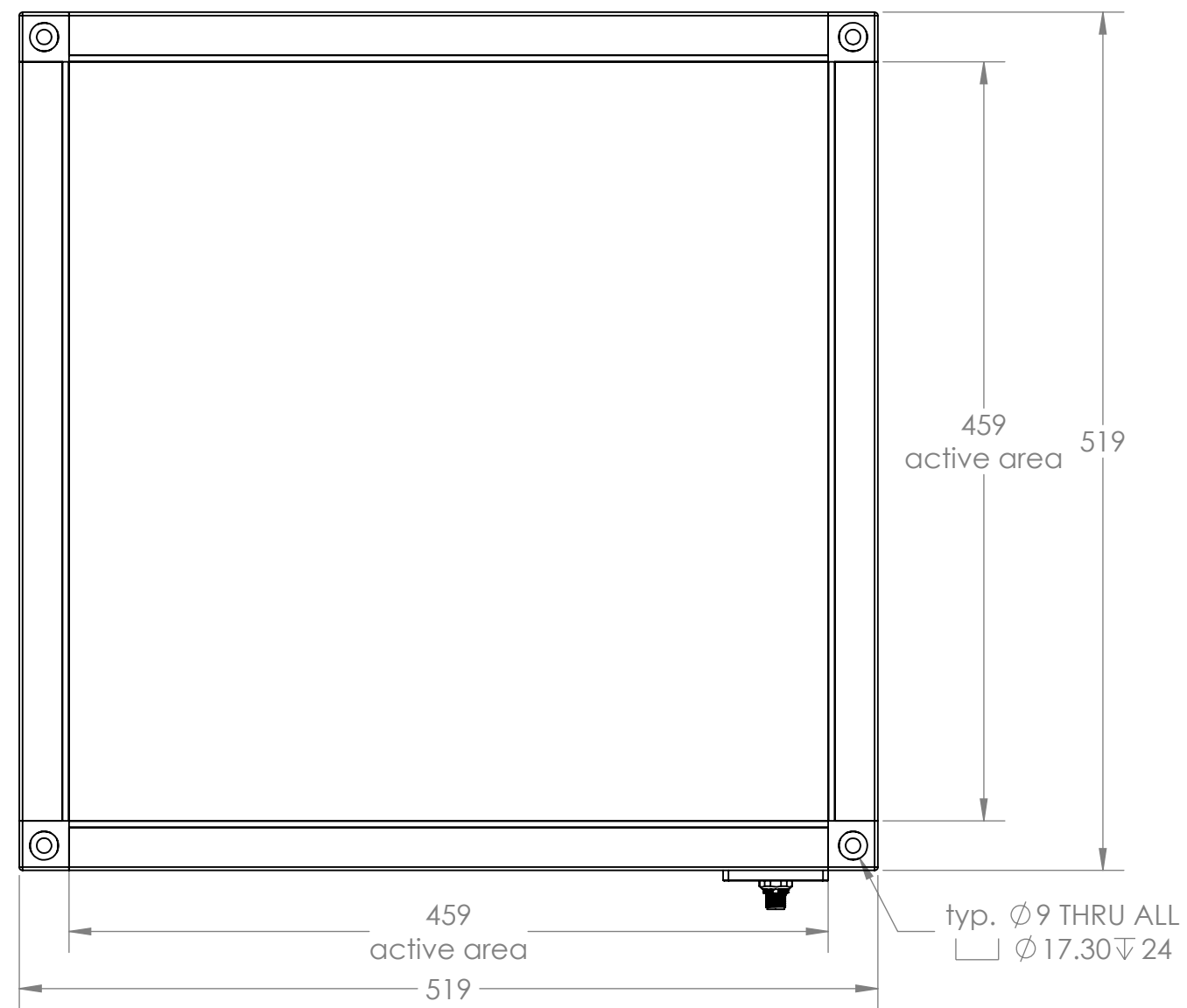
3

2

1

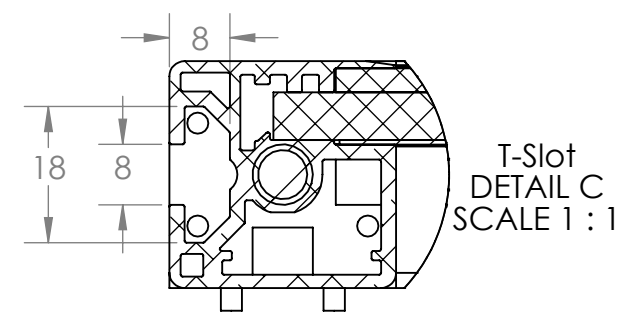
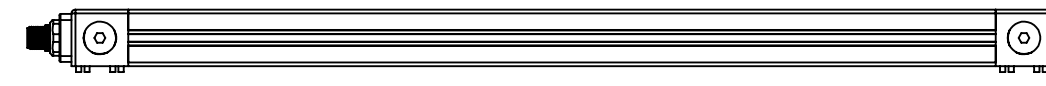
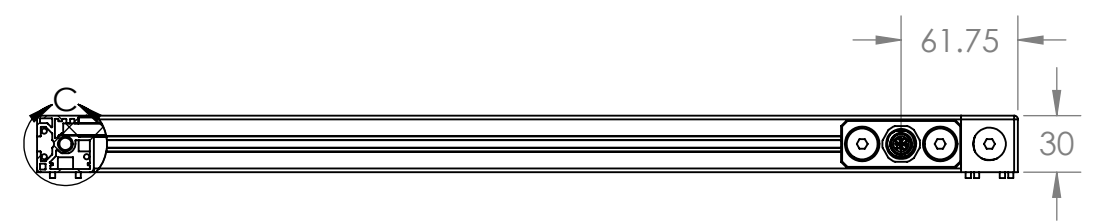
B

B



A

A



UNLESS OTHERWISE SPECIFIED:		NAME	DATE	
DIMENSIONS ARE IN MM		DRAWN	ASU	
TOLERANCES:		CHECKED	MP	8/24/2016
FRACTIONAL \pm		ENG APPR.	MP	8/24/2016
ANGULAR: BEND \pm		MFG APPR.	MP	8/24/2016
TWO PLACE DECIMAL $\pm .127$		Q.A.		
THREE PLACE DECIMAL $\pm .127$		COMMENTS:		
INTERPRET GEOMETRIC TOLERANCING PER:		UNITS ARE IN MILLIMETERS		
MATERIAL				
FINISH				
DO NOT SCALE DRAWING		SIZE	DWG. NO.	REV
		B	LLPX 459x459	1
		SCALE: 1:4	WEIGHT:	SHEET 1 OF 1

PROPRIETARY AND CONFIDENTIAL
 THE INFORMATION CONTAINED IN THIS DRAWING IS THE SOLE PROPERTY OF SmartVisionLights. ANY REPRODUCTION IN PART OR AS A WHOLE WITHOUT THE WRITTEN PERMISSION OF SmartVisionLights IS PROHIBITED.

4

3

2

1