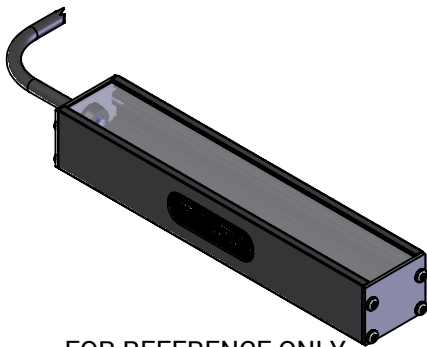
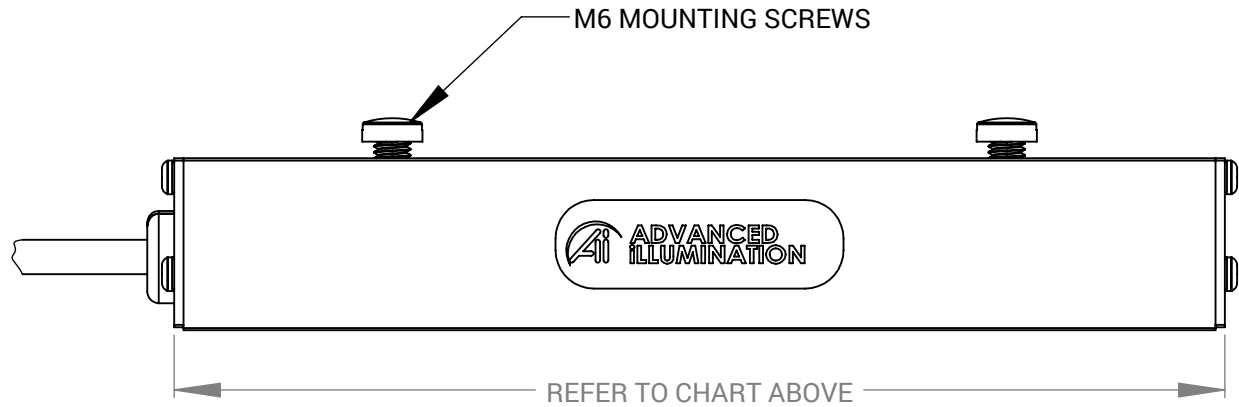
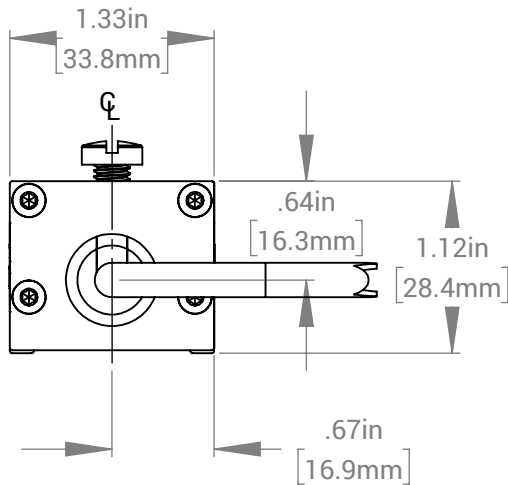
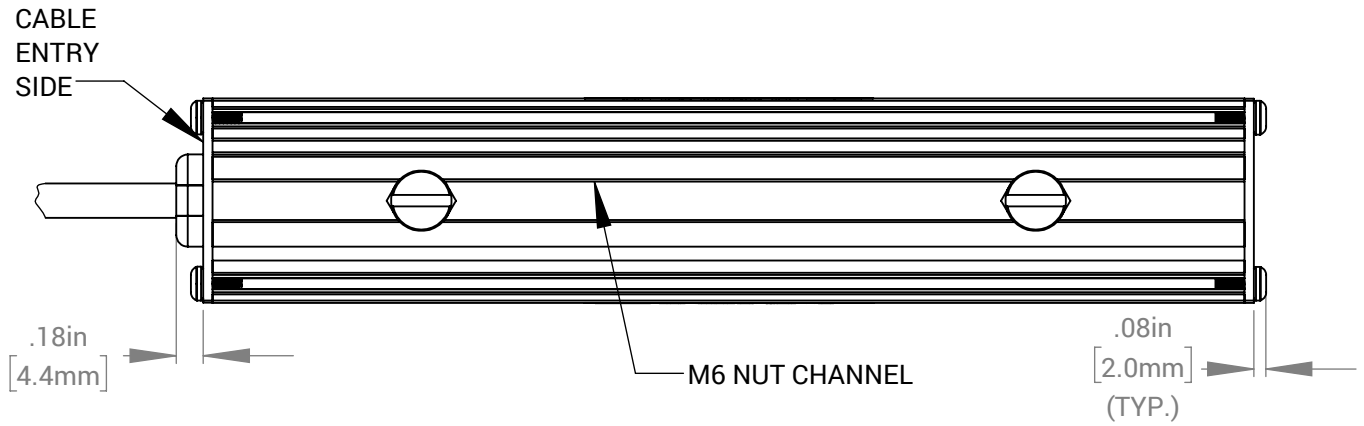


LL174 LENGTH MATRIX

PART #	LENGTH IN INCHES (mm)
LL17406	6.84 (173.7 mm)
LL17412	12.84 (326.1 mm)
LL17418	18.84 (478.6 mm)
LL17424	24.84 (630.9 mm)
LL17430	30.84 (783.4 mm)
LL17436	36.84 (935.8 mm)
LL17442	42.84 (1088.2 mm)
LL17448	48.84 (1240.6 mm)
LL17454	54.84 (1392.9 mm)
LL17460	60.84 (1545.3 mm)
LL17466	66.84 (1697.7 mm)
LL17472	72.84 (1850.1 mm)
LL17478	78.84 (2002.5 mm)
LL17484	84.84 (2154.9 mm)

REVISIONS			
REV.	DESCRIPTION	DATE	DCN NO
-	FOR QUOTING PURPOSES ONLY		



FOR REFERENCE ONLY

PROPRIETARY AND CONFIDENTIAL
 THESE DRAWINGS AND SPECIFICATIONS ARE THE EXCLUSIVE PROPERTIES OF ADVANCED ILLUMINATION INCORPORATED ISSUED IN STRICT CONFIDENCE AND SHALL NOT, WITHOUT THE PRIOR WRITTEN PERMISSION OF ADVANCED ILLUMINATION INC BE REPRODUCED, COPIED OR USED FOR ANY PURPOSE WHATSOEVER EXCEPT THE MANUFACTURE OF ARTICLES FOR ADVANCED ILLUMINATION INC

6" UNIT WEIGHT: 3.76 lbs

CUT USING:		UNLESS OTHERWISE SPECIFIED:	DATE	NAME	 440 STATE GARAGE ROAD, ROCHESTER, VERMONT 05767
		SURFACE SHOULD BE FREE OF SCRATCHES, BURRS, AND DENTS	25-FEB-21	Ai	
		DIMENSIONS ARE IN: INCHES	CHECKED	--	TITLE: DRAWING, INSTALLATION, LL174 (NONSEALED)
		<u>TOLERANCES</u>	APPROVED	--	
		FRACTIONAL: 1/16	MATERIAL		SIZE DWG. NO. REV A LL174 (NONSEALED) -
		ANGULAR: MACH ± 1 BEND ± 1	FINISH		
NEXT ASSY	USED ON	TWO PLACE DECIMAL ± .010			SCALE: NTS C CODE: - SHEET 1 OF 1
		THREE PLACE DECIMAL ± .005			
APPLICATION		MAKE FROM			