

4

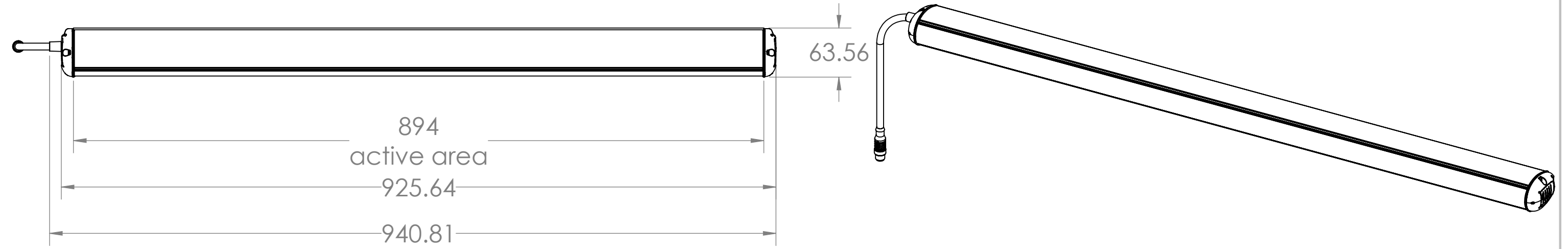
3

2

1

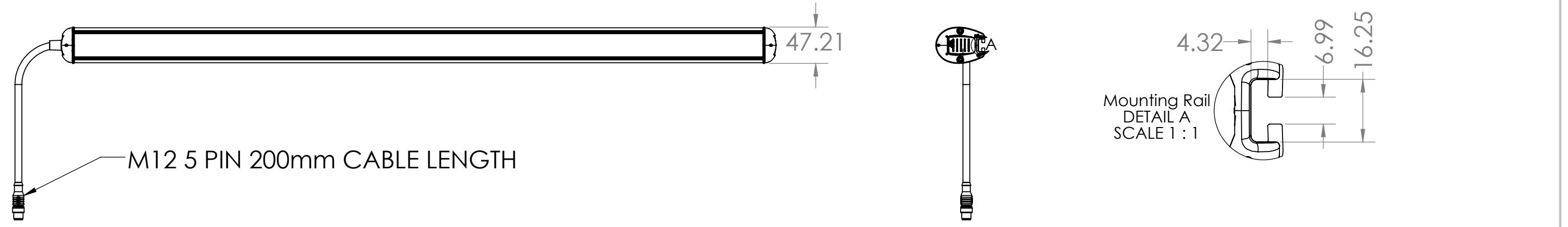
B

B



A

A



UNLESS OTHERWISE SPECIFIED:		NAME	DATE	
DIMENSIONS ARE IN MM		DRAWN	ASU	
TOLERANCES:		CHECKED		TITLE:
FRACTIONAL ±		ENG APPR.		SmartVisionLights.com
ANGULAR: MACH ± BEND ±		MFG APPR.		
TWO PLACE DECIMAL ±		Q.A.		
THREE PLACE DECIMAL ±		COMMENTS:		
INTERPRET GEOMETRIC TOLERANCING PER:		UNITS ARE IN MILLIMETERS		SIZE DWG. NO. REV
MATERIAL				B LE 900 1
FINISH				SCALE: 1:5 WEIGHT: SHEET 1 OF 1
DO NOT SCALE DRAWING				

PROPRIETARY AND CONFIDENTIAL
 THE INFORMATION CONTAINED IN THIS DRAWING IS THE SOLE PROPERTY OF SmartVisionLights. ANY REPRODUCTION IN PART OR AS A WHOLE WITHOUT THE WRITTEN PERMISSION OF SmartVisionLights IS PROHIBITED.

4

3

2

1