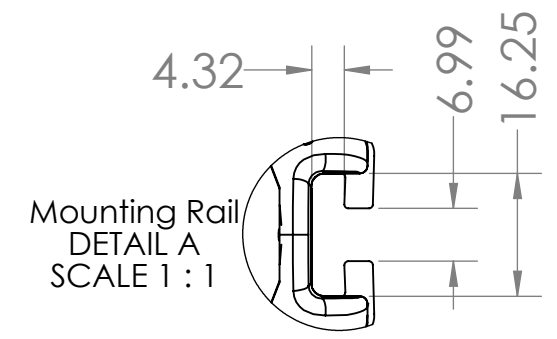
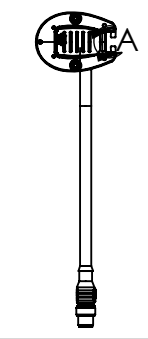
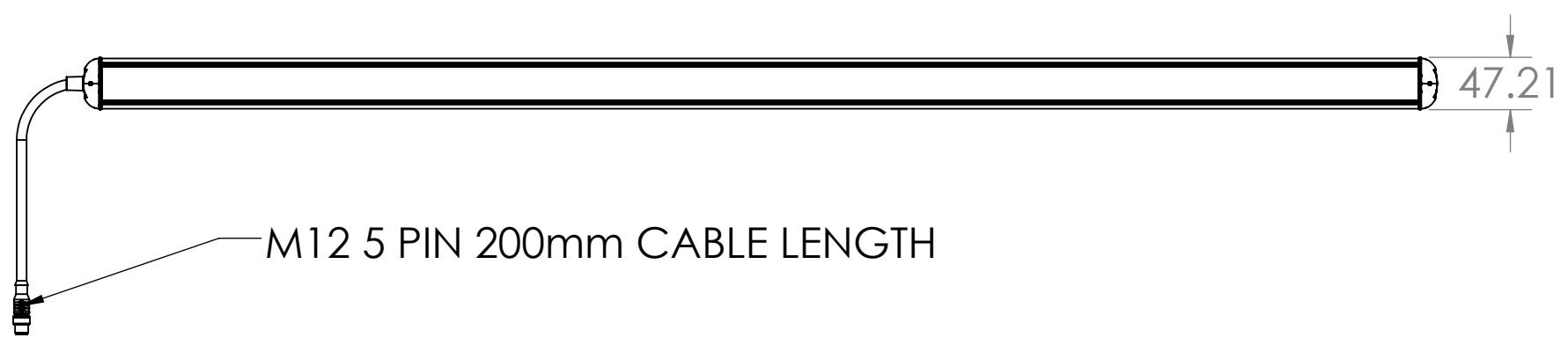
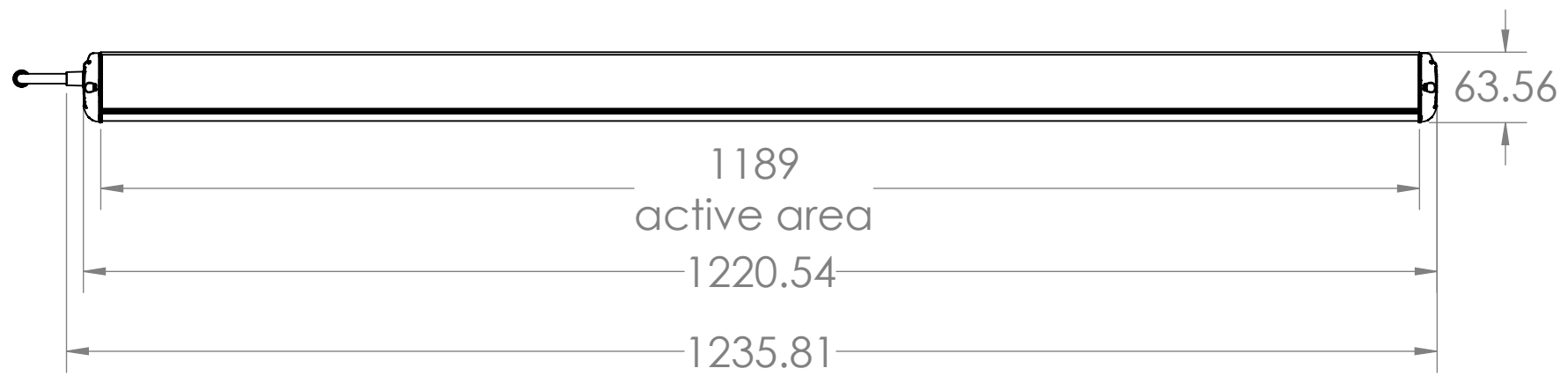
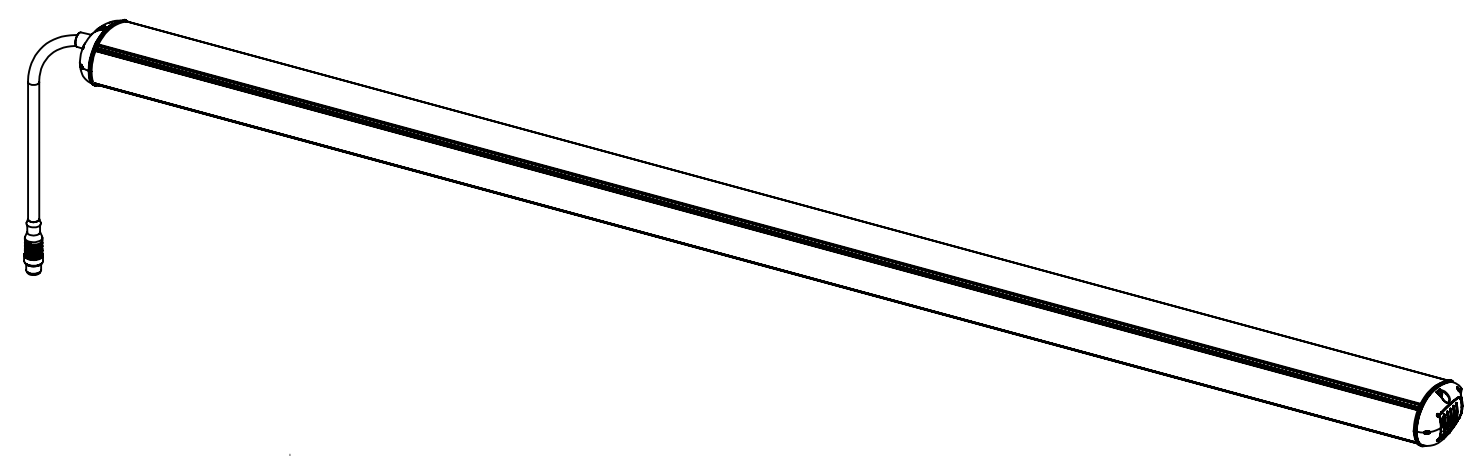


4

3

2

1



PROPRIETARY AND CONFIDENTIAL
 THE INFORMATION CONTAINED IN THIS DRAWING IS THE SOLE PROPERTY OF SmartVisionLights. ANY REPRODUCTION IN PART OR AS A WHOLE WITHOUT THE WRITTEN PERMISSION OF SmartVisionLights IS PROHIBITED.

UNLESS OTHERWISE SPECIFIED:
 DIMENSIONS ARE IN MM
 TOLERANCES:
 FRACTIONAL ±
 ANGULAR: MACH ± BEND ±
 TWO PLACE DECIMAL ±
 THREE PLACE DECIMAL ±
 INTERPRET GEOMETRIC TOLERANCING PER:
 MATERIAL
 FINISH
 DO NOT SCALE DRAWING

DRAWN	ASU	5/15/2015
CHECKED		
ENG APPR.		
MFG APPR.		
Q.A.		
COMMENTS:		
UNITS ARE IN MILLIMETERS		

TITLE:		
SmartVisionLights.com		
SIZE	DWG. NO.	REV
B	LE 1200	1
SCALE: 1:6	WEIGHT:	SHEET 1 OF 1

4

3

2

1

B

B

A

A