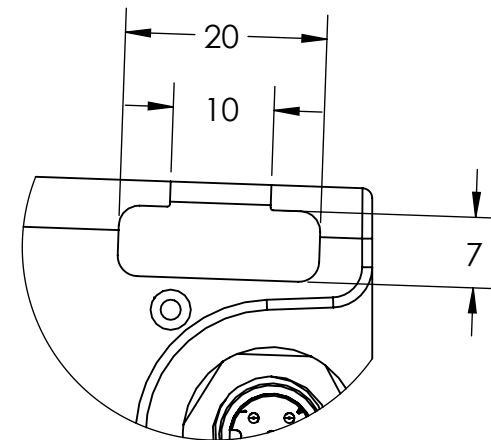
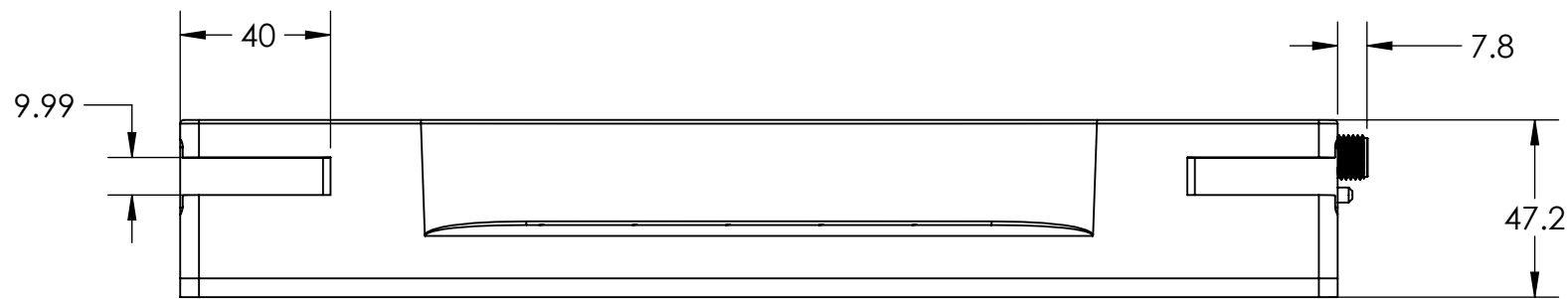
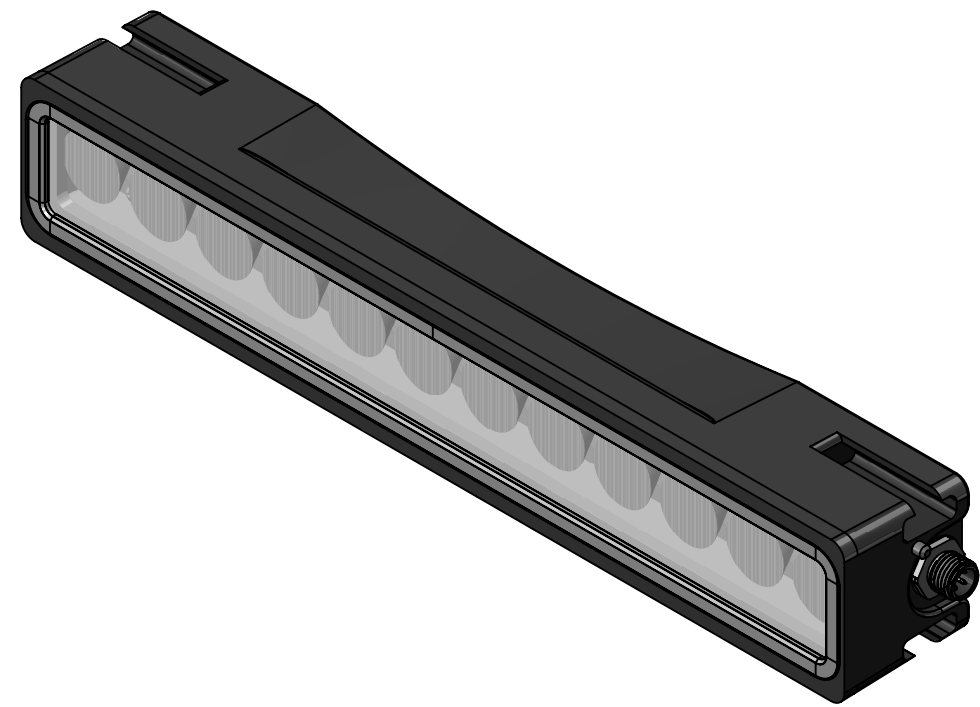
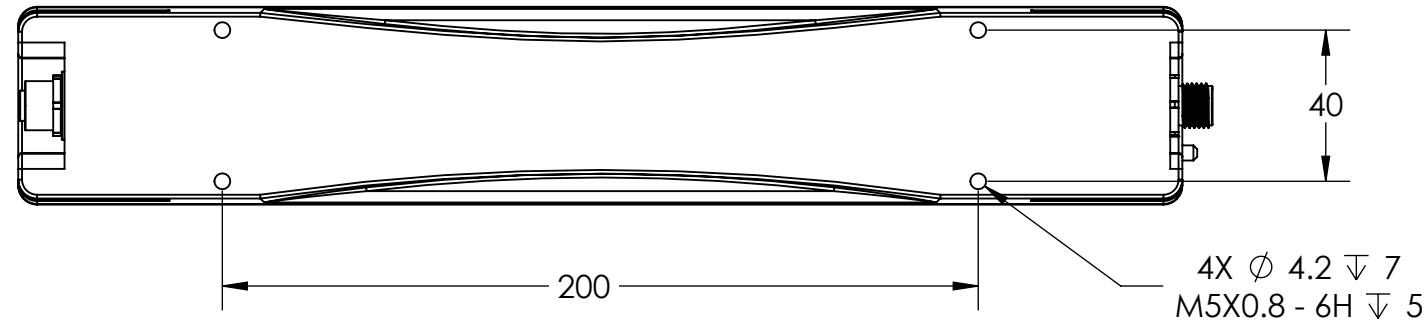


4

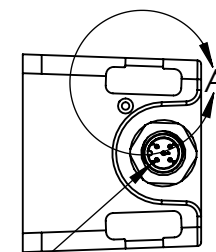
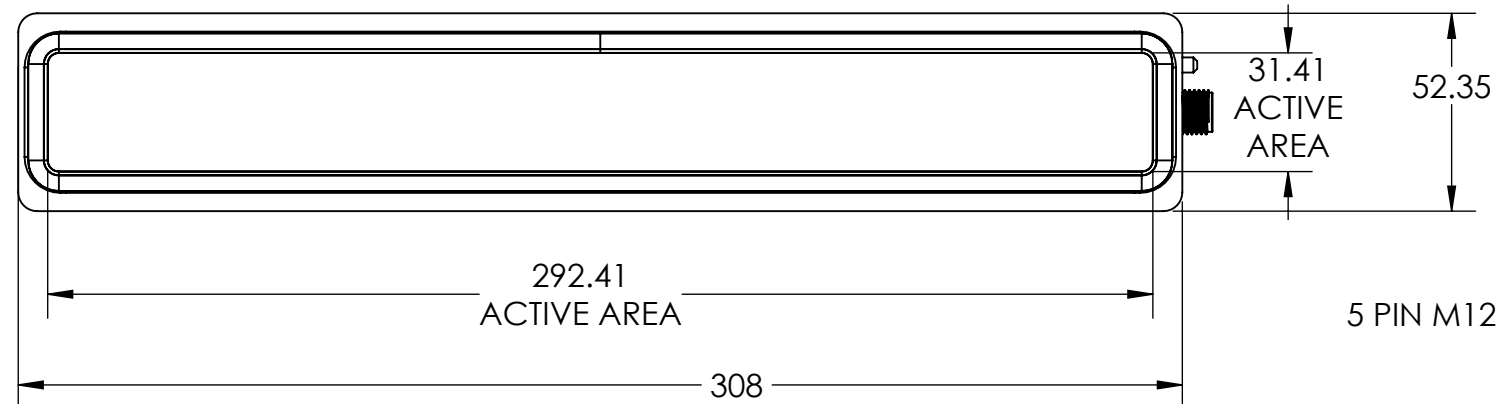
3

2

1



T-SLOT
DETAIL A
SCALE 4:3



5 PIN M12

UNLESS OTHERWISE SPECIFIED:		NAME	DATE
DIMENSIONS ARE IN MM		DRAWN	LS 3/22/2021
TOLERANCES:		CHECKED	3/22/2021
FRACTIONAL ±		ENG APPR.	3/22/2021
ANGULAR: BEND ±		MFG APPR.	3/22/2021
TWO PLACE DECIMAL ±		Q.A.	
THREE PLACE DECIMAL ±		COMMENTS:	
INTERPRET GEOMETRIC TOLERANCING PER:		UNITS ARE IN MILLIMETERS	
MATERIAL			
FINISH			
DO NOT SCALE DRAWING			

PROPRIETARY AND CONFIDENTIAL
THE INFORMATION CONTAINED IN THIS DRAWING IS THE SOLE PROPERTY OF SmartVisionLights. ANY REPRODUCTION IN PART OR AS A WHOLE WITHOUT THE WRITTEN PERMISSION OF SmartVisionLights IS PROHIBITED.

SVL PART NO. LCZE300		
SIZE B	ENG DWG NO. LCZE300	REV 1
SCALE: 1:2	WEIGHT:	SHEET 1 OF 1

4

3

2

1

B

B

A

A