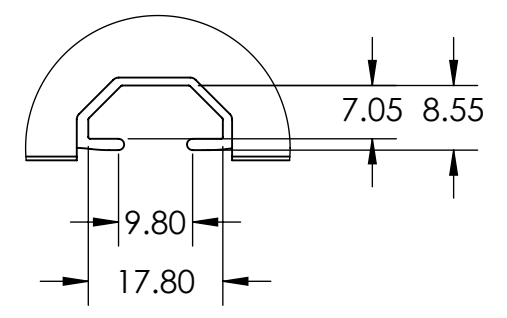
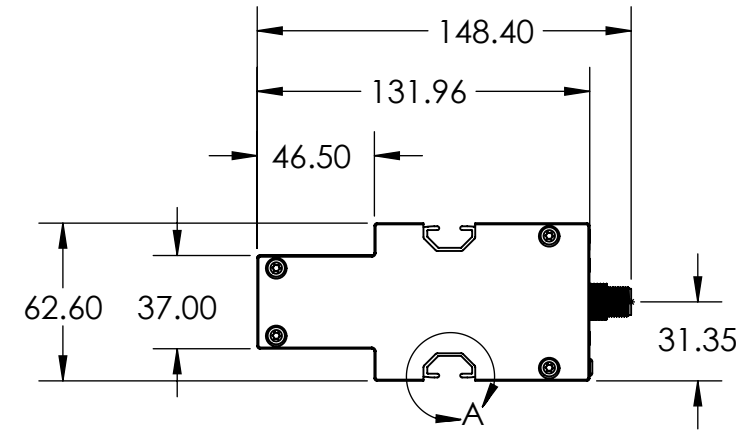
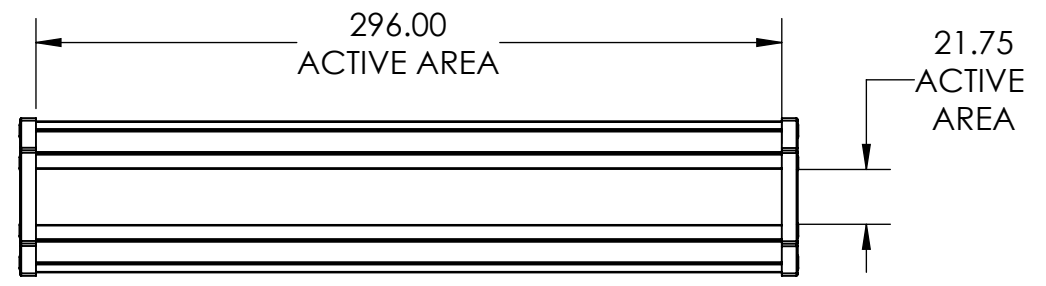
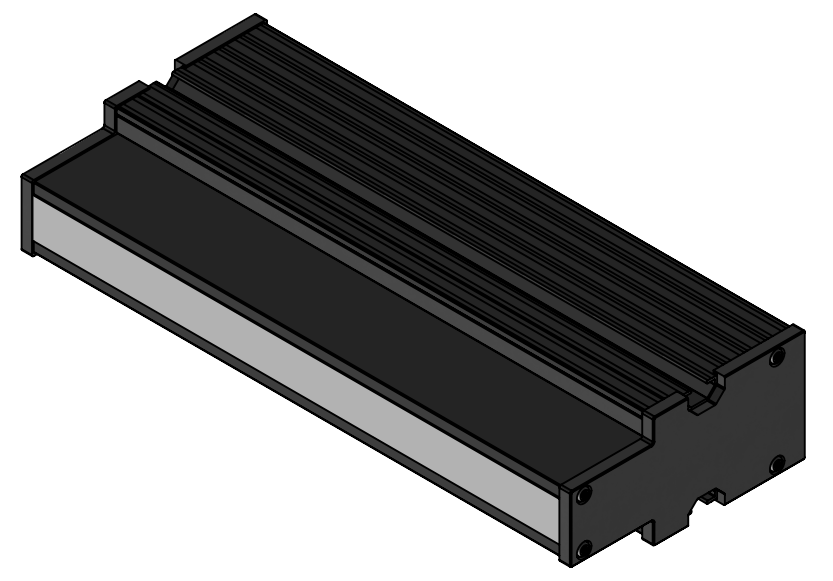
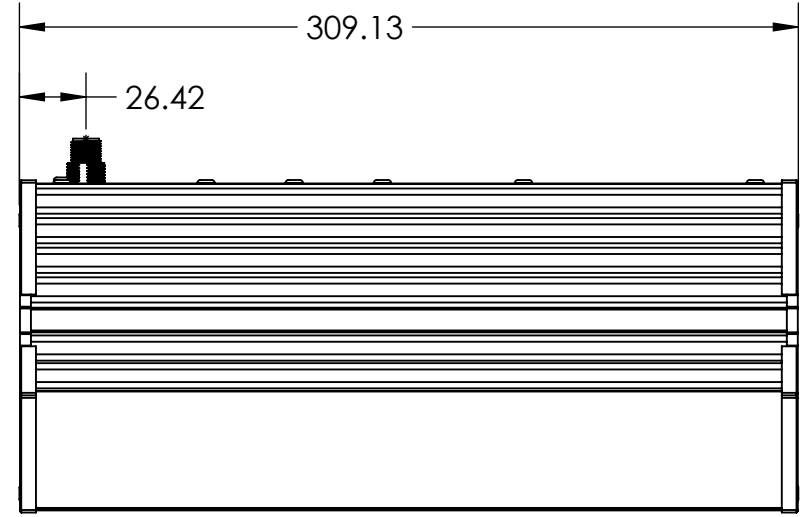


4

3

2

1



T-SLOT
DETAIL A
SCALE 1 : 1

UNLESS OTHERWISE SPECIFIED:		NAME	DATE
DIMENSIONS ARE IN MM		DRAWN	LS 2/16/2021
TOLERANCES:		CHECKED	2/16/2021
FRACTIONAL ±		ENG APPR.	2/16/2021
ANGULAR: BEND ± 3°		MFG APPR.	2/16/2021
ONE PLACE DECIMAL ±.1		Q.A.	
TWO PLACE DECIMAL ±.13		COMMENTS:	
THREE PLACE DECIMAL ±.127		UNITS ARE IN MILLIMETERS	
INTERPRET GEOMETRIC TOLERANCING PER:		SCALE: 1:3	
MATERIAL		WEIGHT:	
FINISH		SHEET 1 OF 1	
DO NOT SCALE DRAWING			

PROPRIETARY AND CONFIDENTIAL
THE INFORMATION CONTAINED IN THIS DRAWING IS THE SOLE PROPERTY OF SmartVisionLights. ANY REPRODUCTION IN PART OR AS A WHOLE WITHOUT THE WRITTEN PERMISSION OF SmartVisionLights IS PROHIBITED.

smart vision lights

SVL PART NO.

LCHPX-300mm

SIZE	ENG DWG NO.	REV
B	LCHPX	1

4

3

2

1

B

B

A

A

4

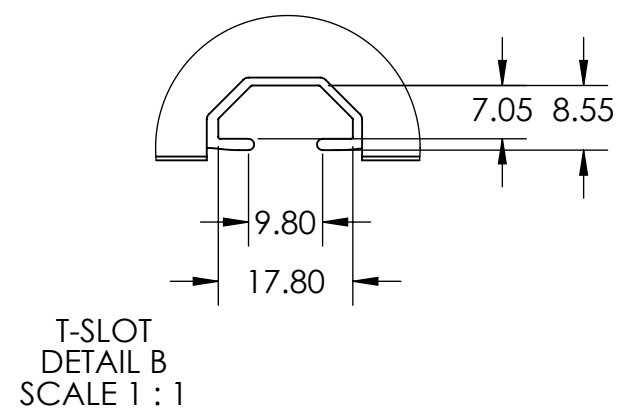
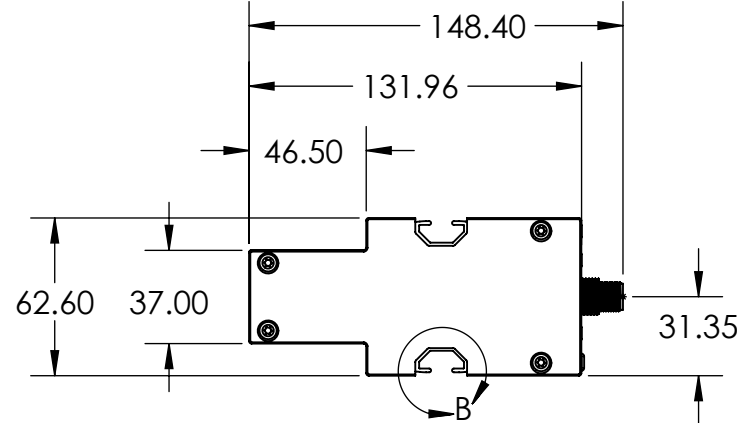
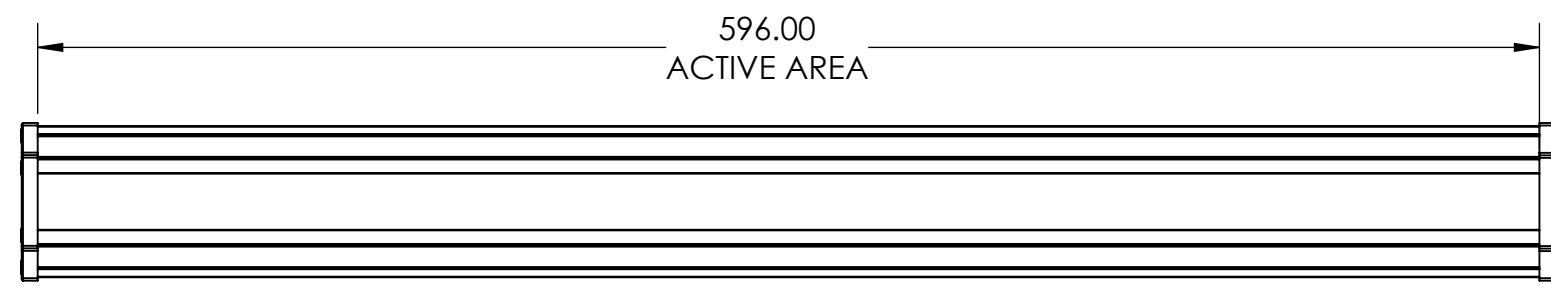
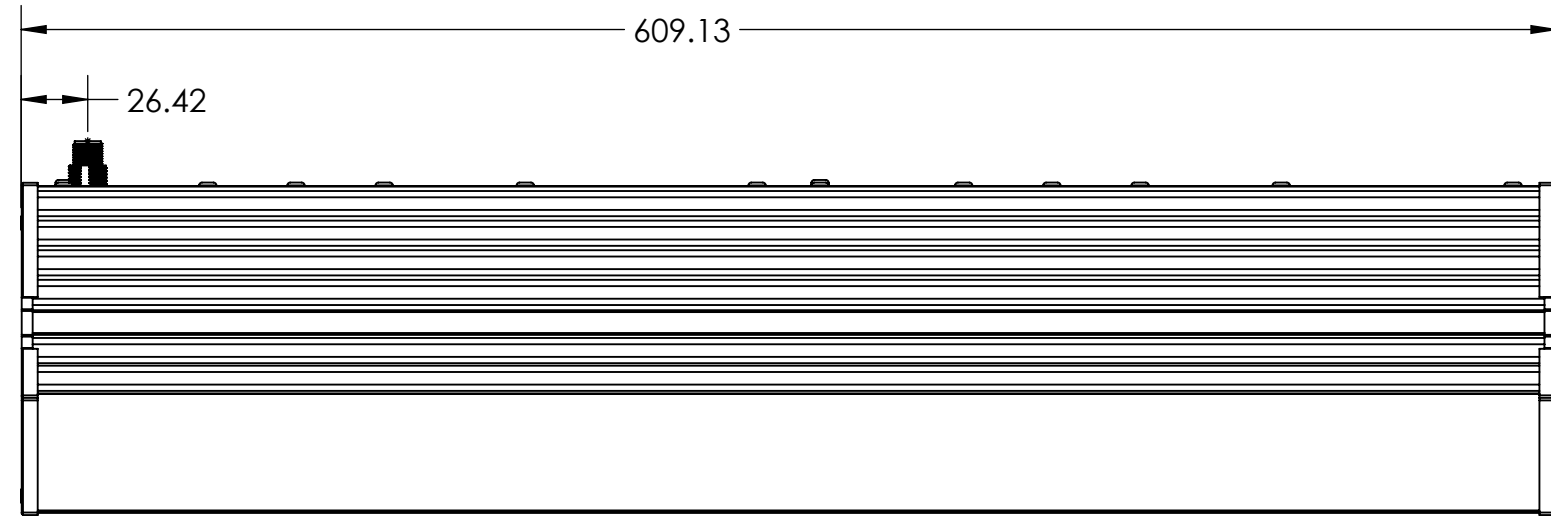
3

2

1

B

B



PROPRIETARY AND CONFIDENTIAL
 THE INFORMATION CONTAINED IN THIS DRAWING IS THE SOLE PROPERTY OF SmartVisionLights. ANY REPRODUCTION IN PART OR AS A WHOLE WITHOUT THE WRITTEN PERMISSION OF SmartVisionLights IS PROHIBITED.

UNLESS OTHERWISE SPECIFIED:		NAME	DATE
DIMENSIONS ARE IN MM		LS	2/16/2021
TOLERANCES:			2/16/2021
FRACTIONAL ±			2/16/2021
ANGULAR: BEND ± 3°			2/16/2021
ONE PLACE DECIMAL ±.1			2/16/2021
TWO PLACE DECIMAL ±.13			2/16/2021
THREE PLACE DECIMAL ±.127			2/16/2021
INTERPRET GEOMETRIC TOLERANCING PER:		Q.A.	
MATERIAL		COMMENTS:	
FINISH		UNITS ARE IN MILLIMETERS	
DO NOT SCALE DRAWING			

SVL PART NO.		
<h1>LCHPX-600mm</h1>		
SIZE	ENG DWG NO.	REV
B	LCHPX	1
SCALE: 1:3	WEIGHT:	SHEET 1 OF 1

4

3

2

1

A

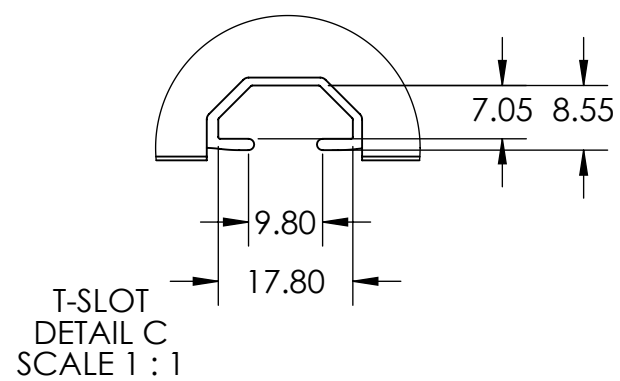
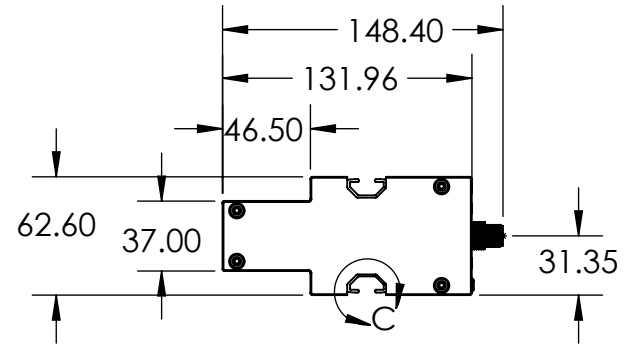
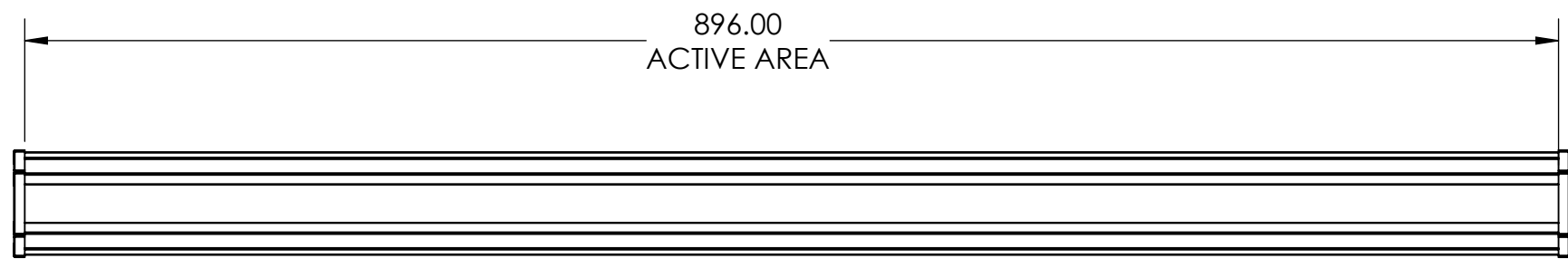
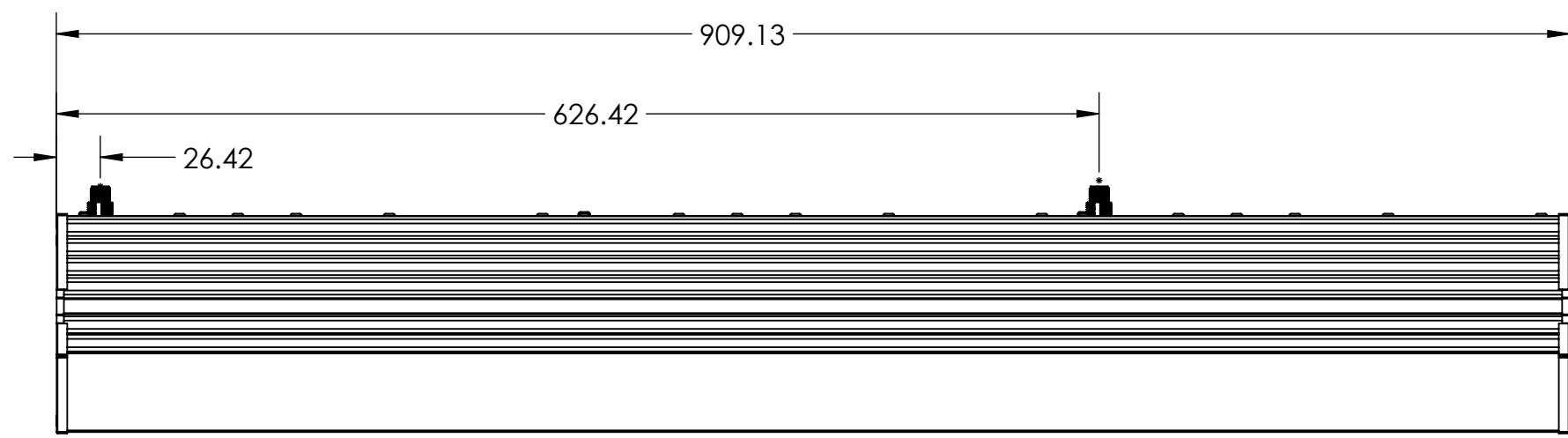
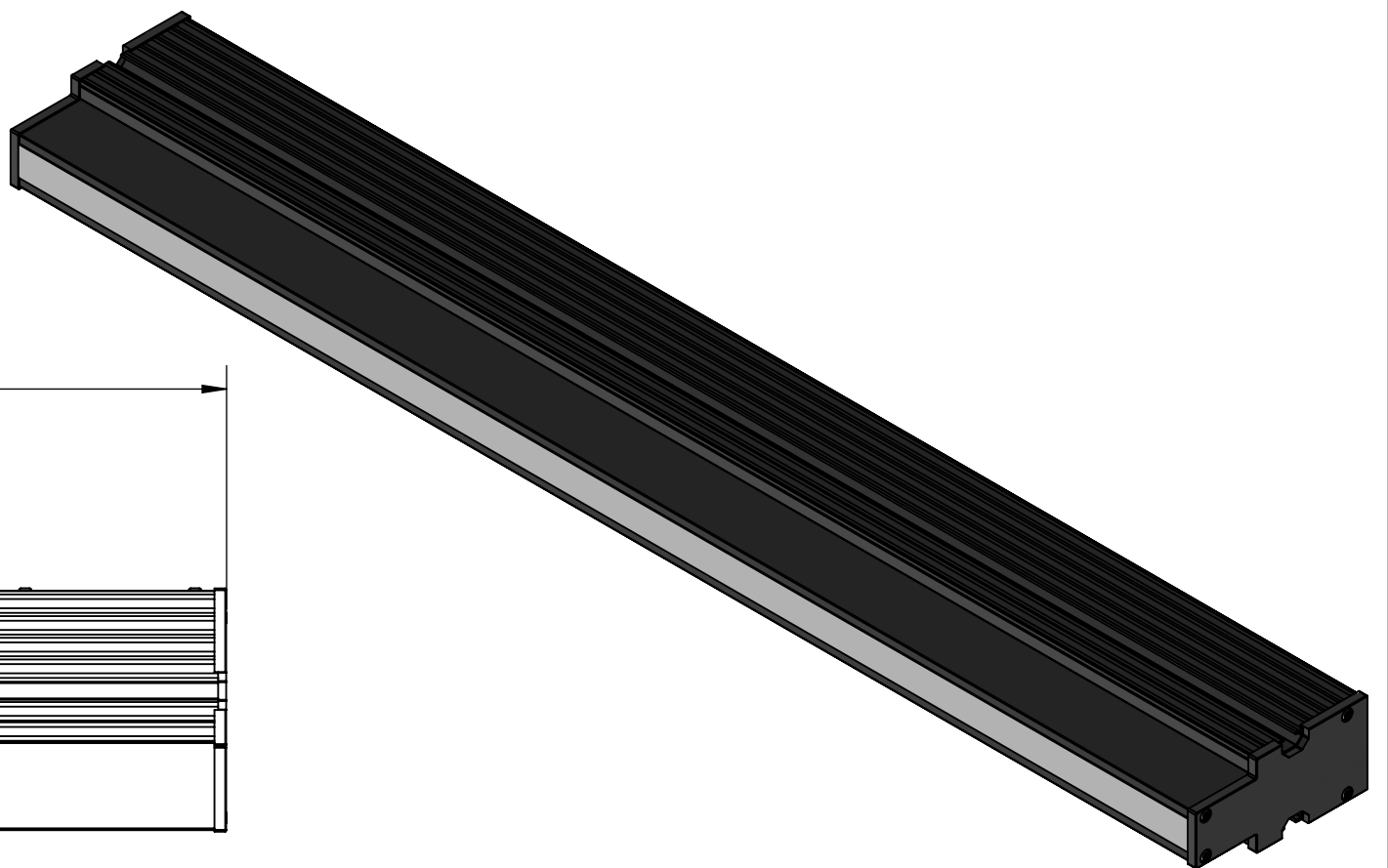
A

4

3

2

1



UNLESS OTHERWISE SPECIFIED:

DIMENSIONS ARE IN MM	NAME	DATE
TOLERANCES:	DRAWN	LS 2/16/2021
FRACTIONAL ±	CHECKED	2/16/2021
ANGULAR: BEND ± 3°	ENG APPR.	2/16/2021
ONE PLACE DECIMAL ±.1	MFG APPR.	2/16/2021
TWO PLACE DECIMAL ±.13	Q.A.	
THREE PLACE DECIMAL ±.127	COMMENTS:	
INTERPRET GEOMETRIC TOLERANCING PER:	UNITS ARE IN MILLIMETERS	
MATERIAL		
FINISH		
DO NOT SCALE DRAWING		

PROPRIETARY AND CONFIDENTIAL
 THE INFORMATION CONTAINED IN THIS DRAWING IS THE SOLE PROPERTY OF SmartVisionLights. ANY REPRODUCTION IN PART OR AS A WHOLE WITHOUT THE WRITTEN PERMISSION OF SmartVisionLights IS PROHIBITED.

SVL PART NO.		
LCHPX-900mm		
SIZE	ENG DWG NO.	REV
B	LCHPX	1
SCALE: 1:4	WEIGHT:	SHEET 1 OF 1

4

3

2

1

B

B

A

A

4

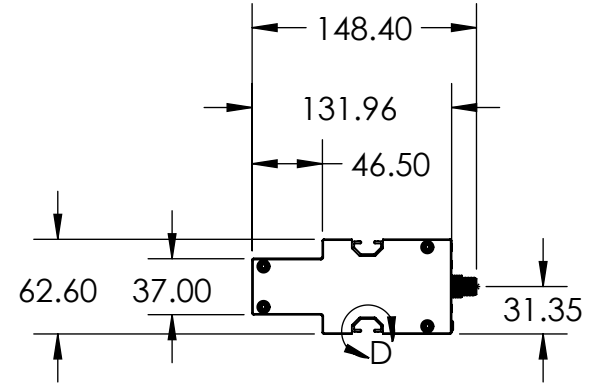
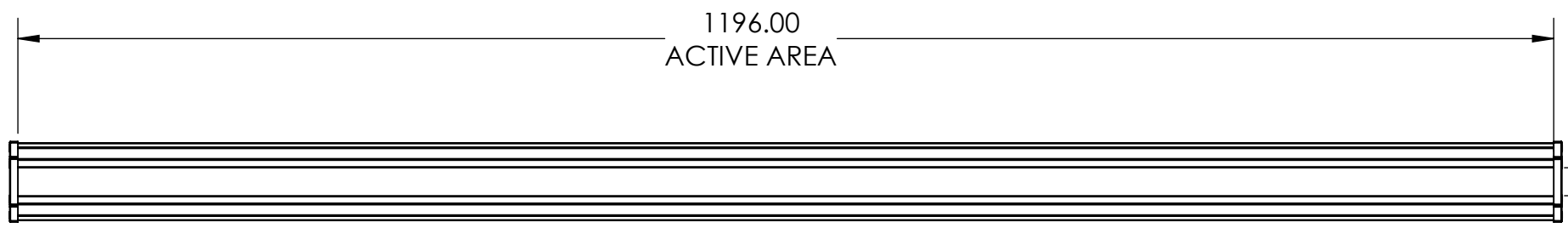
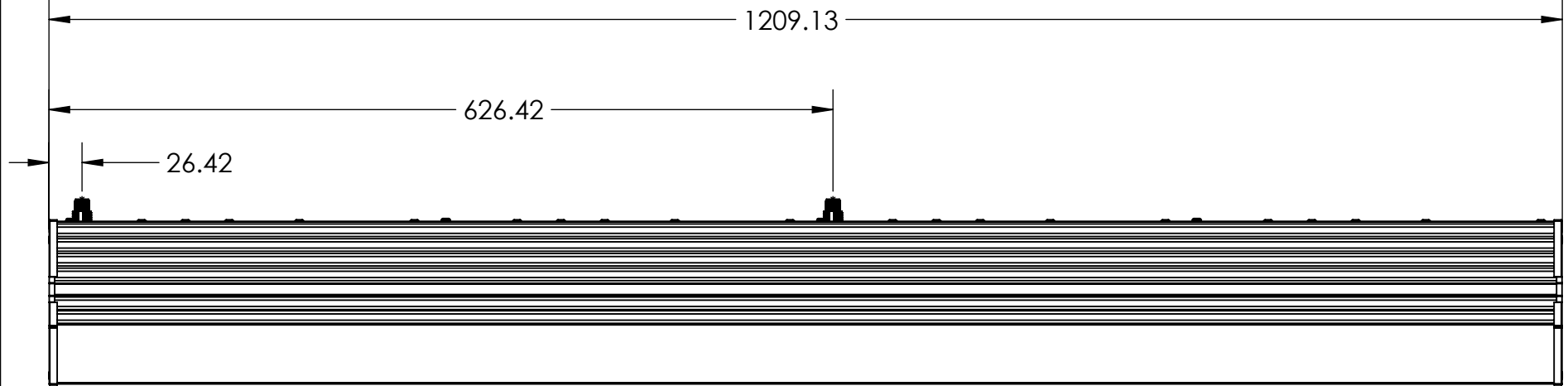
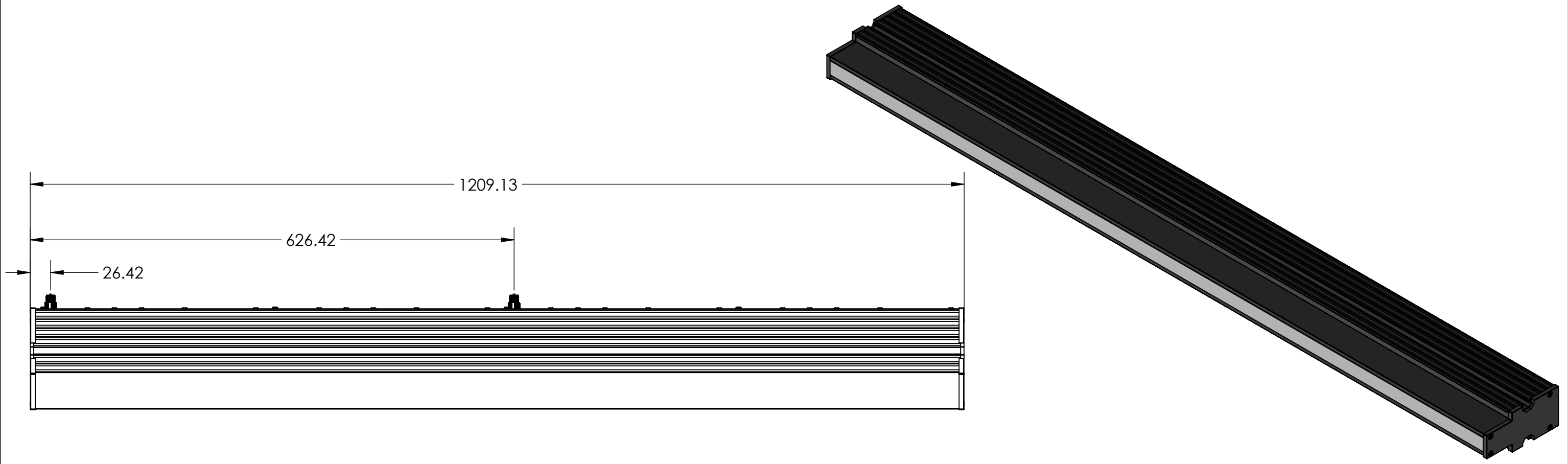
3

2

1

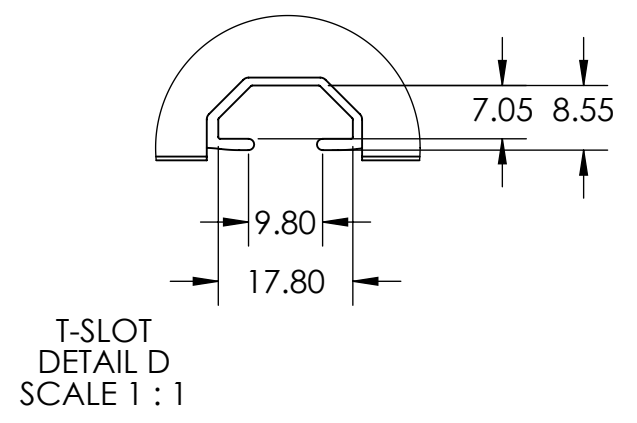
B

B



A

A



UNLESS OTHERWISE SPECIFIED:

DIMENSIONS ARE IN MM		NAME	DATE
TOLERANCES:		DRAWN	LS 2/16/2021
FRACTIONAL ±		CHECKED	2/16/2021
ANGULAR: BEND ± 3°		ENG APPR.	2/16/2021
ONE PLACE DECIMAL ±.1		MFG APPR.	2/16/2021
TWO PLACE DECIMAL ±.13			
THREE PLACE DECIMAL ±.127			
INTERPRET GEOMETRIC TOLERANCING PER:		Q.A.	
MATERIAL		COMMENTS:	
FINISH		UNITS ARE IN MILLIMETERS	
DO NOT SCALE DRAWING			

PROPRIETARY AND CONFIDENTIAL
 THE INFORMATION CONTAINED IN THIS DRAWING IS THE SOLE PROPERTY OF SmartVisionLights. ANY REPRODUCTION IN PART OR AS A WHOLE WITHOUT THE WRITTEN PERMISSION OF SmartVisionLights IS PROHIBITED.

smart vision lights

SVL PART NO.
LCHPX-1200mm

SIZE	ENG DWG NO.	REV
B	LCHPX	1
SCALE: 1:5	WEIGHT:	SHEET 1 OF 1