

4

3

2

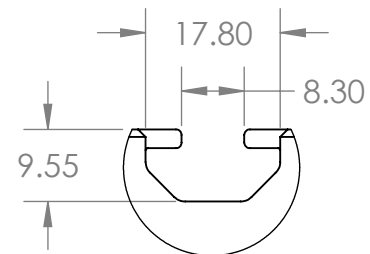
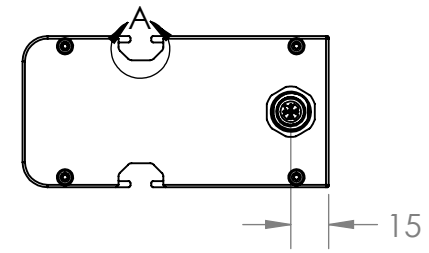
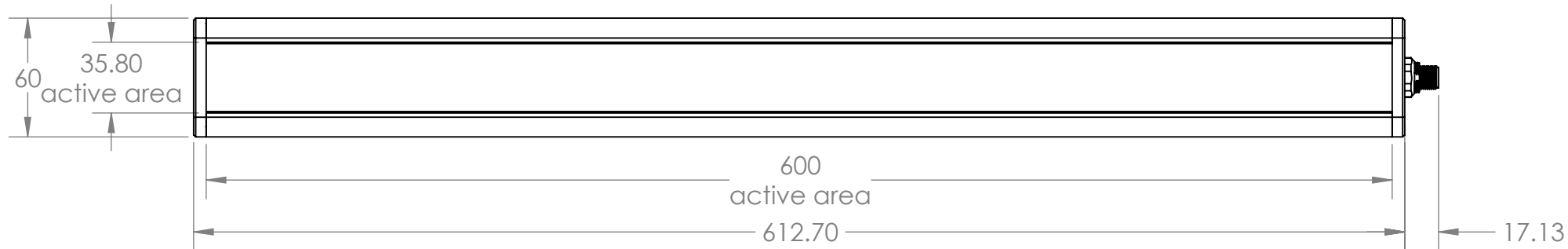
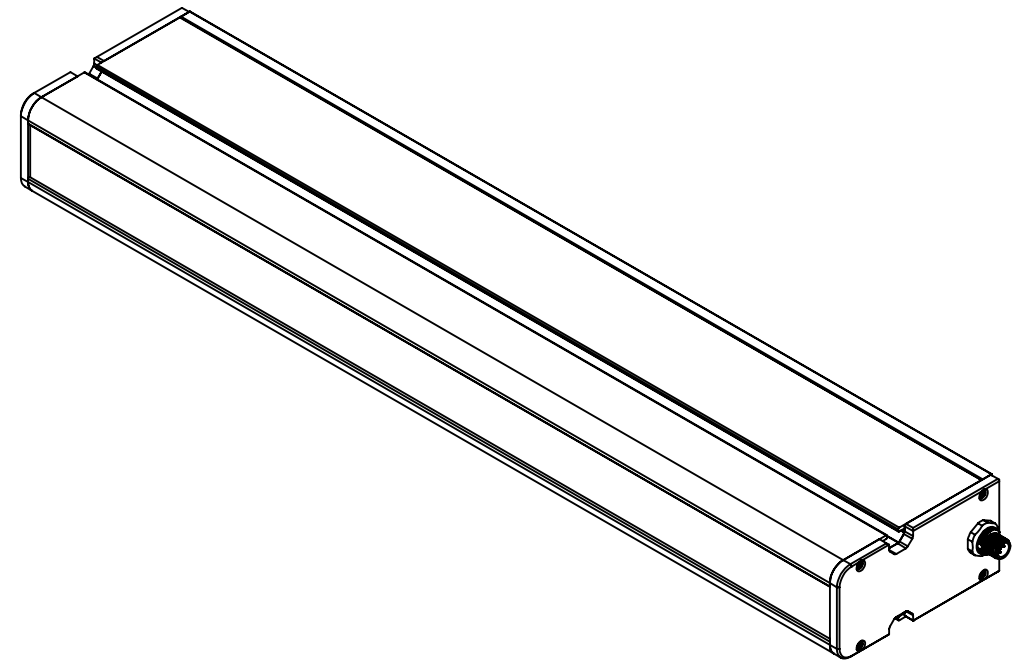
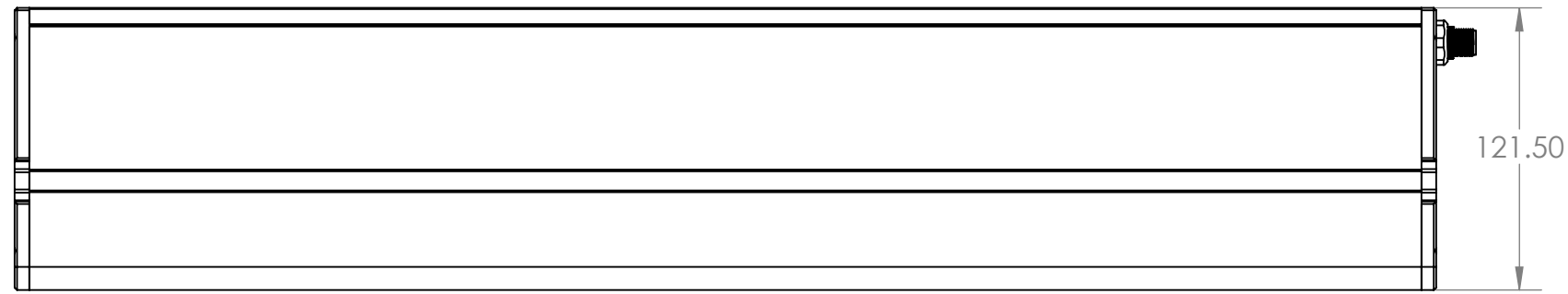
1

B

B

A

A



Mounting Rail  
DETAIL A  
SCALE 1 : 1

UNLESS OTHERWISE SPECIFIED:

DIMENSIONS ARE IN MM  
TOLERANCES:  
FRACTIONAL ±  
ANGULAR: BEND ±  
TWO PLACE DECIMAL ±  
THREE PLACE DECIMAL ±

INTERPRET GEOMETRIC  
TOLERANCING PER:

MATERIAL

FINISH

DO NOT SCALE DRAWING

	NAME	DATE
DRAWN	NC	12/14/2016
CHECKED	MP	12/14/2016
ENG APPR.	MP	12/14/2016
MFG APPR.	MP	12/14/2016
Q.A.		

COMMENTS:

UNITS ARE IN  
MILLIMETERS



TITLE:  
SmartVisionLights.com

SIZE	DWG. NO.	REV
<b>B</b>	LCHP-600	<b>1</b>

SCALE: 1:3 WEIGHT: SHEET 1 OF 1

**PROPRIETARY AND CONFIDENTIAL**  
THE INFORMATION CONTAINED IN THIS  
DRAWING IS THE SOLE PROPERTY OF  
SmartVisionLights. ANY  
REPRODUCTION IN PART OR AS A WHOLE  
WITHOUT THE WRITTEN PERMISSION OF  
SmartVisionLights IS PROHIBITED.

4

3

2

1