

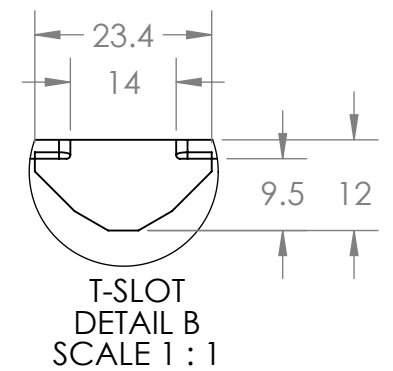
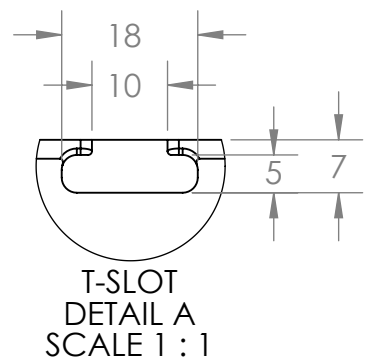
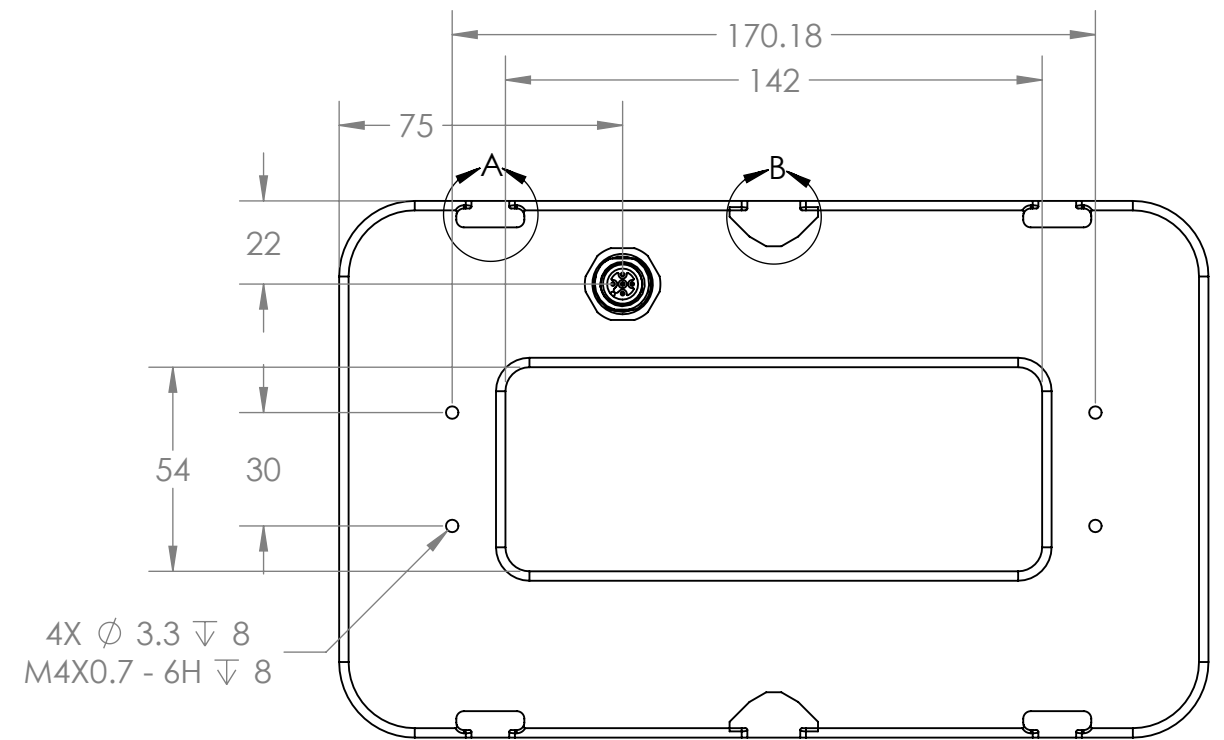
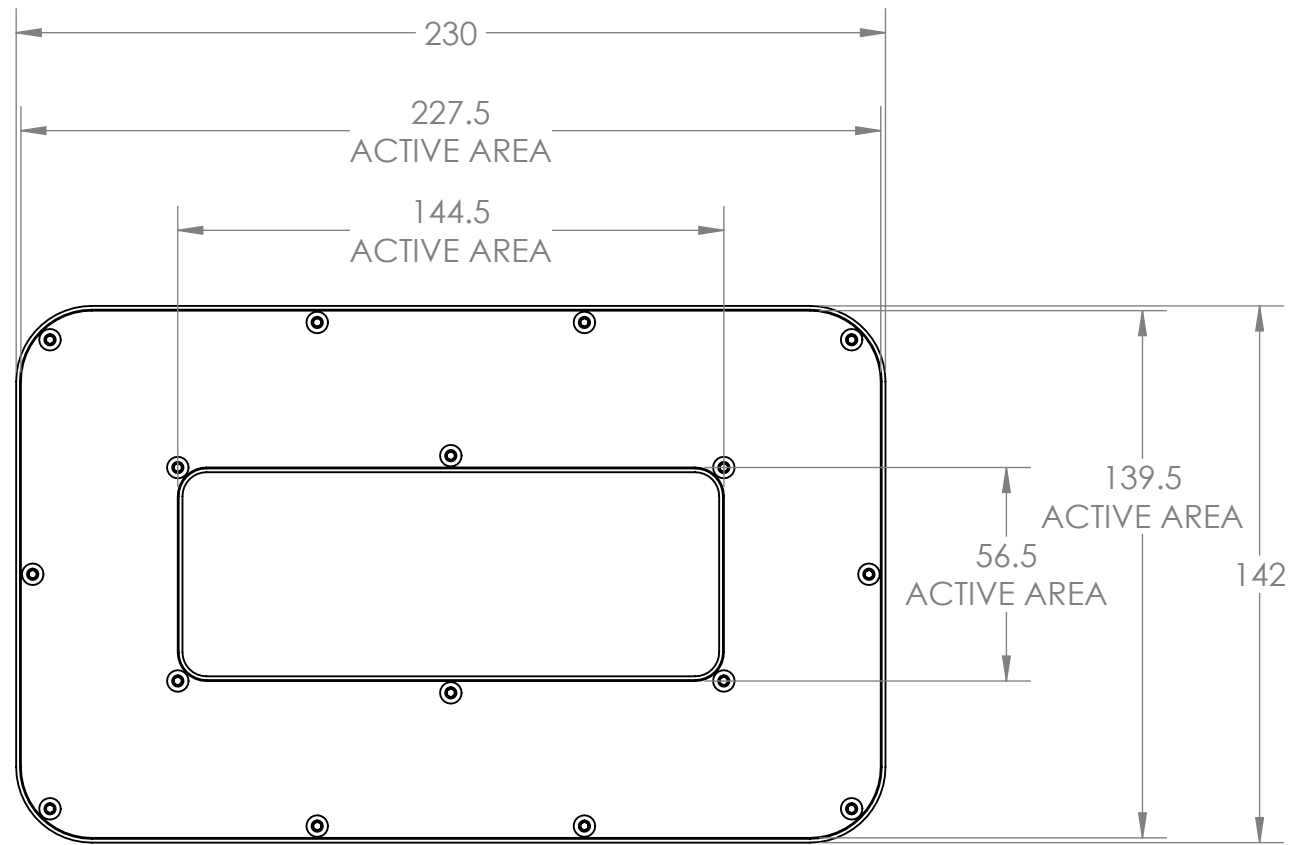
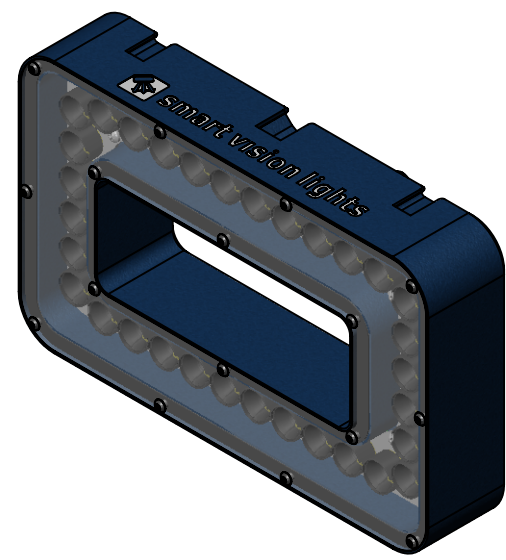
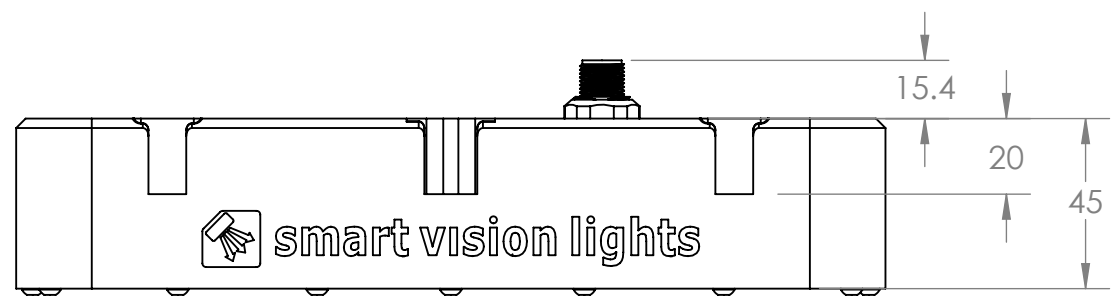
4

3

2

1

REVISIONS				
DRAWN BY	REV.	DESCRIPTION	DATE	APPROVED
NC	1	INITIAL RELEASE	8/30/2022	MP



PROPRIETARY AND CONFIDENTIAL
THE INFORMATION CONTAINED IN THIS DRAWING IS THE SOLE PROPERTY OF SmartVisionLights. ANY REPRODUCTION IN PART OR AS A WHOLE WITHOUT THE WRITTEN PERMISSION OF SmartVisionLights IS PROHIBITED.

UNLESS OTHERWISE SPECIFIED:		NAME	DATE
DIMENSIONS ARE IN MM		DRAWN	NC 8/30/2022
TOLERANCES:		CHECKED	MP 8/30/2022
FRACTIONAL \pm		ENG APPR.	MP 8/30/2022
ANGULAR: BEND \pm 3°		MFG APPR.	MP 8/30/2022
TWO PLACE DECIMAL \pm .13		Q.A.	
THREE PLACE DECIMAL \pm .127		COMMENTS:	
INTERPRET GEOMETRIC TOLERANCING PER:		UNITS ARE IN MILLIMETERS	
MATERIAL 6061-T6			
FINISH POWDERCOAT			
DO NOT SCALE DRAWING		SCALE: 1:2	WEIGHT:

smart vision lights
SVL PART NO.
JWL225-DO

SIZE B	ENG DWG NO. JWL225-DO	REV 1
SCALE: 1:2		WEIGHT:
		SHEET 1 OF 1

4

3

2

1