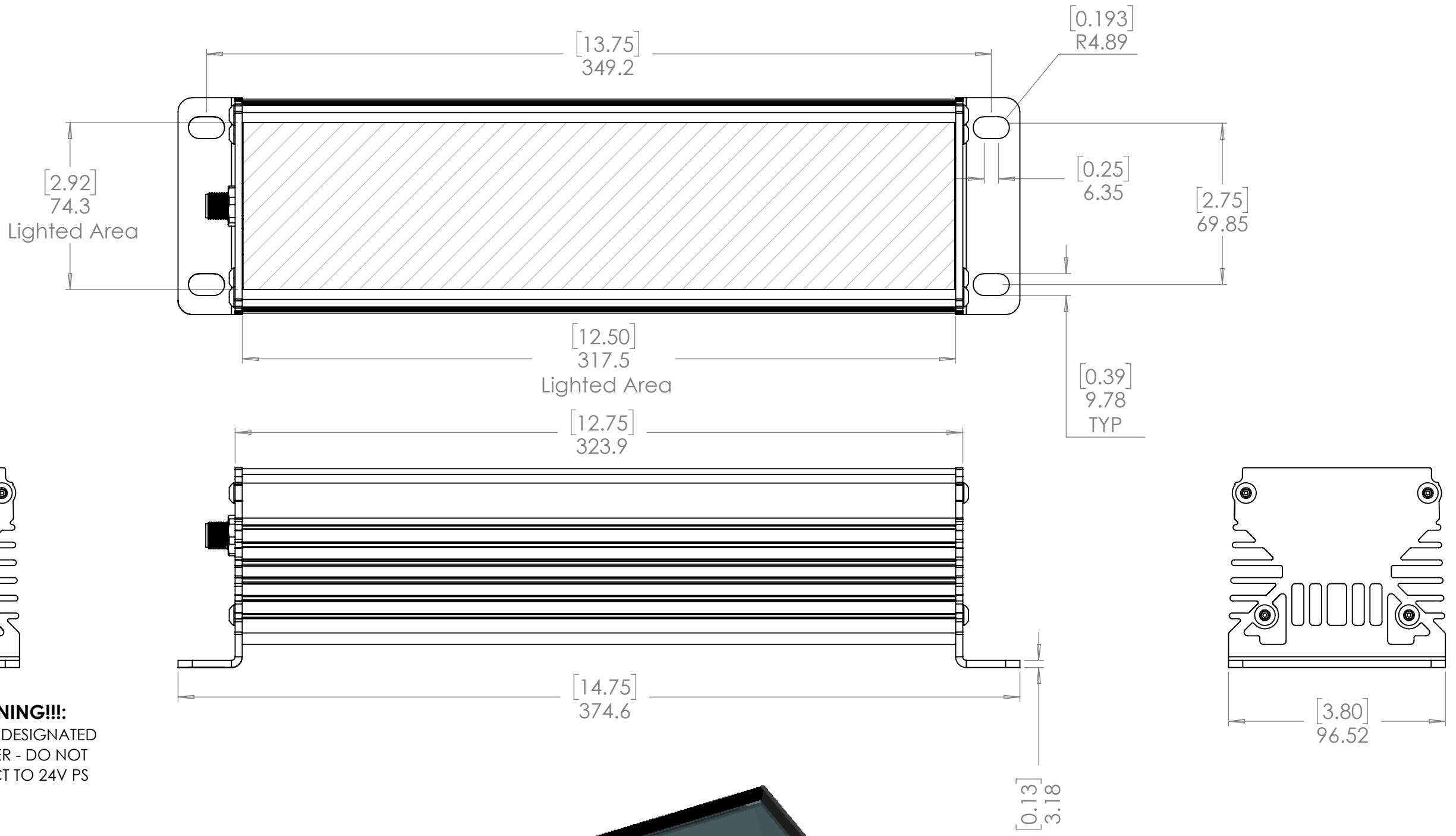


4

3

2

1

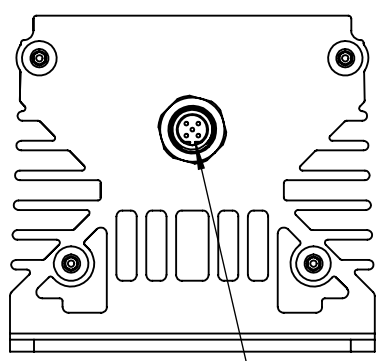


B

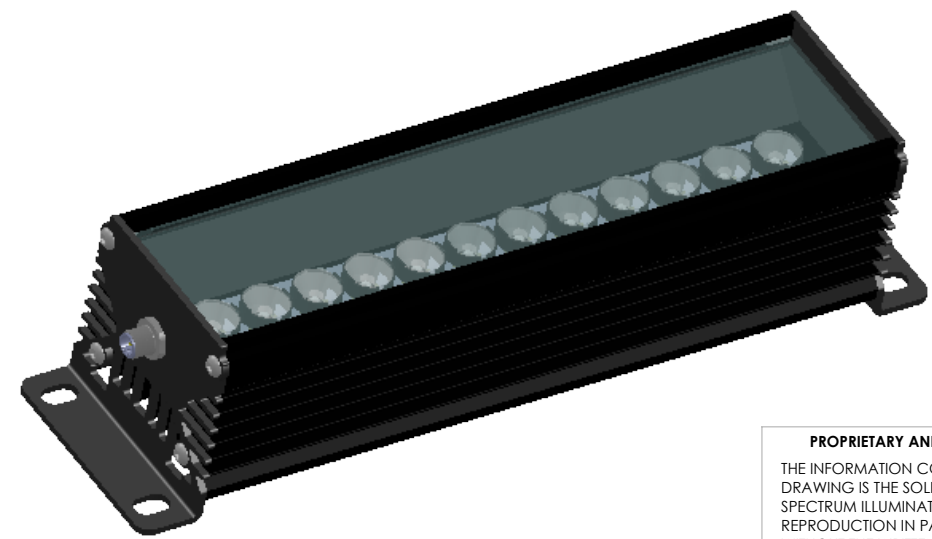
B

A

A



**WARNING!!!:**  
 USE ONLY DESIGNATED  
 S.I. DRIVER - DO NOT  
 CONNECT TO 24V PS



**PROPRIETARY AND CONFIDENTIAL**  
 THE INFORMATION CONTAINED IN THIS  
 DRAWING IS THE SOLE PROPERTY OF  
 SPECTRUM ILLUMINATION INC. ANY  
 REPRODUCTION IN PART OR AS A WHOLE  
 WITHOUT THE WRITTEN PERMISSION OF  
 SPECTRUM ILLUMINATION INC IS  
 PROHIBITED.

UNLESS OTHERWISE SPECIFIED:	NAME	DATE
DIMENSIONS ARE IN [INCHES] mm	DRAWN	DJH 06/10/20
TOLERANCES:	CHECKED	-
ANGULAR: MACH ± BEND ±	ENG APPR.	
TWO PLACE DECIMAL ±0.020	MFG APPR.	
THREE PLACE DECIMAL ±0.010	Q.A.	
FOUR PLACE DECIMAL ±0.005	COMMENTS:	
INTERPRET GEOMETRIC TOLERANCING PER:		
MATERIAL		
FINISH		
DO NOT SCALE DRAWING		

**SPECTRUM ILLUMINATION**  
 5114 INDUSTRIAL PARK RD.  
 MONTAGUE, MI 49437

Description:  
 HLL111.5 Linear Light

SIZE	DWG. NO.	REV
<b>B</b>	HLL111.5-XXX	<b>A</b>

SCALE: 1:2 WEIGHT: SHEET 1 OF 1

4

3

2

1