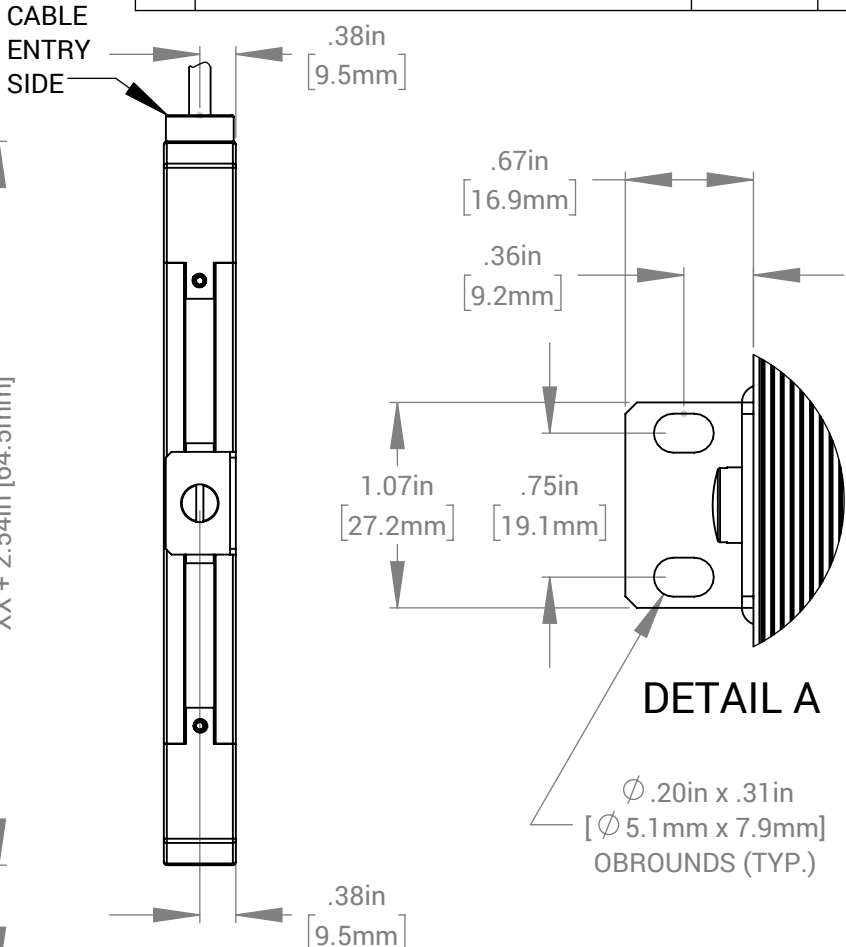
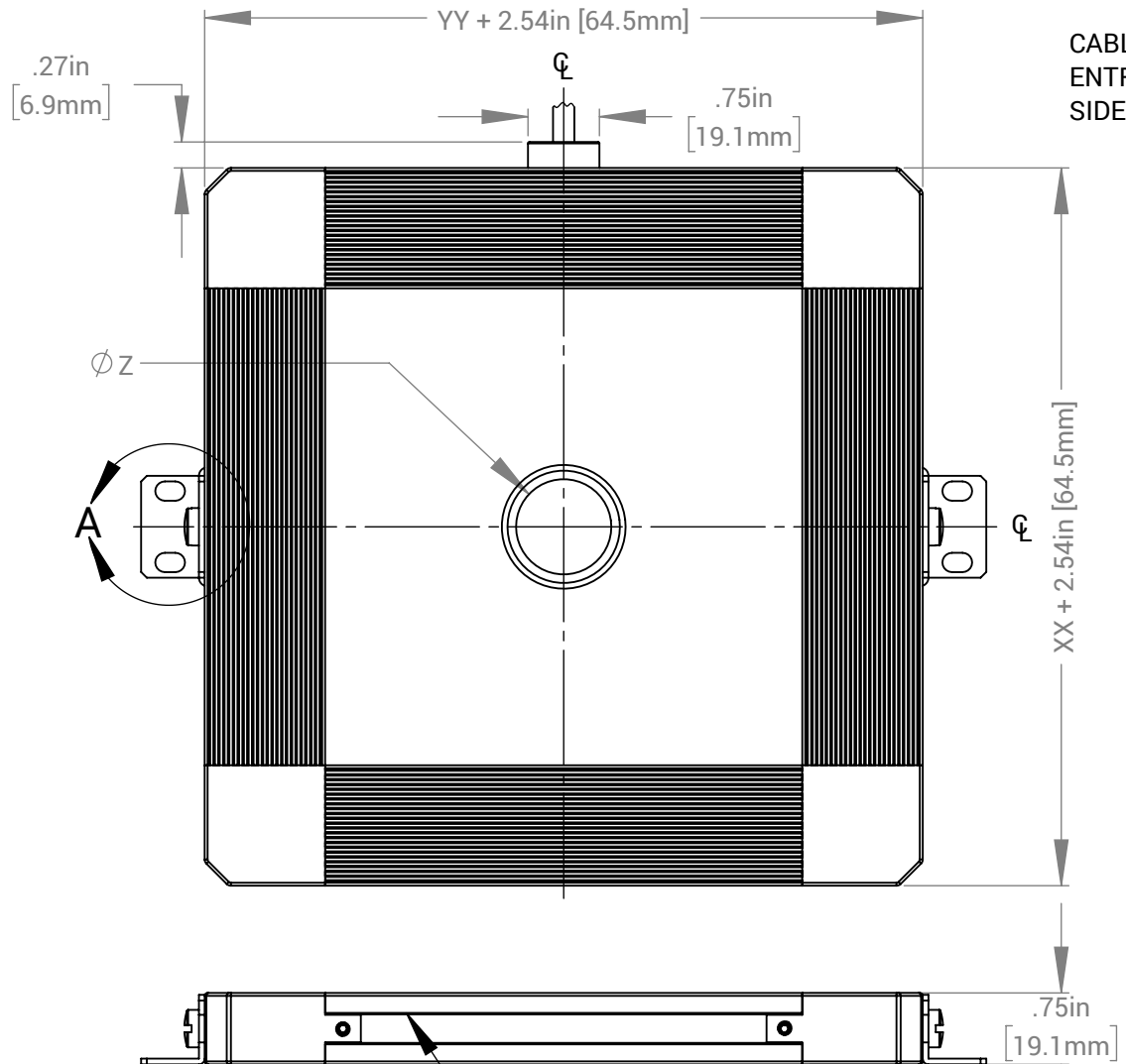


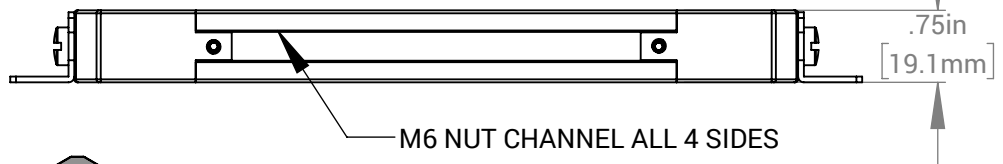
| REVISIONS | | | |
|-----------|---------------------------|------|--------|
| REV. | DESCRIPTION | DATE | DCN NO |
| - | FOR QUOTING PURPOSES ONLY | | |



DETAIL A

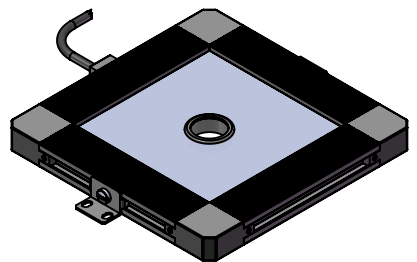
ϕ .20in x .31in
[ϕ 5.1mm x 7.9mm]
OBROUNDS (TYP.)

Z = HOLE DIAMETER IN
1/4" INCREMENTS FROM
1/4" TO 3"



M6 NUT CHANNEL ALL 4 SIDES

8" x 8" UNIT WEIGHT: 3.22 lbs



FOR REFERENCE ONLY

PROPRIETARY AND CONFIDENTIAL
THESE DRAWINGS AND SPECIFICATIONS ARE THE EXCLUSIVE PROPERTIES OF ADVANCED ILLUMINATION INCORPORATED ISSUED IN STRICT CONFIDENCE AND SHALL NOT, WITHOUT THE PRIOR WRITTEN PERMISSION OF ADVANCED ILLUMINATION INC BE REPRODUCED, COPIED OR USED FOR ANY PURPOSE WHATSOEVER EXCEPT FOR THE MANUFACTURE OF ARTICLES FOR ADVANCED ILLUMINATION INC

| | | | | | | |
|--------------|---------|---|--|-----------|---------|--|
| CUT USING: - | | UNLESS OTHERWISE SPECIFIED: | | DATE | NAME | 440 STATE GARAGE ROAD, ROCHESTER, VERMONT 05767 |
| | | SURFACE SHOULD BE FREE OF SCRATCHES, BURRS, AND DENTS | | 08-OCT-13 | K. KING | |
| | | DIMENSIONS ARE IN: INCHES | | | | |
| | | TOLERANCES | | | | |
| | | FRACTIONAL \pm 1/16 | | | | TITLE: DRAWING, INSTALLATION, FXXXYY |
| | | ANGULAR: MACH \pm 1 BEND \pm 1 | | | | |
| | | TWO PLACE DECIMAL \pm .010 | | | | SIZE DWG. NO. REV A FXXXYY - |
| | | THREE PLACE DECIMAL \pm .005 | | | | SCALE: NTS C CODE: - SHEET 1 OF 1 |
| NEXT ASSY | USED ON | MAKE FROM | | | | |
| APPLICATION | | | | | | |