

[2.247]  
57.06

[2.362]  
60

[1.772]  
45.000

Lighted Area

[2.684]  
68.17

[2.757]  
70.02

4 x Ø 4.20 [0.165] THRU  
Can be threaded for  
M5x0.8 [10-32 UNF] THRU

[1.417]  
36

[5.906]  
150

[0.965]  
24.50

[7.665]  
194.70

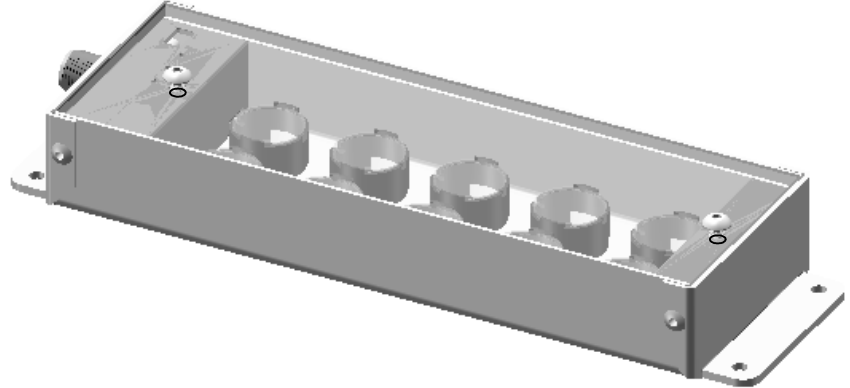
[8.287]  
210.500

[1.181]  
30

3 meter mating  
cable included

[8.799]  
223.50

[0.094]  
2.38



**PROPRIETARY AND CONFIDENTIAL**  
THE INFORMATION CONTAINED IN THIS  
DRAWING IS THE SOLE PROPERTY OF  
SPECTRUM ILLUMINATION COMPANY INC. ANY  
REPRODUCTION IN PART OR AS A WHOLE  
WITHOUT THE WRITTEN PERMISSION OF  
SPECTRUM ILLUMINATION COMPANY INC. IS  
PROHIBITED.

UNLESS OTHERWISE SPECIFIED:		NAME	DATE
DIMENSIONS ARE IN MILLIMETERS /(INCHES)	DRAWN	DDM	12/1/2010
TOLERANCES: ANGULAR: MACH± BEND ± TWO PLACE DECIMAL ±0.5mm THREE PLACE DECIMAL ±0.1mm	CHECKED		
	ENG APPR.		
	MFG APPR.		
INTERPRET GEOMETRIC TOLERANCING PER:	Q.A.		
MATERIAL	COMMENTS:		
FINISH			
DO NOT SCALE DRAWING			

**SPECTRUM ILLUMINATION**  
5114 INDUSTRIAL PARK RD.  
MONTAGUE, MI 49437

SIZE	DWG. NAME	REV
<b>B</b>	EL2150 Complete	<b>A</b>
SCALE: 1:2	WEIGHT:	SHEET 1 OF 1